

Actuator

46-
290H.1000.7P8

Distribution by
Newark



<https://newark.eao.com/p/46-290H.1000.7P8>

Your product:



46-290H.1000.7P8 Actuator

FRONT

Front bezel material:	Plastic
Front form:	round
Front dimension:	Ø 29 mm
Front bezel colour:	Black

MOUNTING

Design:	raised
Mounting cut-out:	Ø 22.3 mm

ELECTRICAL CHARACTERISTICS

Protection class:	II
--------------------------	----

MECHANICAL CHARACTERISTIC

Switching positions:	2 positions
Switching angle:	60° right
Mechanical lifetime:	50 000 cycles of operation
Switching action:	Rest (a) - Maintained (a)
Tightening torque:	2 ... 3 Nm (17.7 ... 26.6 Lb-in)
Weight:	0.076 kg

AMBIENT CONDITION

IP front protection:	IP65
-----------------------------	------

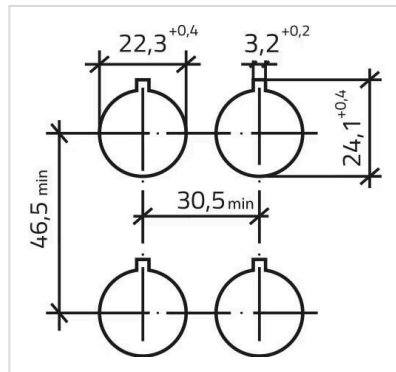
Vibration resistance:	5g f= 2...500Hz (EN-IEC 60068-2-6)
Operating temperature:	- 25 °C ... + 55 °C
Shock resistance:	30g, 18ms (EN-IEC 60068-2-27) 50g, 11ms (EN-IEC 60068-2-27)
Climate resistance:	+25°C-97%RH / +45°C-93%RH (IEC-EN60068-2-30)
IK front protection:	IK06

CERTIFICATE

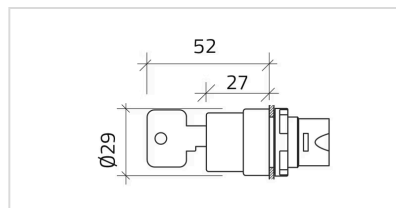
Standards:	CSA C22-2, IEC EN 60947-1, IEC EN 60947-5-1, UL508
Conformities:	CE
Approbations:	CSA, EAC, UL

OTHER

max. number of switching elements:	8
Housing material:	Plastic
Short Description:	Actuator, Ø 22.3 mm, Ø 29 mm, round, Black, Plastic, Rest (a) - Maintained (a), IP65, IK06
Housing colour:	Black
Mounting cut-outs:	



Dimension drawings:



Switching positions:

