

Actuator

46-
2T00.10N0.000

Distribution by
Newark



<https://newark.eao.com/p/46-2T00.10N0.000>

Your product:



46-2T00.10N0.000 Actuator

FRONT

Front bezel colour:	White
Front bezel material:	Plastic
Front form:	round
Front dimension:	Ø 29 mm

MOUNTING

Mounting cut-out:	Ø 22.3 mm
Design:	raised

OPERATING-/INDICATION PART

Lens cap material:	Plastic
Illumination colour:	White
Lens cap colour:	White
Lens cap shape:	flush
Lens cap optical effect:	transparent

ELECTRICAL CHARACTERISTICS

Protection class:	II
--------------------------	----

MECHANICAL CHARACTERISTIC

Weight:	0.009 kg
Tightening torque:	1 ... 2.5 Nm (8.8 ... 22.1 Lb-in)

AMBIENT CONDITION

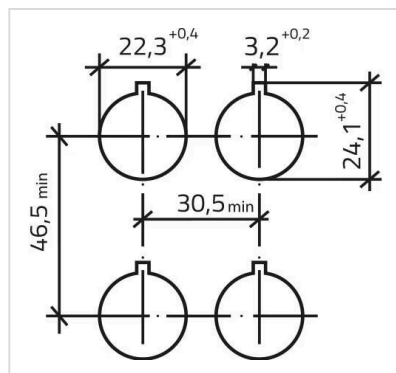
Vibration resistance:	5g f= 2...500Hz (EN-IEC 60068-2-6)
IK front protection:	IK03
Shock resistance:	30g, 18ms (EN-IEC 60068-2-27) 50g, 11ms (EN-IEC 60068-2-27)
IP front protection:	IP65
Operating temperature:	- 25 °C ... + 55 °C
Climate resistance:	+25°C-97%RH / +45°C-93%RH (IEC-EN60068-2-30)

CERTIFICATE

Approbations:	CSA, EAC, UL
Standards:	CSA C22-2, IEC EN 60947-1, IEC EN 60947-5-1, UL508
Conformities:	CE

OTHER

Housing colour:	White
Housing material:	Plastic
Short Description:	Actuator, Ø 22.3 mm, Ø 29 mm, round, White, Plastic, IP65, IK03, White
Mounting cut-outs:	



Dimension drawings:

