

Actuator

46-
2819.1CV0.008

Distribution by
Newark



<https://newark.eao.com/p/46-2819.1CV0.008>

Your product:



46-2819.1CV0.008 Actuator

FRONT

Front bezel material:	Plastic
Front dimension:	Ø 29 mm
Front form:	round
Front bezel colour:	Black

MOUNTING

Mounting cut-out:	Ø 22.3 mm
Design:	raised

OPERATING-/INDICATION PART

Lever colour:	Black
Lever material:	plastic
Lever bar colour:	White
Lever shape:	short

ELECTRICAL CHARACTERISTICS

Protection class:	II
--------------------------	----

MECHANICAL CHARACTERISTIC

Switching action:	Maintained - Rest - Maintained
Tightening torque:	2 ... 3 Nm (17.7 ... 26.6 Lb-in)
Switching angle:	60° left / 60° right

Mechanical lifetime: 1 Mio. cycles of operation
Weight: 0.027 kg
Switching positions: 3 positions

AMBIENT CONDITION

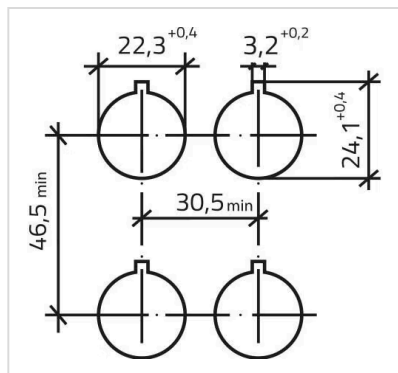
Operating temperature: - 25 °C ... + 55 °C
IK front protection: IK06
Shock resistance: 30g, 18ms (EN-IEC 60068-2-27)
50g, 11ms (EN-IEC 60068-2-27)
Vibration resistance: 5g f= 2...500Hz (EN-IEC 60068-2-6)
IP front protection: IP65
Climate resistance: +25°C-97%RH / +45°C-93%RH (IEC-EN60068-2-30)

CERTIFICATE

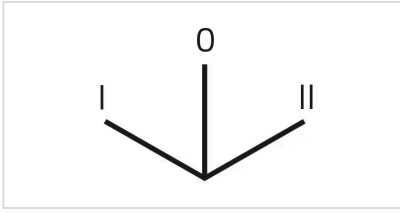
Standards: CSA C22-2, IEC EN 60947-1, IEC EN 60947-5-1, UL508
Conformities: CE
Approbations: CSA, EAC, UL

OTHER

Housing colour: Black
Short Description: Actuator, Ø 22.3 mm, Ø 29 mm, non illuminative, Black, short, round, Black, Plastic, Maintained - Rest - Maintained, IP65, IK06
Housing material: Plastic
max. number of switching elements: 8
Mounting cut-outs:



Switching positions:



Dimension drawings:

