

Actuator

46-
2234.11H0.000

Distribution by
Newark



<https://newark.eao.com/p/46-2234.11H0.000>

Your product:



46-2234.11H0.000 Actuator

FRONT

Front bezel colour:	Black
Front form:	round
Front dimension:	Ø 29 mm
Front bezel material:	Plastic

MOUNTING

Mounting cut-out:	Ø 22.3 mm
Design:	raised

OPERATING-/INDICATION PART

Lens material:	Plastic
Lens optics:	transparent
Lens shape:	flush
Lens illumination:	illuminative
Lens colour:	Green

ELECTRICAL CHARACTERISTICS

Protection class:	II
--------------------------	----

MECHANICAL CHARACTERISTIC

Weight:	0.019 kg
Tightening torque:	2 ... 3 Nm (17.7 ... 26.6 Lb-in)

Mechanical lifetime: 500 000 cycles of operation

Switching action: Maintained

AMBIENT CONDITION

Climate resistance: +25°C-97%RH / +45°C-93%RH (IEC-EN60068-2-30)

IP front protection: IP65

Vibration resistance: 5g f= 2...500Hz (EN-IEC 60068-2-6)

Shock resistance: 30g, 18ms (EN-IEC 60068-2-27)
50g, 11ms (EN-IEC 60068-2-27)

IK front protection: IK03

Operating temperature: - 25 °C ... + 55 °C

CERTIFICATE

Standards: CSA C22-2, IEC EN 60947-1, IEC EN 60947-5-1, UL508

Approbations: CSA, EAC, UL

Conformities: CE

OTHER

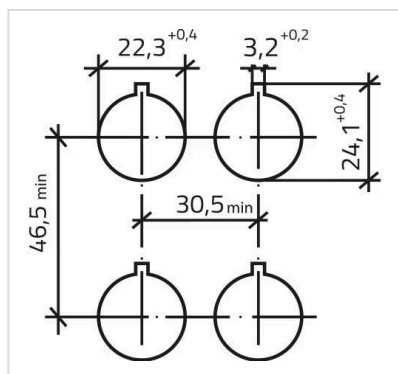
max. number of switching elements: 4

Housing colour: Black

Housing material: Plastic

Short Description: Actuator, Ø 22.3 mm, Ø 29 mm, flush, illuminative, Green, Plastic, transparent, round, Black, Plastic, Maintained, IP65, IK03

Mounting cut-outs:



Dimension drawings:

