

Actuator

46-
2828.1CV0.001

Distribution by
Newark



coming soon



<https://newark.eao.com/p/46-2828.1CV0.001>

Your product:

coming soon

46-2828.1CV0.001 Actuator

FRONT

| | |
|------------------------------|---------|
| Front bezel colour: | Black |
| Front bezel material: | Plastic |
| Front dimension: | Ø 29 mm |
| Front form: | round |

MOUNTING

| | |
|--------------------------|-----------|
| Design: | raised |
| Mounting cut-out: | Ø 22.3 mm |

OPERATING-/INDICATION PART

| | |
|--------------------------|---------|
| Lever shape: | short |
| Lever material: | plastic |
| Lever colour: | Black |
| Lever bar colour: | White |

ELECTRICAL CHARACTERISTICS

| | |
|--------------------------|----|
| Protection class: | II |
|--------------------------|----|

MECHANICAL CHARACTERISTIC

| | |
|-----------------------------|----------------------------------|
| Switching positions: | 2 positions |
| Switching action: | Maintained - Maintained |
| Tightening torque: | 2 ... 3 Nm (17.7 ... 26.6 Lb-in) |

Weight: 0.027 kg
Mechanical lifetime: 1 Mio. cycles of operation
Switching angle: 90°

AMBIENT CONDITION

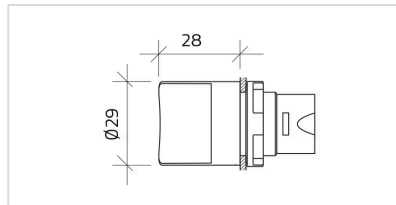
Climate resistance: +25°C-97%RH / +45°C-93%RH (IEC-EN60068-2-30)
IP front protection: IP65
Shock resistance: 30g, 18ms (EN-IEC 60068-2-27)
50g, 11ms (EN-IEC 60068-2-27)
IK front protection: IK06
Operating temperature: - 25 °C ... + 55 °C
Vibration resistance: 5g f= 2...500Hz (EN-IEC 60068-2-6)

CERTIFICATE

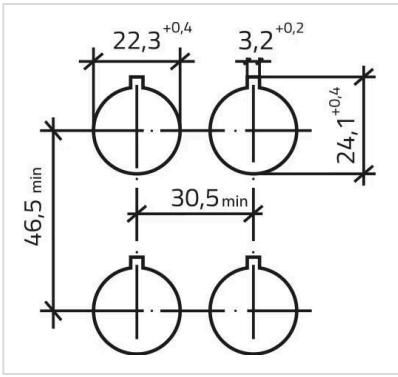
Standards: CSA C22-2, IEC EN 60947-1, IEC EN 60947-5-1, UL508
Approbations: CSA, EAC, UL
Conformities: CE

OTHER

Housing material: Plastic
Short Description: Actuator, Ø 22.3 mm, Ø 29 mm, non illuminative, Black, short, round, Black, Plastic, Maintained - Maintained, IP65, IK06
Housing colour: Black
max. number of switching elements: 8
Dimension drawings:



Mounting cut-outs:



Switching positions:

