

# Actuator

46-  
2C36.1M20.000

Distribution by  
Newark



<https://newark.eao.com/p/46-2C36.1M20.000>

Your product:

---



## 46-2C36.1M20.000 Actuator

### FRONT

**Front dimension:** Ø 32 mm

**Front form:** round

### MOUNTING

**Mounting cut-out:** Ø 22.3 mm

**Design:** raised

### OPERATING-/INDICATION PART

**Lens illumination:** non illuminative

**Lens colour:** Red

**Lens optics:** opaque

**Lens shape:** mushroom-head

**Lens material:** Plastic

### ELECTRICAL CHARACTERISTICS

**Protection class:** II

### MECHANICAL CHARACTERISTIC

**Weight:** 0.034 kg

**Release type:** Twist to unlock

**Tightening torque:** 2 ... 3 Nm (17.7 ... 26.6 Lb-in)

**Mechanical lifetime:** 50 000 cycles of operation

## AMBIENT CONDITION

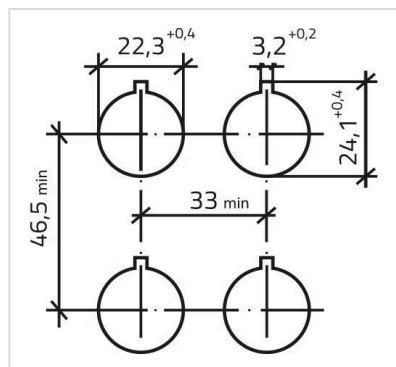
<b>Operating temperature:</b>	- 25 °C ... + 55 °C
<b>IP front protection:</b>	IP65
<b>Vibration resistance:</b>	5g f= 2...500Hz (EN-IEC 60068-2-6)
<b>IK front protection:</b>	IK03
<b>Climate resistance:</b>	+25°C-97%RH / +45°C-93%RH (IEC-EN60068-2-30)
<b>Shock resistance:</b>	30g, 18ms (EN-IEC 60068-2-27) 50g, 11ms (EN-IEC 60068-2-27)

## CERTIFICATE

<b>Standards:</b>	CSA C22-2, IEC EN 60947-1, IEC EN 60947-5-1, IEC EN 60947-5-5, UL508, UNI EN ISO 12100, UNI EN ISO 13850
<b>Conformities:</b>	CE
<b>Approbations:</b>	CSA, EAC, UL

## OTHER

<b>Short Description:</b>	Actuator, Ø 22.3 mm, Ø 32 mm, mushroom-head, non illuminative, Red, Plastic, opaque, round, IP65, IK03, Twist to unlock
<b>Housing material:</b>	Plastic
<b>max. number of switching elements:</b>	4
<b>Housing colour:</b>	Yellow
<b>Dimension:</b>	Ø 32 mm
<b>Mounting cut-outs:</b>	



**Dimension drawings:**

