

Actuator

46-
2844.4EV0.005

Distribution by
Newark



<https://newark.eao.com/p/46-2844.4EV0.005>

Your product:



46-2844.4EV0.005 Actuator

FRONT

Front dimension:	Ø 35 mm
Front bezel material:	Aluminium
Front bezel colour:	Silver
Front form:	round

MOUNTING

Design:	flush
Mounting cut-out:	Ø 30.5 mm

OPERATING-/INDICATION PART

Lever colour:	Black
Lever shape:	short
Lever bar colour:	White
Lever material:	plastic

ELECTRICAL CHARACTERISTICS

Protection class:	I
--------------------------	---

MECHANICAL CHARACTERISTIC

Switching action:	Rest - Momentary
Switching positions:	2 positions
Mechanical lifetime:	1 Mio. cycles of operation

Weight: 0.039 kg
Switching angle: 45° right
Tightening torque: 2 ... 3 Nm (17.7 ... 26.6 Lb-in)

AMBIENT CONDITION

Climate resistance: +25°C-97%RH / +45°C-93%RH (IEC-EN60068-2-30)
Operating temperature: - 25 °C ... + 55 °C
Shock resistance: 30g, 18ms (EN-IEC 60068-2-27)
50g, 11ms (EN-IEC 60068-2-27)
Vibration resistance: 5g f= 2...500Hz (EN-IEC 60068-2-6)
IP front protection: IP65
IK front protection: IK04

CERTIFICATE

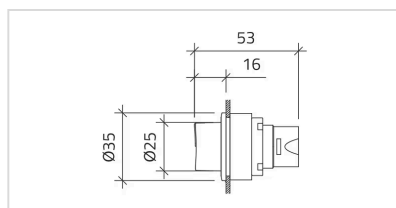
Conformities: CE
Standards: CSA C22-2, IEC EN 60947-1, IEC EN 60947-5-1, UL508
Approbations: CSA, UL

OTHER

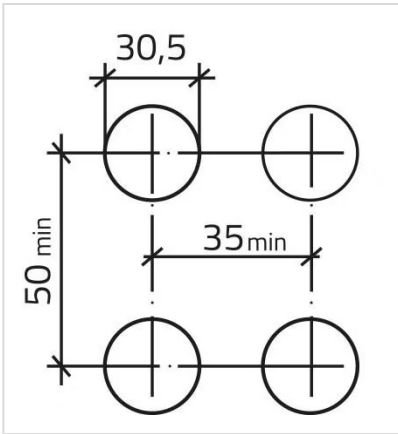
Housing material: Plastic
Housing colour: Black
max. number of switching elements: 6

Short Description: Actuator, Ø 30.5 mm, Ø 35 mm, non illuminative, Black, short, round, Silver, Aluminium, Rest - Momentary, IP65, IK04

Dimension drawings:



Mounting cut-outs:



Switching positions:

