

# Actuator

46-  
2828.4CV0.001

Distribution by  
Newark



coming soon



<https://newark.eao.com/p/46-2828.4CV0.001>

Your product:

---

coming soon

## 46-2828.4CV0.001 Actuator

### FRONT

<b>Front bezel colour:</b>	Silver
<b>Front dimension:</b>	Ø 35 mm
<b>Front bezel material:</b>	Aluminium
<b>Front form:</b>	round

### MOUNTING

<b>Mounting cut-out:</b>	Ø 30.5 mm
<b>Design:</b>	flush

### OPERATING-/INDICATION PART

<b>Lever colour:</b>	Black
<b>Lever bar colour:</b>	White
<b>Lever material:</b>	plastic
<b>Lever shape:</b>	short

### ELECTRICAL CHARACTERISTICS

<b>Protection class:</b>	I
--------------------------	---

### MECHANICAL CHARACTERISTIC

<b>Tightening torque:</b>	2 ... 3 Nm (17.7 ... 26.6 Lb-in)
<b>Mechanical lifetime:</b>	1 Mio. cycles of operation
<b>Weight:</b>	0.039 kg

**Switching positions:** 2 positions  
**Switching action:** Maintained - Maintained  
**Switching angle:** 90°

#### AMBIENT CONDITION

**IP front protection:** IP65  
**Vibration resistance:** 5g f= 2...500Hz (EN-IEC 60068-2-6)  
**Shock resistance:** 30g, 18ms (EN-IEC 60068-2-27)  
50g, 11ms (EN-IEC 60068-2-27)  
**Climate resistance:** +25°C-97%RH / +45°C-93%RH (IEC-EN60068-2-30)  
**Operating temperature:** - 25 °C ... + 55 °C  
**IK front protection:** IK04

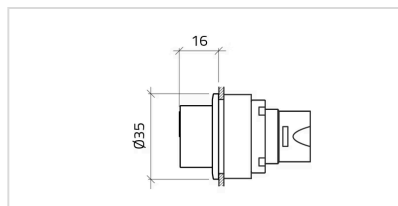
#### CERTIFICATE

**Approbations:** CSA, UL  
**Standards:** CSA C22-2, IEC EN 60947-1, IEC EN 60947-5-1, UL508  
**Conformities:** CE

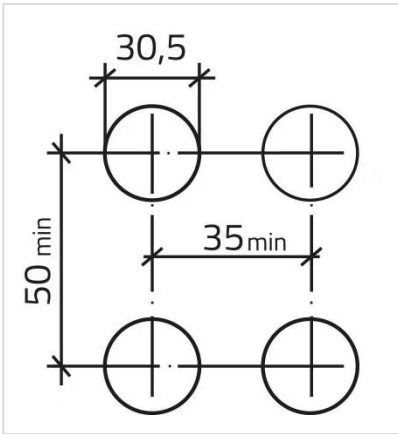
#### OTHER

**max. number of switching elements:** 6  
**Housing material:** Plastic  
**Housing colour:** Black  
**Short Description:** Actuator, Ø 30.5 mm, Ø 35 mm, non illuminative, Black, short, round, Silver, Aluminium, Maintained - Maintained, IP65, IK04

#### Dimension drawings:



#### Mounting cut-outs:



Switching positions:

