

Actuator

46-
2231.4FE0.000

Distribution by
Newark



<https://newark.eao.com/p/46-2231.4FE0.000>

Your product:



46-2231.4FE0.000 Actuator

FRONT

Front dimension:	Ø 35 mm
Front bezel material:	Aluminium
Front form:	round
Front bezel colour:	Silver

MOUNTING

Design:	flush
Mounting cut-out:	Ø 30.5 mm

OPERATING-/INDICATION PART

Lens material:	Plastic
Lens illumination:	illuminative
Lens optics:	transparent
Lens shape:	flush
Lens colour:	Red

ELECTRICAL CHARACTERISTICS

Protection class:	I
--------------------------	---

MECHANICAL CHARACTERISTIC

Weight:	0.035 kg
Mechanical lifetime:	1 Mio. cycles of operation

Tightening torque: 2 ... 3 Nm (17.7 ... 26.6 Lb-in)

Switching action: Momentary

AMBIENT CONDITION

Operating temperature: - 25 °C ... + 55 °C

IP front protection: IP65

Climate resistance: +25°C-97%RH / +45°C-93%RH (IEC-EN60068-2-30)

Shock resistance: 30g, 18ms (EN-IEC 60068-2-27)
50g, 11ms (EN-IEC 60068-2-27)

Vibration resistance: 5g f= 2...500Hz (EN-IEC 60068-2-6)

IK front protection: IK04

CERTIFICATE

Conformities: CE

Approbations: CSA, UL

Standards: CSA C22-2, IEC EN 60947-1, IEC EN 60947-5-1, UL508

OTHER

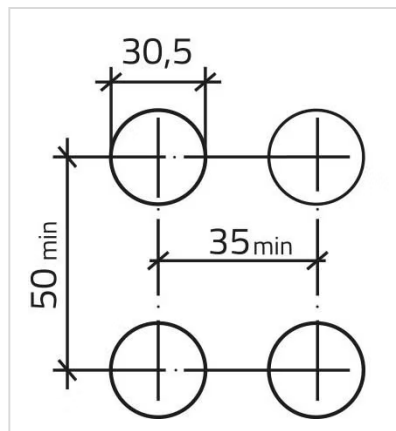
Housing material: Plastic

Housing colour: Black

Short Description: Actuator, Ø 30.5 mm, Ø 35 mm, flush, illuminative, Red, Plastic, transparent, round, Silver, Aluminium, Momentary, IP65, IK04

max. number of switching elements: 6

Mounting cut-outs:



Dimension drawings:

