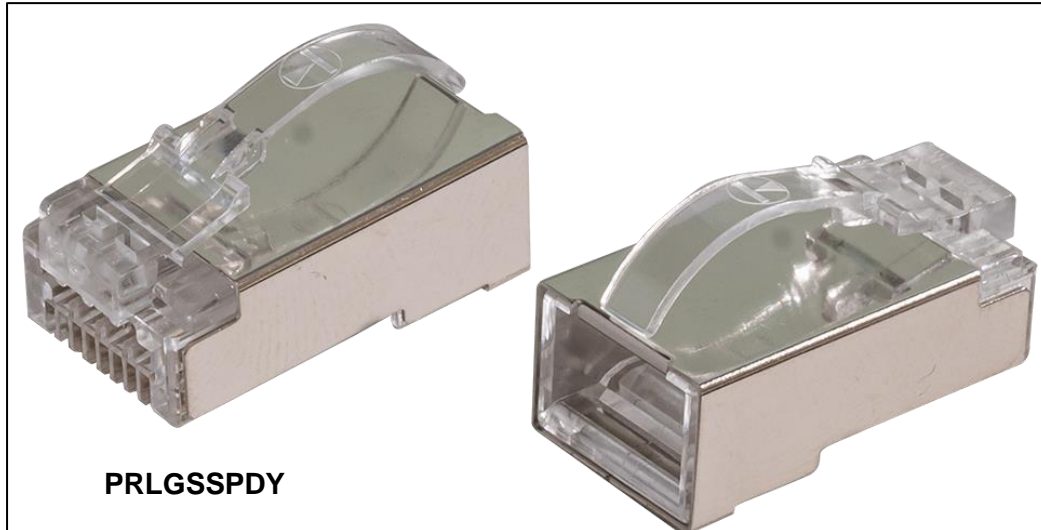


PREMIER Category 6 and 6a Shielded Anti-Snag Plug



Premier Category 6/6A SPEEDY RJ45 PREMIER Shielded Plug (PRLGSSPDY)

Our **SPEEDY** RJ45 PREMIER anti-snag arc-latch feedthrough plug for Cat 6 or Cat 6A shielded cable combines two innovations in the same item. The now-established feedthrough design simplifies twisted pair terminations while at the same time twist is maintained, enabling a better performing crimp. The new snagless latch design avoids the need for an anti-snag from the strain relief boot; leads can more easily be removed from panels or sockets without the encumbrance of rubber boots. Strain relief boots can be omitted without risking snagging.

Features

- Compliant with Category 6 and 6A patch cord standard
- Allows cores to be inserted through the body and pulled out of the front to ensure the correct wiring order before crimping. By pulling the cores into the plug, twists can easily be maintained up to the contacts, enabling fully rated category performance
- Snagless arc latch design avoids tangling and breakage of latch
- Able to accommodate Category 6A with overall cable O.D. up to 7.2mm
- Suitable for stranded or solid wire cores from 23-26 AWG (0.65 – 0.40mm), for inner cores up to 1.15mm O.D.
- Perfect solution for rapid termination; faults and failures minimised; less cable scrap and wastage
- Simple one piece design with no soldering required



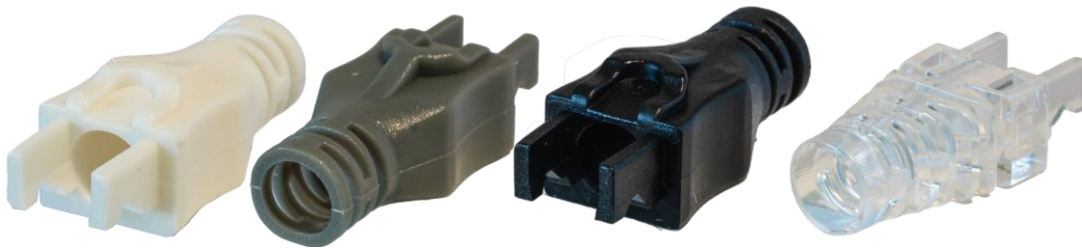
- Eliminate boots for limited space installation

N.B. Must be used with suitable crimp tool such as our [TRCSPDY5](#)



SPEEDY RJ45 PREMIER Designed for use with transparent polycarbonate flush strain relief boots ([PRSL5.5/6.5](#))

or coloured PVC strain relief boots ([PRSLBk/Gy/Wh](#))



Specifications

- Materials:
 - Housing: Polycarbonate UL94-V0
 - Contact pin: 50^oµ/1.27 µm gold plating over nickel over phosphor bronze
- Net weight including packaging 128g (carton of 50)

Packaging:

- Single use plastic minimised supplied in cardboard cartons of 50
- PRLGSSPDY: Dimensions including packaging 145 x 55 x 40mm

EAN number: 5055386511577

Commodity code: 85444920

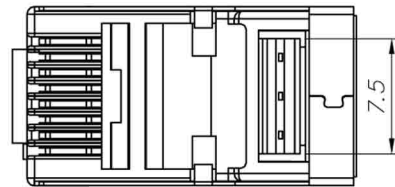
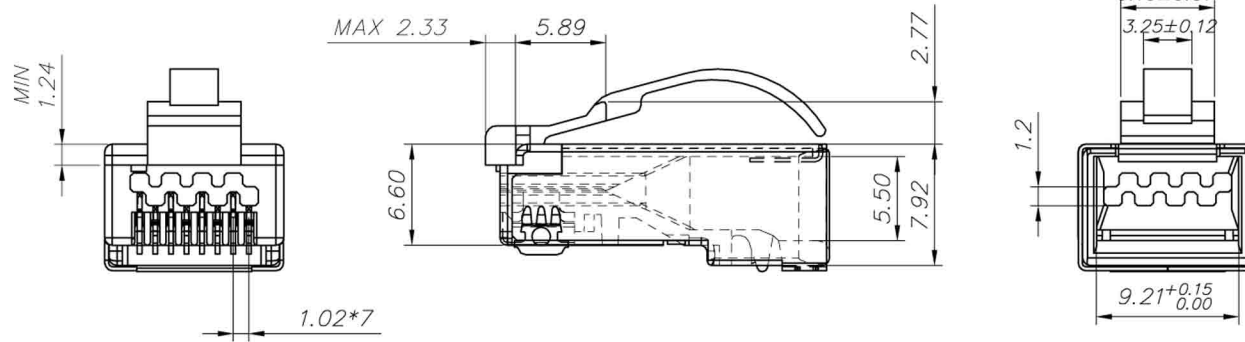
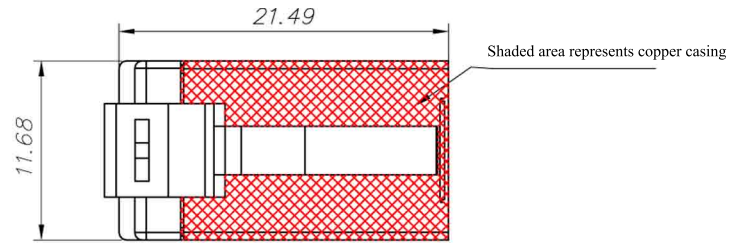
Country of origin: China



SPEEDY RJ45

ROHS Compliant

Code: PRLGSSPDY



BLADE:	ZD	Z
Drawing		
Mark	✓	✓

SPECIFICATIONS

1.ELECTRICAL:

- UL APPLICATIONS: 250 VOLTS AC MAX. AT 2 AMPS.
- DIELECTRIC WITHSTANDING VOLTAGE : 1000 VOLTS AC. 60 SEC.
- INSULATION RESISTANCE: 500 MΩ.
- CONTACT RESISTANCE: 20mΩ MAX.
- OPERATING AMBIENT TEMPERATURE: -40°C ~ 70°C.

2.MECHANICAL:

- STRAIN RELIEF: 20POUND MIN.
- DURABILITY: 1200 MATING CYCLES.



08/04/2024