

Actuator

46-
2134.1220.000

Distribution by
Farnell



<https://farnell.eao.com/p/46-2134.1220.000>

Your product:



46-2134.1220.000 Actuator

FRONT

Front dimension:	Ø 29 mm
Front bezel colour:	Black
Front bezel material:	Plastic
Front form:	round

MOUNTING

Design:	raised
Mounting cut-out:	Ø 22.3 mm

OPERATING-/INDICATION PART

Lens illumination:	non illuminative
Lens colour:	Red
Lens shape:	flush
Lens material:	Plastic
Lens optics:	opaque

ELECTRICAL CHARACTERISTICS

Protection class:	II
--------------------------	----

MECHANICAL CHARACTERISTIC

Tightening torque:	2 ... 3 Nm (17.7 ... 26.6 Lb-in)
Weight:	0.02 kg

Mechanical lifetime: 500 000 cycles of operation

Switching action: Maintained

AMBIENT CONDITION

Operating temperature: - 25 °C ... + 55 °C

IK front protection: IK03

Climate resistance: +25°C-97%RH / +45°C-93%RH (IEC-EN60068-2-30)

IP front protection: IP65

Vibration resistance: 5g f= 2...500Hz (EN-IEC 60068-2-6)

Shock resistance: 30g, 18ms (EN-IEC 60068-2-27)
50g, 11ms (EN-IEC 60068-2-27)

CERTIFICATE

Conformities: CE

Approbations: CSA, EAC, UL

Standards: CSA C22-2, IEC EN 60947-1, IEC EN 60947-5-1, UL508

OTHER

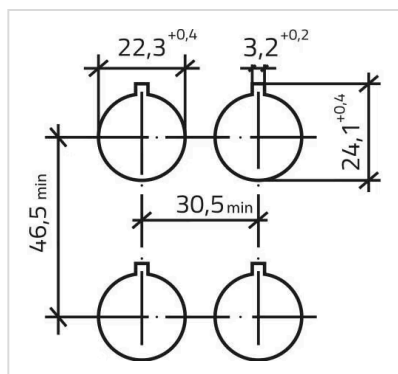
Short Description: Actuator, Ø 22.3 mm, Ø 29 mm, flush, non illuminative, Red, Plastic, opaque, round, Black, Plastic, Maintained, IP65, IK03

max. number of switching elements: 4

Housing material: Plastic

Housing colour: Black

Mounting cut-outs:



Dimension drawings:

