

GENERAL OPERATING CHARACTERISTICS

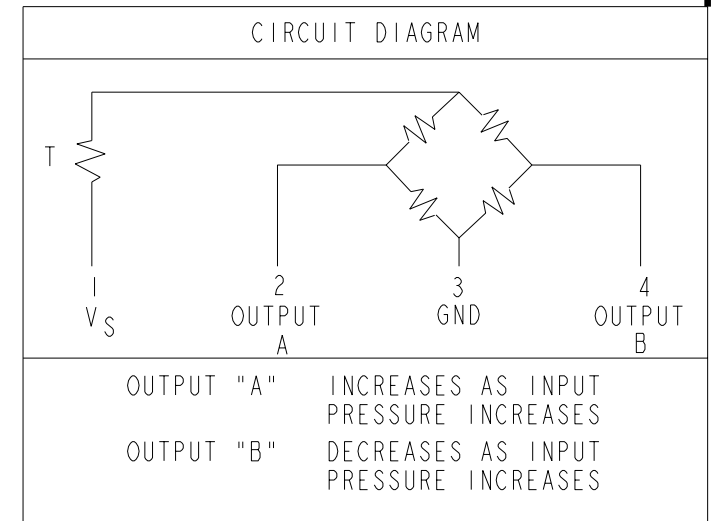
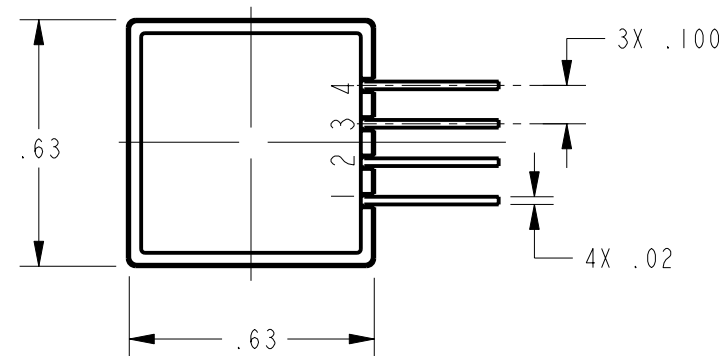
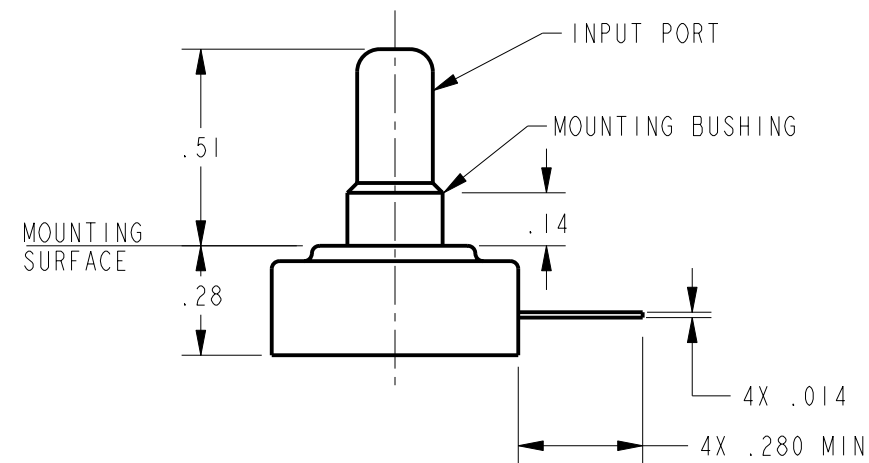
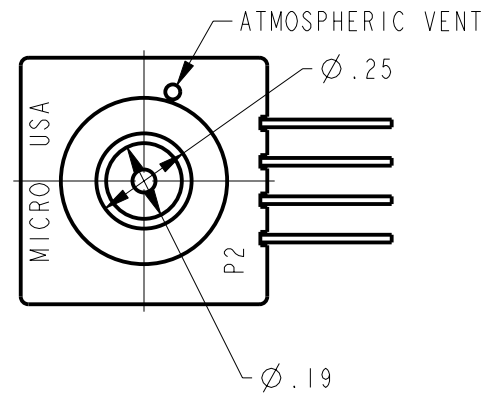
| | |
|--------------------|--------------------------------|
| PRESSURE RANGE | 0 TO 5170 mmHg (0 TO 100 PSIG) |
| OVERPRESSURE | 7755 mmHg (150 PSI) |
| TEMPERATURE RANGES | |
| STORAGE | -55° TO +125°C |
| OPERATE | -40° TO +85°C |
| COMPENSATED | 0°C TO +50°C |
| SUPPLY VOLTAGE | 16 VDC MAX |
| INPUT RESISTANCE | 6800 OHM TYP |

ELECTRICAL PERFORMANCE AT 10.00±.01 VDC SUPPLY AND +25°C

| | |
|----------------------------|----------------------------|
| NULL OFFSET | 0 ± 1 mV (AT 0 PSI) |
| F.S.O. ∇ | 100 ± 4 mV (0 TO 100 PSI) |
| LINEARITY (BFSL) | |
| INPUT > VENT | ± .4% F.S.O. MAX ∇ |
| HYSTERESIS & REPEATABILITY | ± .15% F.S.O. TYP ∇ |

TEMPERATURE ERROR (25°C TO 0°C OR 25°C TO 50°C)

| | |
|-------------------|----------------------------|
| NULL SHIFT | ± 2 mV MAX |
| SENSITIVITY SHIFT | ± 3.0% F.S.O. MAX ∇ |



NOTES

- 1 - TERMINALS ARE PLATED FOR SOLDERING
- 2 - LIMIT SOLDERING TO 315°C MAX FOR 10 SECONDS MAX
- 3 - F.S.O. IS THE ALGEBRAIC DIFFERENCE BETWEEN THE OUTPUT END POINTS (NULL AND FULL PRESSURE)
- 4 - INPUT MEDIA LIMITED ONLY TO THOSE MEDIA THAT WILL NOT ATTACK POLYESTER, SILICON OR EPOXY

| | |
|---|-------|
| THIRD ANGLE PROJECTION | |
| SCALE | 2:1 |
| DO NOT SCALE PRINT | |
| UNLESS OTHERWISE SPECIFIED TOLERANCES ARE | |
| ONE PLACE (.0) | ±.030 |
| TWO PLACE (.00) | ±.015 |
| THREE PLACE (.000) | ±.005 |
| ANGLES | ± |
| WEIGHT | |

CATALOG LISTING
136PC100G2
 PAGE 1 OF 1
 RELEASE NO. CO-77378
 REPLACES -
 ISSUE 2
 CHECK
 REVISIONS
 A 206110
 C S L
 1 AUG 02
 CHECK
 S A V
 1 AUG 02
 CHECK
 PTC/CAD 2D
 DRAWN
 C S L
 1 AUG 02
 CHECK