

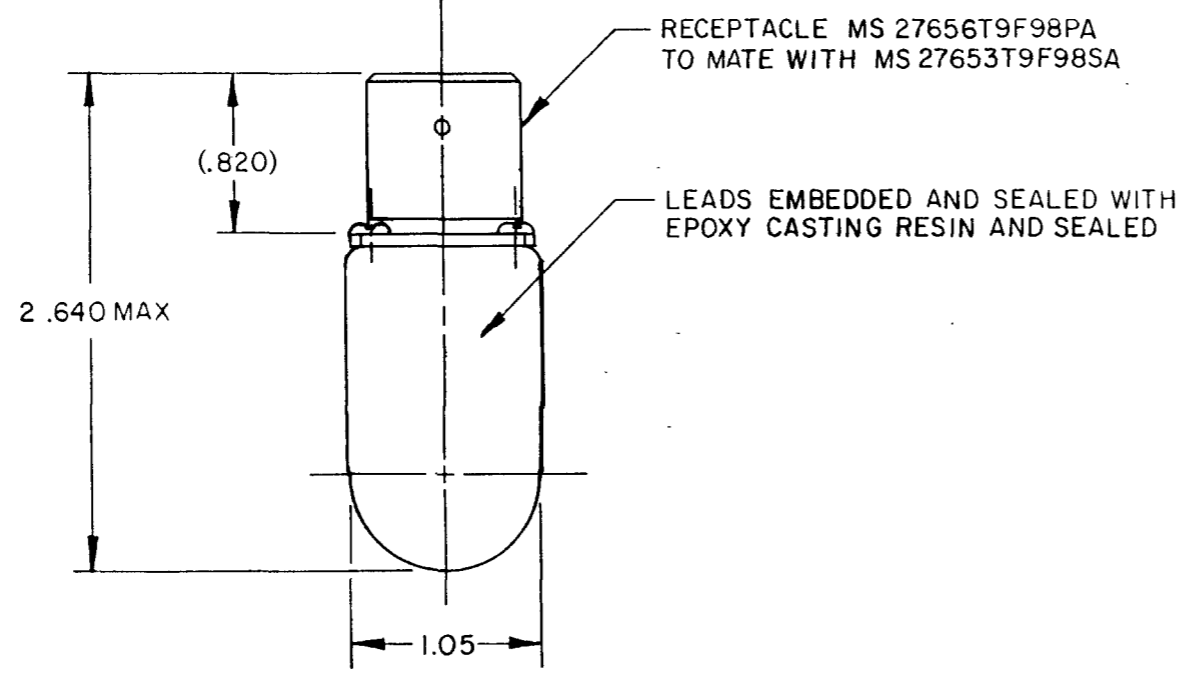
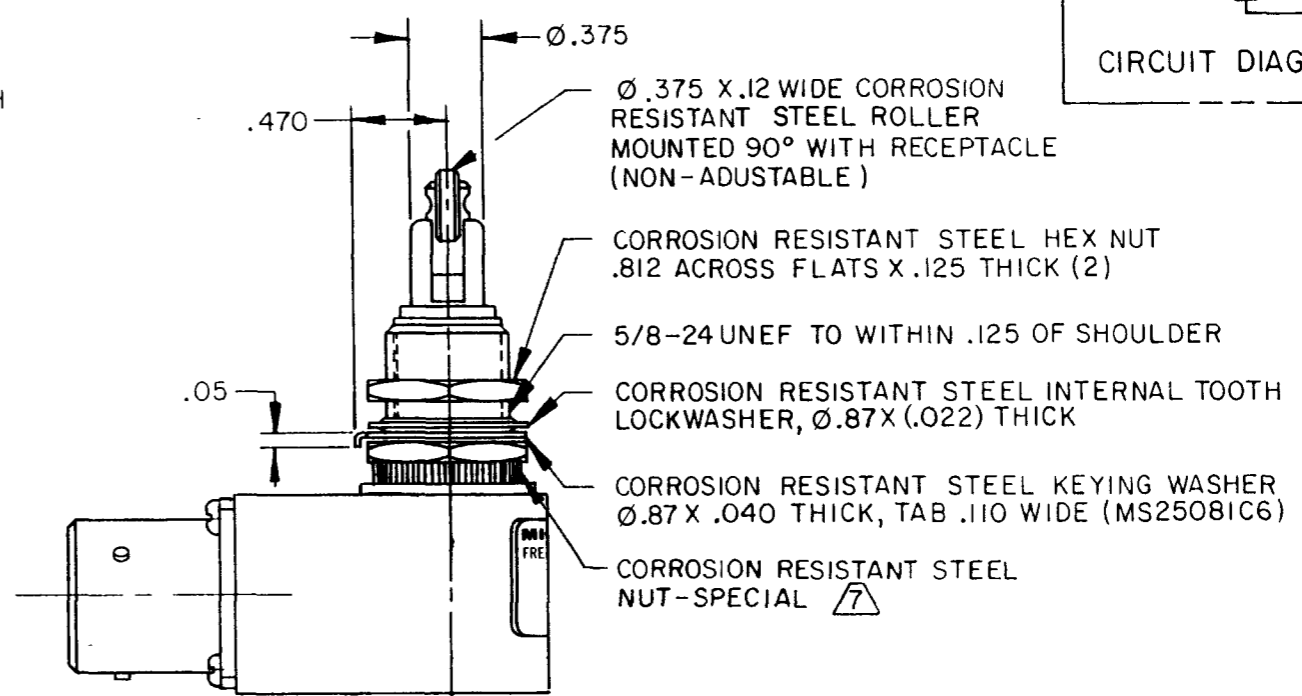
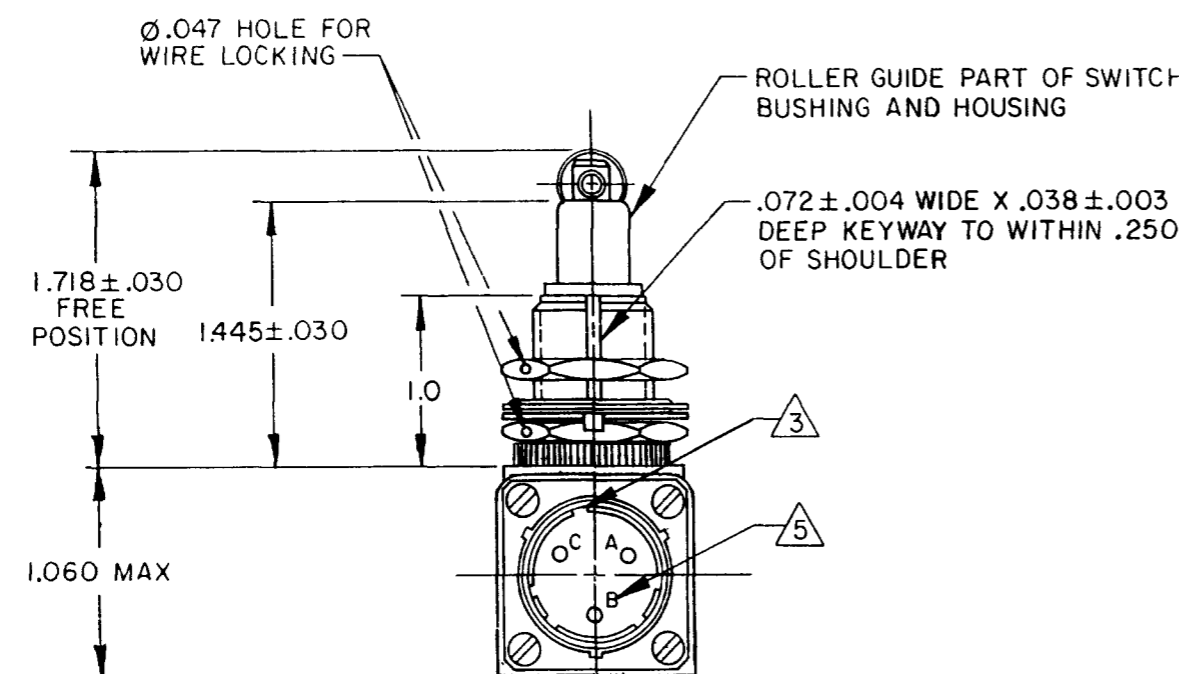
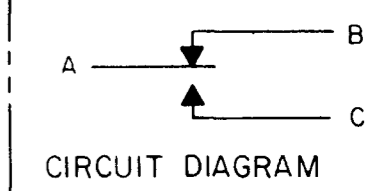
MICRO SWITCH

FREEPORT ILLINOIS U.S.A.
A DIVISION OF HONEYWELL

FED. MFG. CODE 91929

SWITCH—ENCLOSED

CATALOG LISTING
21EN321-R1



- NOTES**
- 1 - CORROSION RESISTANT STEEL ENCLOSURE
 - 2 - SWITCH SEALED PER MIL-PRF-8805 SYMBOL 4
 - 3 RECEPTACLE POLARIZING KEY POSITION
 - 4 - CAT. LIST., AND CIRCUIT IDENTIFICATION ARE SHOWN ON NAMEPLATE
 - 5 PIN LETTERS SHOWN FOR REFERENCE ONLY. THEY DO NOT NECESSARILY APPEAR ON RECEPTACLE
 - 6 - HARDWARE MAY BE FURNISHED UNASSEMBLED
 - 7 NUT TO BE LOCKED IN PLACE USING LIQUID SEALANT

M 21EN321-R1
 DRAWING NUMBER
 ISSUE 18
 12/14/17
 REVISIONS
 A REINST PR-13218 JAP 10 AUG 84
 B CO 55962 MAM 2 NOV 84
 C CO59459 WJK 19 SEPT 86
 D CO61705 TSK 29 MAY 87
 E CO 61816 TPS 20 AUG 87
 F CO65808 KAK 12 MAY 89
 G CO66322 TJO 12 SEP 89
 H CO79991 DLT 25 FEB 95
 J 0037308 MST 05FEB08
 FO-32851-A
 DRAWN JAP 10 AUG 84
 CHECK JEC 12 AUG 84
 BLR 05FEB08
 CHECK
 RELEASE NO. PR-13218
 REPLACES

THIS DRAWING COVERS A PROPRIETARY ITEM AND IS THE PROPERTY OF MICRO SWITCH, A DIVISION OF HONEYWELL. THIS DRAWING IS NOT TO BE COPIED OR USED WITHOUT THE APPROVAL OF MICRO SWITCH.		THIRD ANGLE PROJECTION		SCALE FULL	
CHARACTERISTICS		ELECTRICAL DATA			
OPERATING FORCE ----- 6-12 LB		CONTACT ARRANGEMENT S P D T			
FULL OVERTRAVEL FORCE ----- 30 LB MAX		28 VDC			
RELEASE FORCE ----- 4 LB MIN		SEA LEVEL 50,000 FT.			
PRETRAVEL ----- .040 MAX		LOAD			
DIFFERENTIAL TRAVEL ----- .010 MAX		RES	4	4	
OVERTRAVEL ----- .250 MIN		IND	2	2	
		MOTOR	4		
					RAW MATERIAL-COMMERCIAL STANDARD MICRO SWITCH STANDARDS APPLY DIMENSIONS ARE TO BE MET BEFORE PROTECTIVE COATINGS ARE APPLIED
					WEIGHT 7 OZ MAX