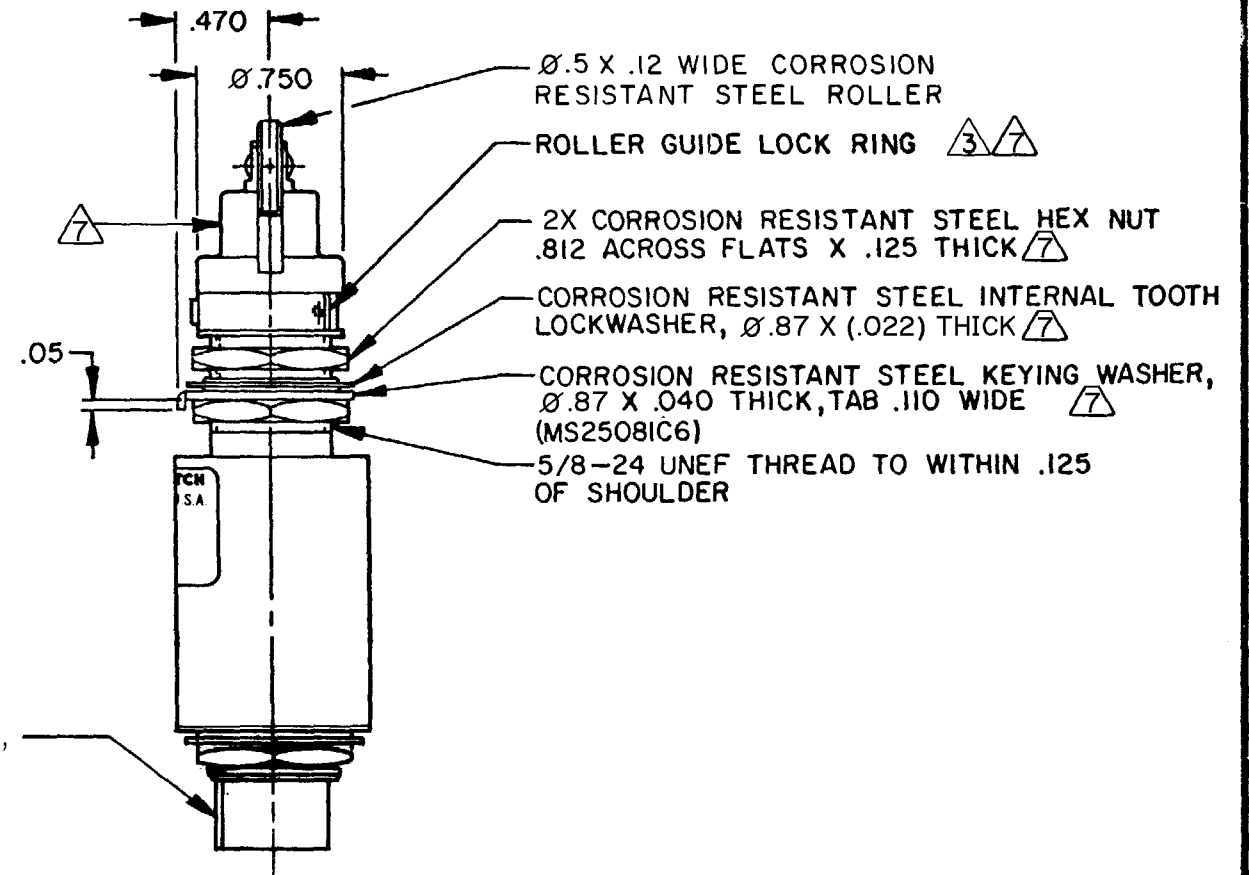
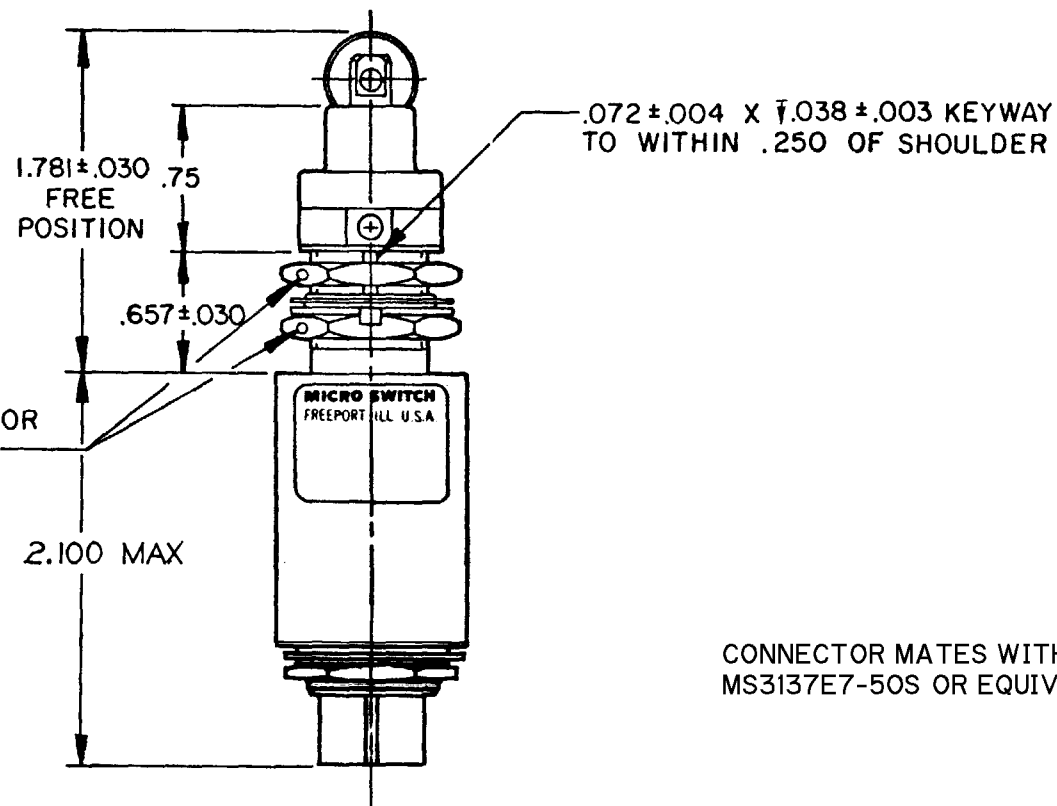
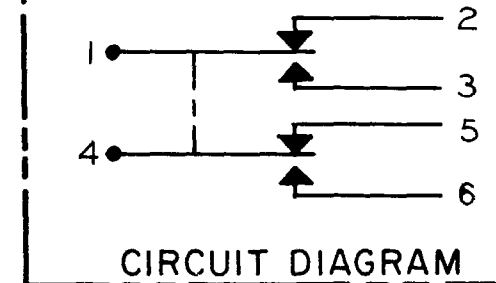
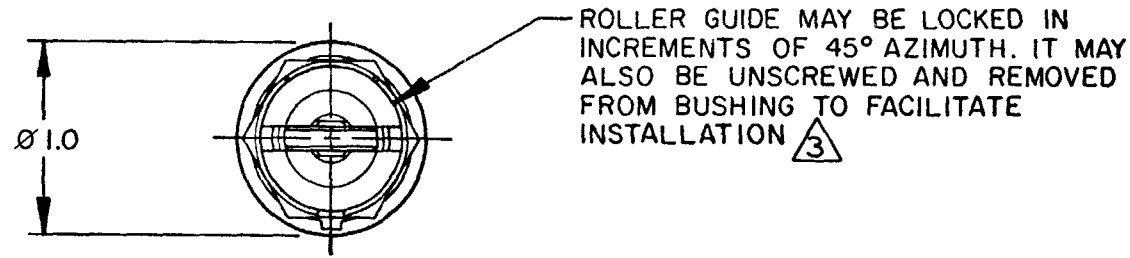


MICRO SWITCH
 FREEPORT ILLINOIS U.S.A.
 A DIVISION OF HONEYWELL
 FED. MFG. CODE 91929

SWITCH - ENCLOSED

CATALOG LISTING
21EN9-R



CONNECTOR MATES WITH MIL-C-81703, MS3137E7-50S OR EQUIVALENT

NOTES

- 1 - SWITCH SEALED PER MIL-PRF-8805, SYMBOL 4
- 2 - CORROSION RESISTANT STEEL ENCLOSURE
- $\triangle 3$ TO ADJUST ROLLER DIRECTION, REMOVE ROLLER GUIDE LOCK RING SCREW ROLLER GUIDE DOWN AS FAR AS POSSIBLE, THEN UNSCREW TO DESIRED DIRECTION. SECURE BY REPLACING ROLLER GUIDE LOCK RING
- 4 - CIRCUIT DIAGRAM AND CATALOG LISTING ARE SHOWN ON NAMEPLATE
- 5 - COINCIDENCE OF OPERATING AND RELEASING POINTS: $.010$ OF PLUNGER TRAVEL
- 6 - KEYWAY IN MOUNTING BUSHING AND RECEPTACLE POLARIZING KEY ARE NOT NECESSARILY ALIGNED
- $\triangle 7$ HARDWARE MAY BE PACKAGED UNASSEMBLED PER MIL-PRF-8805

CATALOG LISTING 21EN9-R
 PAGE 1 OF 1
 ISSUE 18
 REVISIONS
 A CO44351 JEF 7 SEPT 79
 B CO47573 PART 4 R JH 7 AUG 80
 C CO80689 J A S 25 JUN 98
 D 200913 D L T 04 AUG 00
 FORMTEK DRAWN JEF 7 SEPT 79
 CHECK CEB 13 SEPT 79
 REPLACES
 RELEASE NO.

THIS DRAWING COVERS A PROPRIETARY ITEM AND IS THE PROPERTY OF MICRO SWITCH, A DIVISION OF HONEYWELL. THIS DRAWING IS NOT TO BE COPIED OR USED WITHOUT THE APPROVAL OF MICRO SWITCH.

THIRD ANGLE PROJECTION

SCALE FULL

DO NOT SCALE PRINT

CHARACTERISTICS	
OPERATING FORCE	6-12 LB
FULL OVERTRAVEL FORCE	30 LB MAX
RELEASE FORCE	4 LB MIN
PRETRAVEL	.040 MAX
DIFFERENTIAL TRAVEL	.020 MAX
OVERTRAVEL	.250 MIN

ELECTRICAL DATA		
CONTACT ARRANGEMENT		
2X SPDT		
28 VDC		
LOAD	SEA LEVEL	50,000 FT.
RES	4	4
IND	2	2
MOTOR	4	

TOLERANCES			
APPLY TO DESIGN UNITS. CONVERSIONS ARE ONLY FOR REFERENCE. UNLESS NOTED, TOLERANCES ARE \pm			
DIM.	TOL.	DIM.	TOL.
mm	mm/in	in	mm/in
NO PLACES	X	1/04	
ONE PLACE	X,X	0.4/018	X,X 0.8/03
TWO PLACES	X,XX	0.15/006	X,XX 0.38/015
THREE PLACES	X,XXX		X,XXX 0.13/005
ANGLES			
DESIGN UNITS		US CUSTOMARY	
SI METRIC <input type="checkbox"/>		US CUSTOMARY <input checked="" type="checkbox"/>	
RAW MATERIAL-COMMERCIAL STANDARD			
MICRO SWITCH STANDARDS APPLY			
DIMENSIONS ARE TO BE MET BEFORE PROTECTIVE COATINGS ARE APPLIED			
WEIGHT 5.25 OZ MAX			

ANSI Y14.5M-1982 APPLIES