

MICRO SWITCH

FREEPORT ILLINOIS, U.S.A
A DIVISION OF HONEYWELL
FED. MFG. CODE 91929

SWITCH-BASIC

CATALOG LISTING

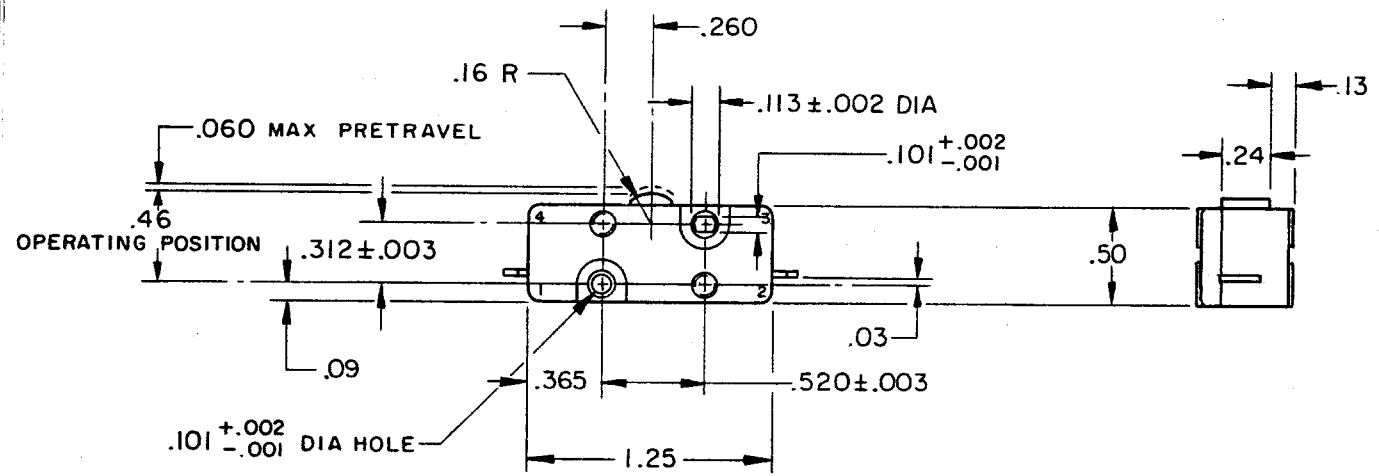
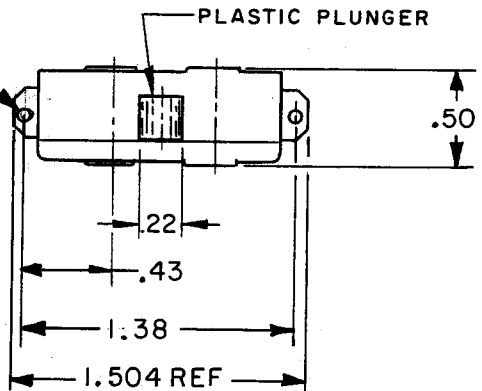
2TB242-4

5

M 2TB242-4
 DRAWING NUMBER
 ISSUE X3
 REVISIONS
 A 085DRW 0079128 C S L 12 OCT 94
 B REINST PR21587 S A D 3 APR 95
 CHECK
 KAG 12 APR 84
 CHECK
 84
 APR 84
 DRAWN
 FO-52848-A

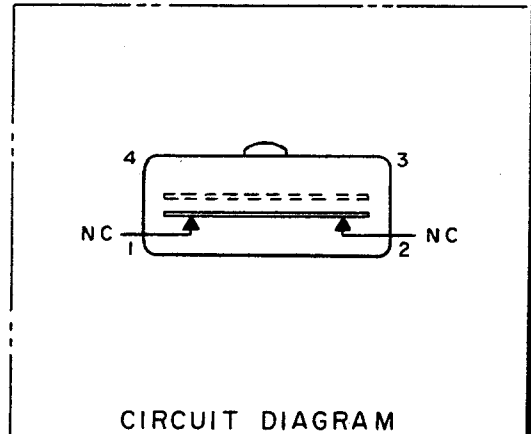
REPLACES X7835-TB
 RELEASE NO. PR-12915

.067 DIA HOLES
IN TERMINALS (2)

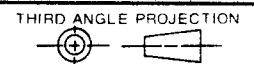


NOTES

- 1 - TERMINALS 1 AND 2 NORMALLY CLOSED CIRCUIT
- 2 - TERMINALS ARE PLATED FOR SOLDERING
- 3 - SWITCH WILL WITHSTAND TEMPERATURE OF 250°F



THIS DRAWING COVERS A PROPRIETARY ITEM AND IS THE PROPERTY OF MICRO SWITCH, A DIVISION OF HONEYWELL. THIS DRAWING IS NOT TO BE COPIED OR USED WITHOUT THE APPROVAL OF MICRO SWITCH.



CHARACTERISTICS	
OPERATING FORCE	7 - 13 OZ
RELEASE FORCE	4 OZ MIN
DIFFERENTIAL TRAVEL	.005 - .015
OVERTRAVEL	.010 MIN

ELECTRICAL DATA	
CONTACT ARRANGEMENT SEE CIRCUIT DIAGRAM	
L25	
10A 125 OR 250 VAC 1/2 HP 125 VAC	

SCALE FULL			
DO NOT SCALE PRINT			
TOLERANCES			
APPLY TO DESIGN UNITS. CONVERSIONS ARE ONLY FOR REFERENCE. UNLESS NOTED, TOLERANCES ARE ±			
DIM.	TOL.	DIM.	TOL.
mm	mm/in	in	mm/in
NO PLACES	X	1/.04	
ONE PLACE	X.X	0.4/.016	X.X 0.8/.03
TWO PLACES	X.XX	0.15/.006	X.XX 0.38/.015
THREE PLACES	X.XXX		X.XXX 0.13/.005
ANGLES			
SI METRIC		US CUSTOMARY	
DESIGN UNITS <input type="checkbox"/>		<input checked="" type="checkbox"/>	
WEIGHT			