

MICRO SWITCH
 FREEPORT, ILLINOIS U S A
 A DIVISION OF HONEYWELL
 FED. MFG. CODE 91929

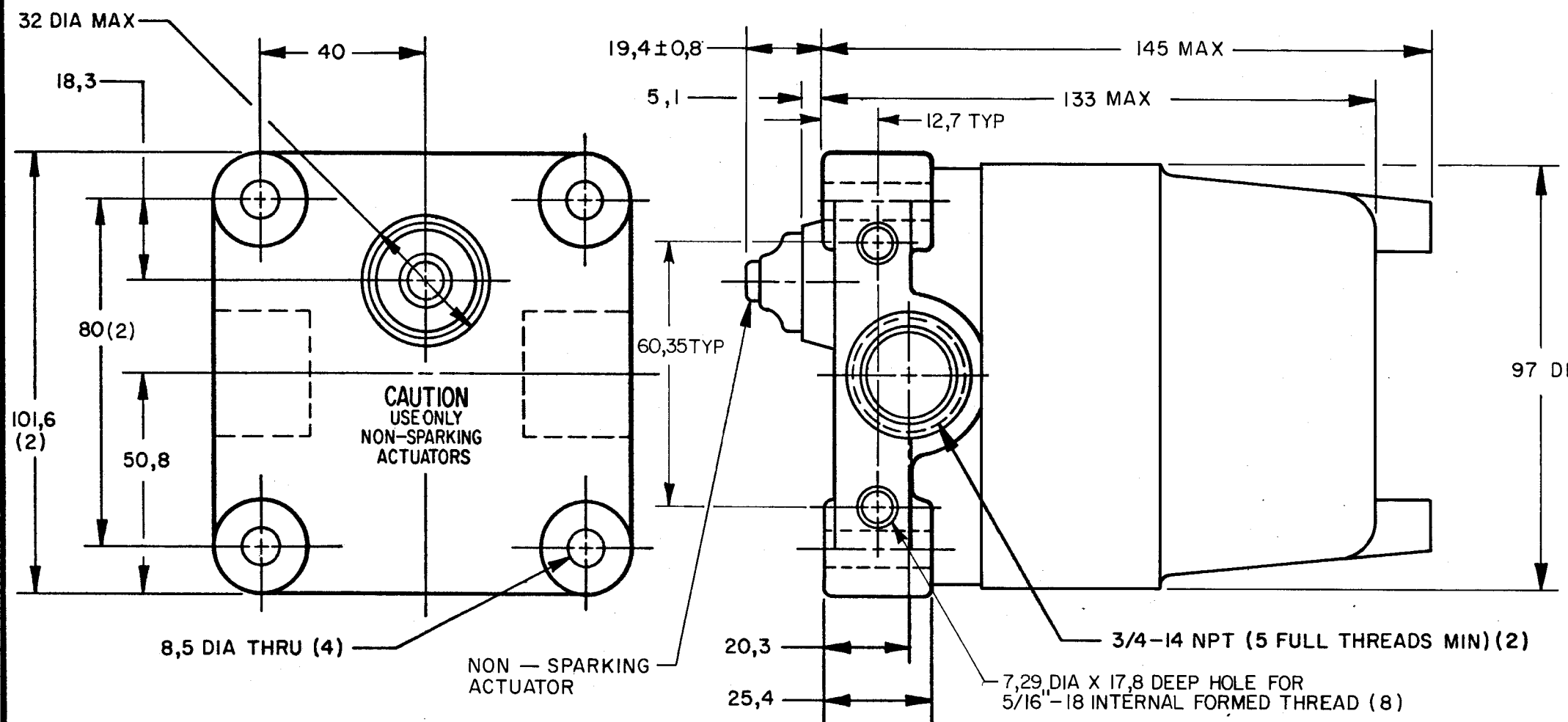
SWITCH-ENCLOSED

CATALOG LISTING
41CX 42CX
 SERIES CHART 1

CONVERSION CHART

1,0	.04
2,5	.10
4,75	.187
5,1	.20
7,29	.287
7,92	.312
8,5	.33
12,7	.50
17,8	.70
18,3	.72
19,4±0,8	.764±.032
20,3	.80
25,4	1.00
32,0	1.26
40,0	1.57
50,8	2.00
60,35	2.38
80,0	3.15
97,0	3.82
101,6	4.00
133,0	5.24
145,0	5.71
1,25 Kg	2.75 LB
4,0 Kg	8.82 LB

FORMTEK
 FO-5225 1-A
 DRAWN
 J A L 31 AUG 77
 CHECK
 G J W 7 JUL 99
 K C095297
 21 MAR 95
 JAK
 J A L 31 AUG 77
 CHECK
 G J W 7 JUL 99
 K C095297
 21 MAR 95
 JAK
 H C077459
 6 JUN 94
 KEU
 J A L 31 AUG 77
 CHECK
 G J W 7 JUL 99
 K C095297
 21 MAR 95
 JAK
 H C077459
 6 JUN 94
 KEU
 G C061401
 20 NOV 86
 KEW
 F C058369
 28 JUNE 85
 J A S
 E C057575
 3 JAN 85
 KEW
 D C056479
 20 JAN 84
 W J M
 C CO 53444
 10 FEB 78
 S J S
 B C039803
 16 JAN 78
 W L W
 A C039705
 REVISIONS



- NOTES**
- 1 - EXPLOSION PROOF-UNDERWRITERS LAB INC LISTING FOR HAZARDOUS LOCATIONS CLASS I, GROUPS C AND D; CLASS II, GROUPS E, F AND G
 - 2 - ALUMINUM ENCLOSURE FINISHED WITH BLUE AND BLACK EPOXY PAINT
 - 3 - 6-32 UNC X 7,92 REF PAN HEAD TERMINAL SCREW AND LOCK-WASHER (SEMS TERMI-LOX) (3 PER BASIC)
 - 4 - CAMS MAY BE REPOSITIONED AT A CHANGE OF 1mm PER REVOLUTION (8 POSITIONS PER REVOLUTION)
 - 5 - FOR USE IN TEMPERATURES UP TO 85°C
 - 6 CHARACTERISTICS PERTAIN TO ALL CHARTED LISTINGS

CAT. LIST	DESCRIPTION	ELECTRICAL DATA
41CX4	4 BASICS; SIMULTANEITY WITHIN 1 mm	UL LISTED-FILE E14274 CODE L96 15A-125, 250 OR 480 VAC 1/8 HP-125 VAC; 1/4 HP-250 VAC 1/2 A-125 VDC; 1/4 A-250 VDC

THIS DRAWING COVERS A PROPRIETARY ITEM AND IS THE PROPERTY OF MICRO SWITCH, A DIVISION OF HONEYWELL. THIS DRAWING IS NOT TO BE COPIED OR USED WITHOUT THE APPROVAL OF MICRO SWITCH.		THIRD ANGLE PROJECTION 	SCALE 3/4 TO 1 DO NOT SCALE PRINT																								
CHARACTERISTICS		CONTACT ARRANGEMENT S P D T (EACH BASIC)	TOLERANCES APPLY TO DESIGN UNITS. CONVERSIONS ARE ONLY FOR REFERENCE. UNLESS NOTED, TOLERANCES ARE ±																								
OPERATING FORCE	4 kg MAX		<table border="1"> <tr> <th>DIM.</th> <th>TOL.</th> <th>DIM.</th> <th>TOL.</th> </tr> <tr> <td>NO PLACES</td> <td>X</td> <td>mm/in</td> <td>in</td> </tr> <tr> <td>ONE PLACE</td> <td>X,X</td> <td>0.4/.016</td> <td>X,X</td> </tr> <tr> <td>TWO PLACES</td> <td>X,XX</td> <td>0.15/.006</td> <td>X,XX</td> </tr> <tr> <td>THREE PLACES</td> <td>X,XXX</td> <td>0.15/.006</td> <td>X,XXX</td> </tr> <tr> <td>ANGLES</td> <td></td> <td></td> <td></td> </tr> </table>	DIM.	TOL.	DIM.	TOL.	NO PLACES	X	mm/in	in	ONE PLACE	X,X	0.4/.016	X,X	TWO PLACES	X,XX	0.15/.006	X,XX	THREE PLACES	X,XXX	0.15/.006	X,XXX	ANGLES			
DIM.	TOL.		DIM.	TOL.																							
NO PLACES	X		mm/in	in																							
ONE PLACE	X,X	0.4/.016	X,X																								
TWO PLACES	X,XX	0.15/.006	X,XX																								
THREE PLACES	X,XXX	0.15/.006	X,XXX																								
ANGLES																											
PRETRAVEL	2,5 mm MAX	DESIGN UNITS <input checked="" type="checkbox"/> METRIC <input type="checkbox"/> US CUSTOMARY																									
DIFFERENTIAL TRAVEL	1,0 mm MAX	RAW MATERIAL-COMMERCIAL STANDARD MICRO SWITCH STANDARDS APPLY DIMENSIONS ARE TO BE MET BEFORE PROTECTIVE COATINGS ARE APPLIED																									
OVERTRAVEL	4,75 mm MIN	WEIGHT 1.25 Kg APPROX																									