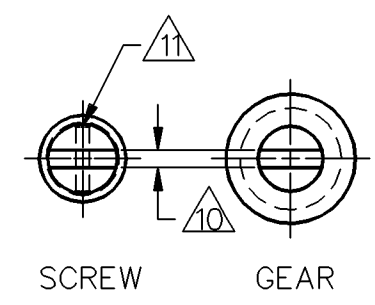
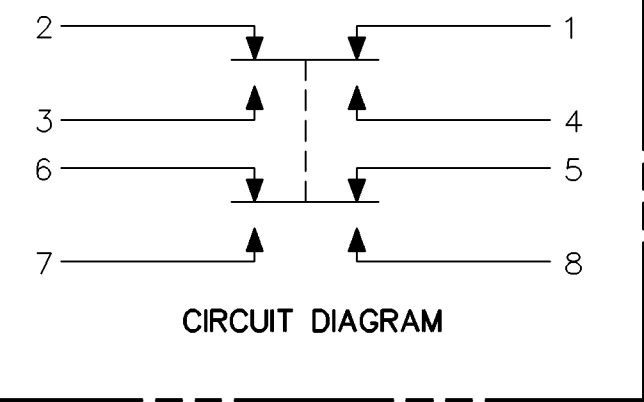


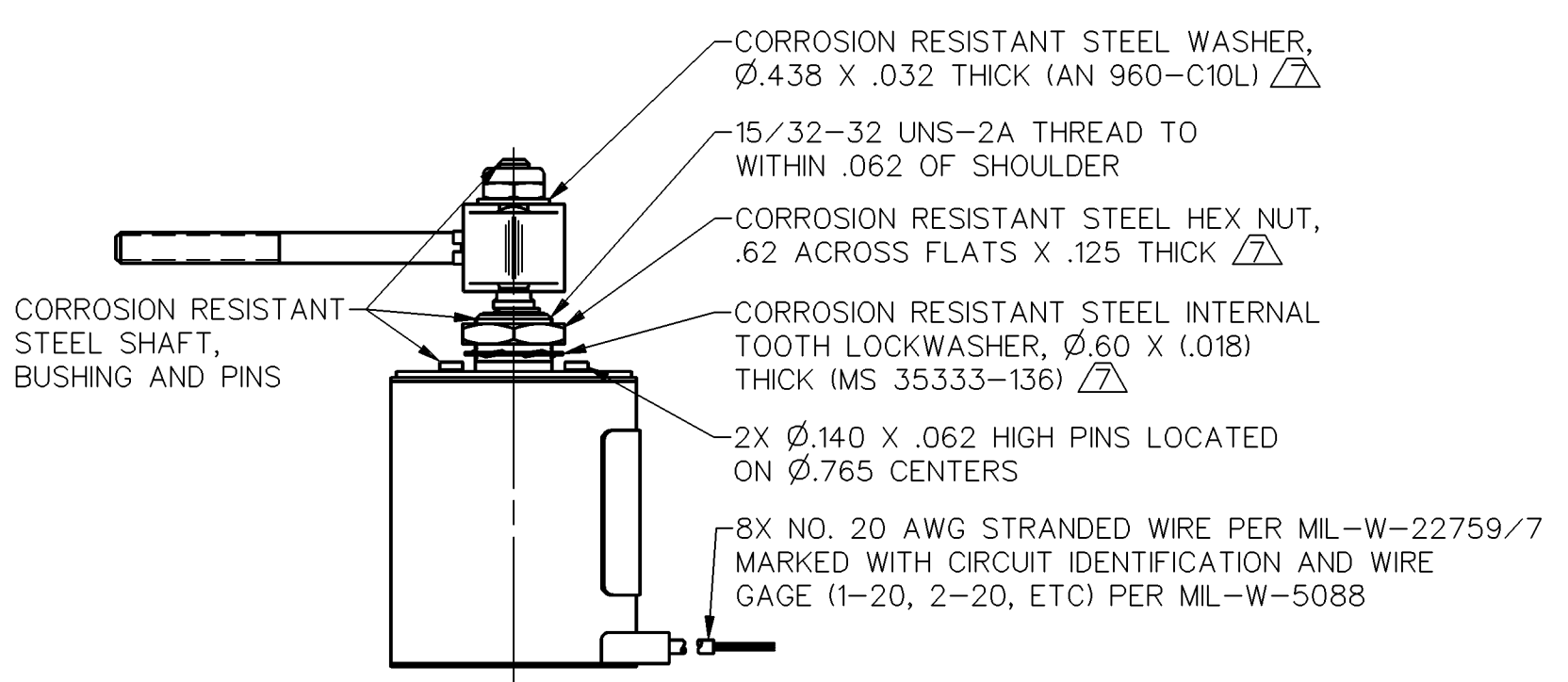
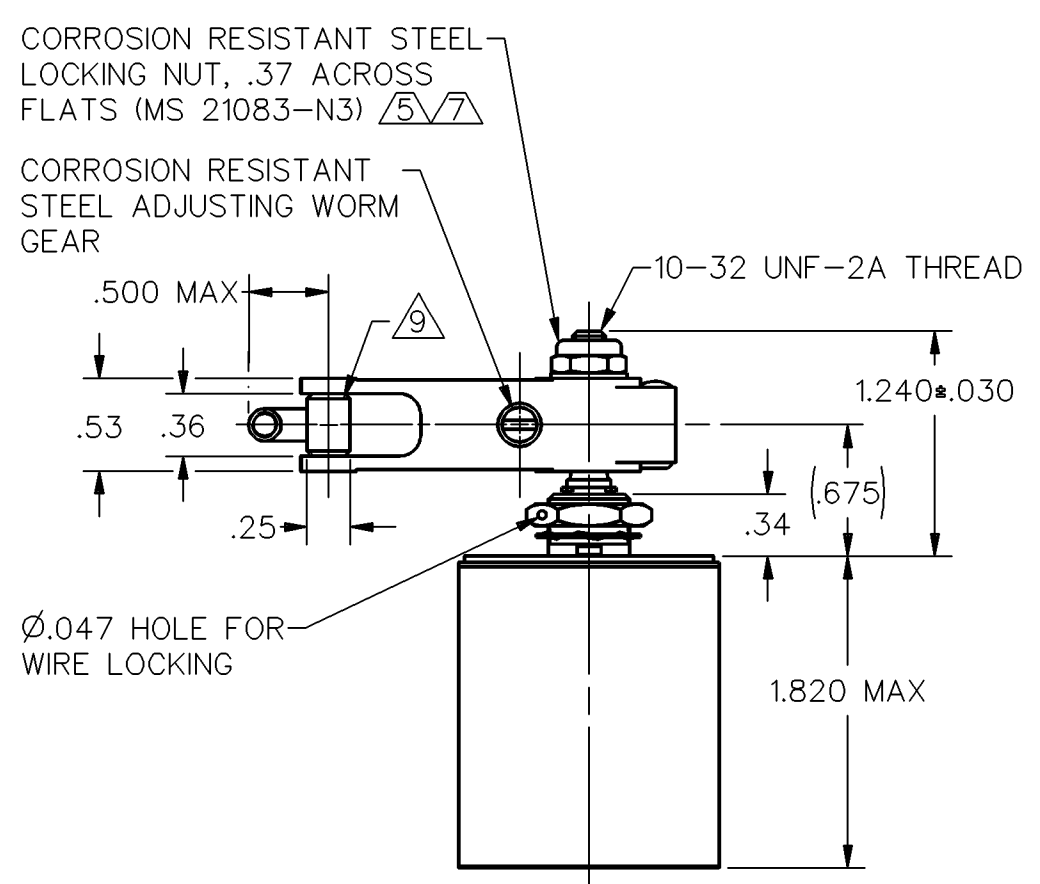
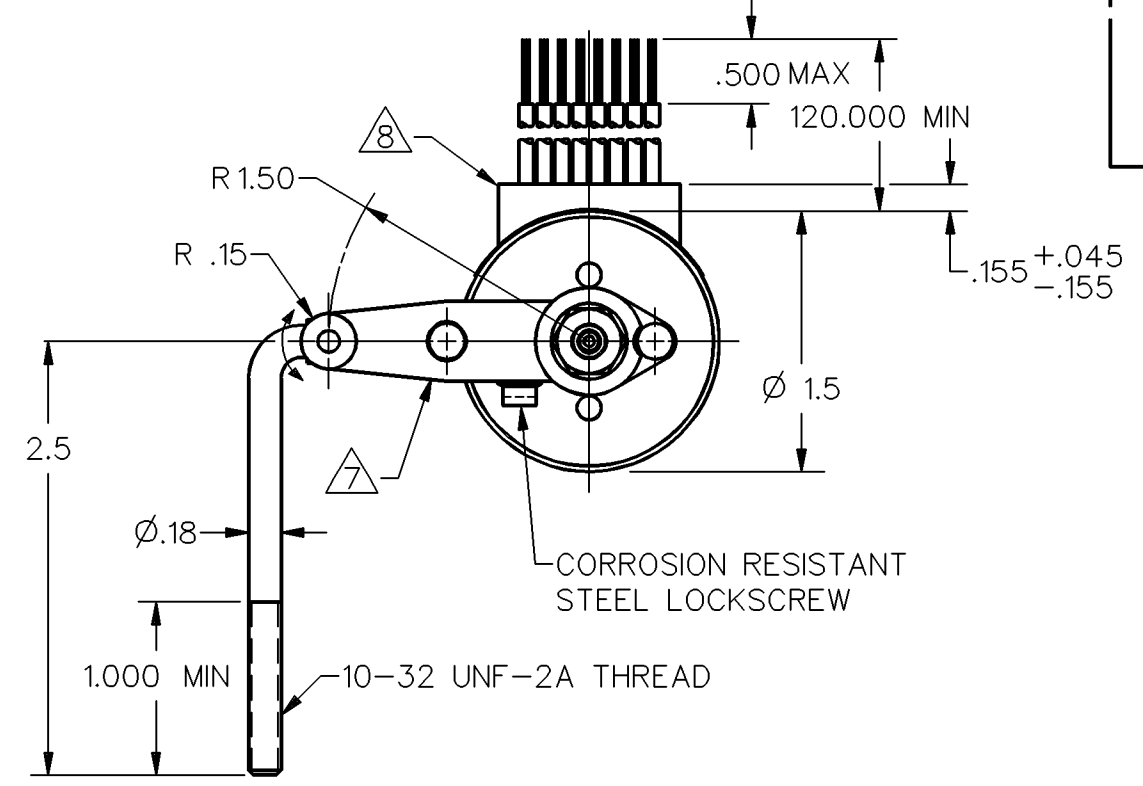
CHARACTERISTICS



LEVER ADJUSTMENT DETAIL
SCALE 2:1



- NOTES**
- 1 - CORROSION RESISTANT STEEL ENCLOSURE
 - 2 - SWITCH SEALED PER MIL-PRF-8805, SYMBOL 4
 - 3 - CIRCUIT DIAGRAM AND CATALOG LISTING ARE SHOWN ON NAMEPLATE
 - 4 - UNIT PROVIDES NO SHAFT RESTORING TORQUE. THE ACTUATING DEVICE MUST CONTROL MOVEMENT OF THE SHAFT
 - 5 - DO NOT APPLY MORE THAN 20-25 INCH-POUNDS OF TORQUE WHEN TIGHTENING LOCKING NUT
 - 6 - LEADS PARALLEL WITH CENTERLINE OF MOUNTING PINS WITHIN ±10°
 - 7 - HARDWARE MAY BE PACKAGED UNASSEMBLED PER MIL-PRF-8805
 - 8 - POTTING MATERIAL
 - 9 - FREE TO ROTATE
 - 10 - .050 WIDE X .050 DEEP SLOT
 - 11 - Ø.037 HOLE FOR WIRE LOCKING



44EN14-10
 M
 17
 REVISIONS
 A 76587 5 NOV 93
 B 78255 1 SEP 94
 C 0008133 28 SEP 04
 T S M 5 NOV 93
 RASTER DRAWN

CHARACTERISTICS		ELECTRICAL DATA		
OPERATING TORQUE	---10 IN-LB MAX	CONTACT ARRANGEMENT (SEE CIRCUIT DIAGRAM)		
PRETRAVEL	SEE DETAIL	28 VDC		
DIFFERENTIAL TRAVEL		LOAD	SEA LEVEL	50,000 FT
OVERTRAVEL		RES	15	15
FREE POSITION		IND	10	10
		MOTOR	5	
	LAMP	3	3	

MASTER REDUCED
ANSI Y14.5M-1982 APPLIES

THIS DRAWING COVERS A PROPRIETARY ITEM AND IS THE PROPERTY OF MICRO SWITCH, A DIVISION OF HONEYWELL. THIS DRAWING IS NOT TO BE COPIED OR USED WITHOUT THE APPROVAL OF MICRO SWITCH.

MICRO SWITCH
a Honeywell Division

SWITCH-ENCLOSED

CATALOG LISTING
44EN14-10

FED. MFG. CODE 91929

THIRD ANGLE PROJECTION

SCALE FULL

DO NOT SCALE PRINT

UNLESS OTHERWISE SPECIFIED TOLERANCES ARE

ONE PLACE	(.0)	±.030
TWO PLACES	(.00)	±.015
THREE PLACES	(.000)	±.005
ANGLES		±

WEIGHT **16.5 OZ MAX**