

MICRO SWITCH
a Honeywell Division

FED. MFG. CODE 91929

**MINIATURE PRECISION
LIMIT SWITCH**

CATALOG LISTING

914CE28-6

914CE28-6

M

DRAWING
NUMBER

4

ISSUE

REPLACES

RELEASE NO. PR-7324

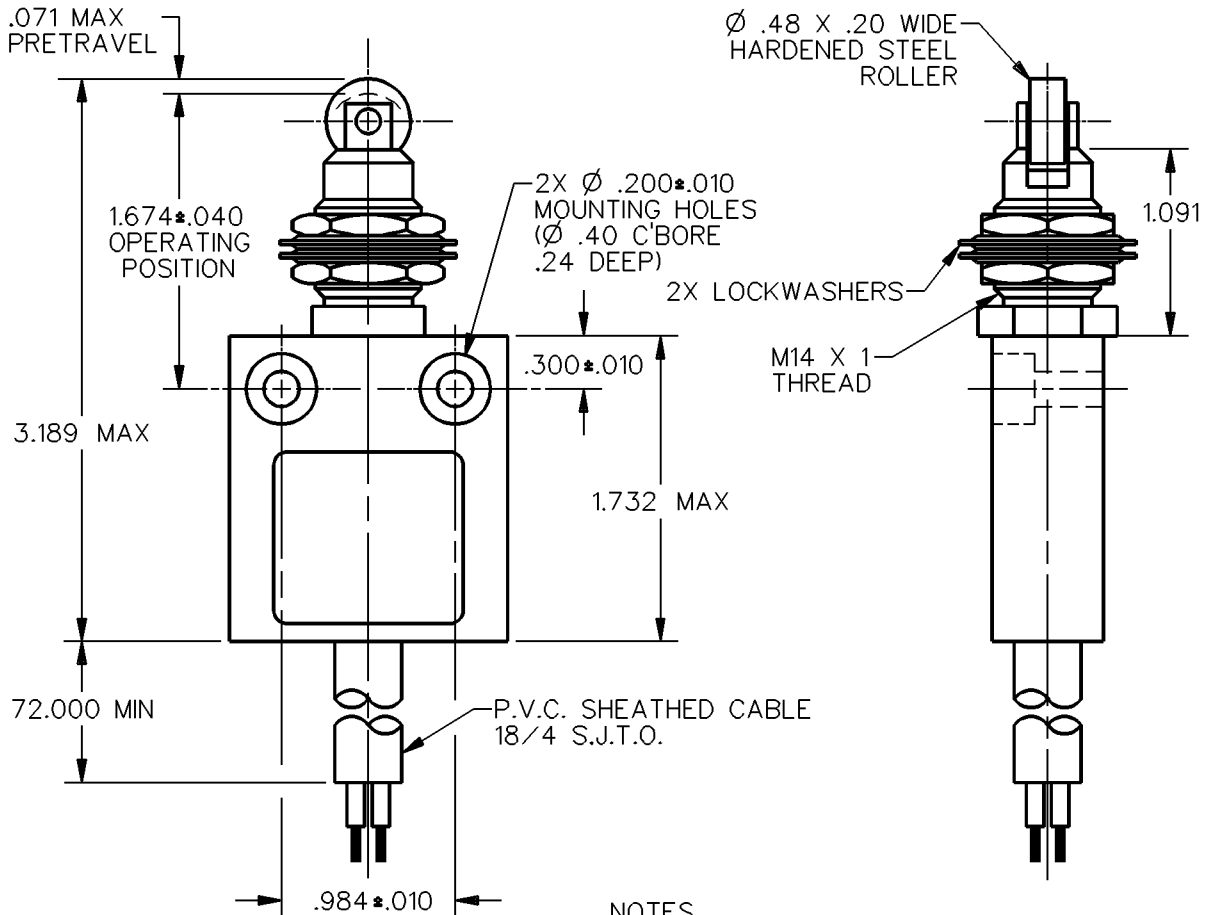
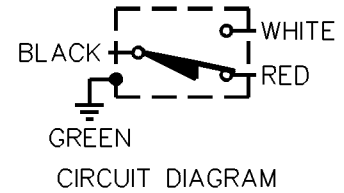
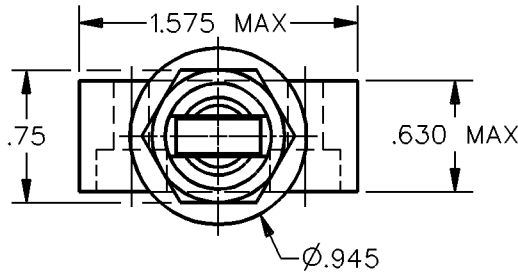
CHECK

CHECK

CHECK

REVISIONS

A CO-69061
S A V
7 OCT 91

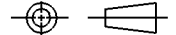


- NOTES
 1 - ZINC HOUSING FINISHED WITH GRAY PAINT
 2 - SWITCH MOUNTS THRU A Ø.571 HOLE
 3 - .165 MAX PANEL THICKNESS

ANSI Y14.5M-1982 APPLIES

THIS DRAWING COVERS A PROPRIETARY ITEM AND IS THE PROPERTY OF MICRO SWITCH, A DIVISION OF HONEYWELL. THIS DRAWING IS NOT TO BE COPIED OR USED WITHOUT THE APPROVAL OF MICRO SWITCH.

THIRD ANGLE PROJECTION



CHARACTERISTICS	ELECTRICAL DATA	SCALE	FULL	DO NOT SCALE PRINT
		UNLESS OTHERWISE SPECIFIED TOLERANCES ARE		
OPERATING FORCE 2 LBS 10 1/2 OZ MAX	CONTACT ARRANGEMENT S P D T 5A - 250 VAC 1/10HP - 125 OR 250 VAC 	ONE PLACE	(.0)	±.030
RELEASE FORCE ----- 1 LB MIN		TWO PLACE	(.00)	±.015
DIFFERENTIAL TRAVEL ----- .004 MAX		THREE PLACE	(.000)	±.005
OVERTRAVEL ----- .118 MIN		ANGLES		±
		WEIGHT		

DDM/CAD

DRAWN

S A V 7 OCT 91