

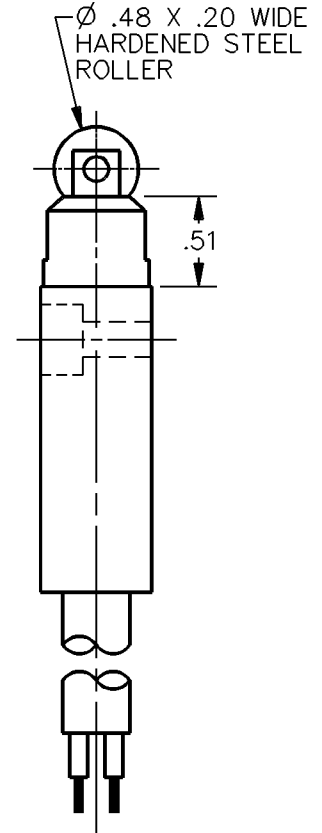
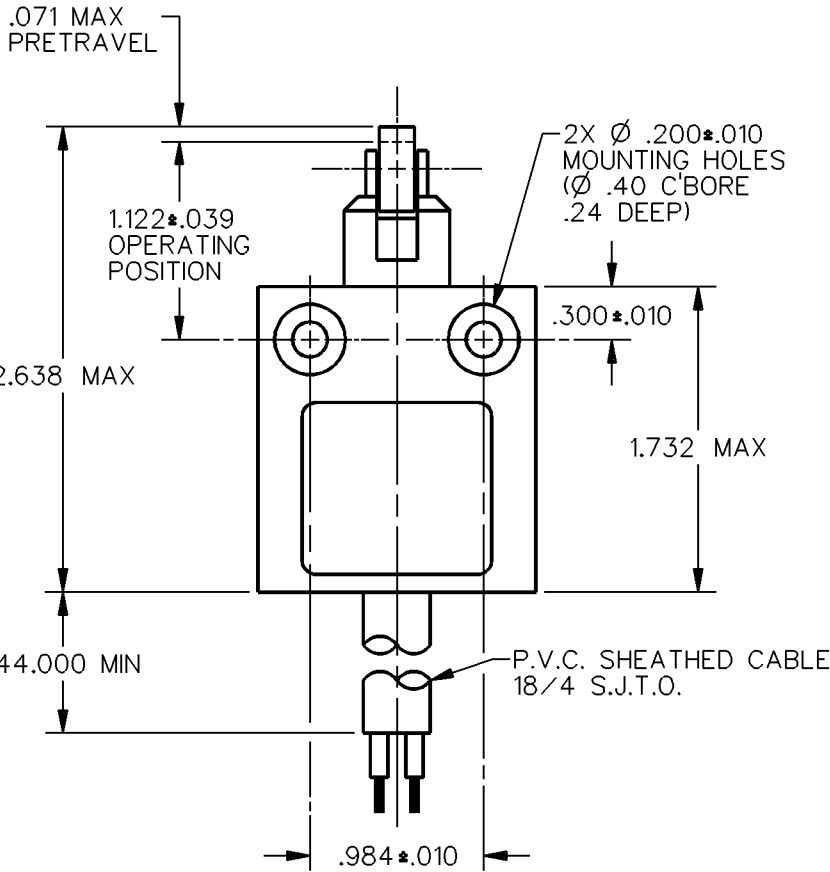
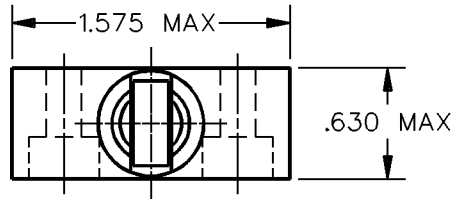
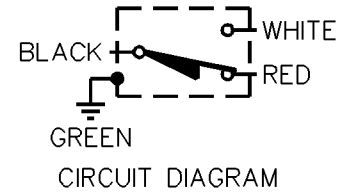
MICRO SWITCH
a Honeywell Division

FED. MFG. CODE 91929

MINIATURE PRECISION
LIMIT SWITCH

CATALOG LISTING

914CE3-12

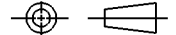


NOTES
1 - ZINC HOUSING FINISHED WITH GRAY PAINT

ANSI Y14.5M-1982 APPLIES

THIS DRAWING COVERS A PROPRIETARY ITEM AND IS THE PROPERTY OF MICRO SWITCH, A DIVISION OF HONEYWELL. THIS DRAWING IS NOT TO BE COPIED OR USED WITHOUT THE APPROVAL OF MICRO SWITCH.

THIRD ANGLE PROJECTION



CHARACTERISTICS

OPERATING FORCE — — — 2.7 LB MAX
RELEASE FORCE — — — — 1.0 LB MIN
DIFFERENTIAL TRAVEL — — — .004 MAX
OVERTRAVEL — — — — — .118 MIN

ELECTRICAL DATA

CONTACT ARRANGEMENT
S P D T

5A - 250 VAC
1/10HP - 125 OR 250 VAC



SCALE FULL DO NOT SCALE PRINT

UNLESS OTHERWISE SPECIFIED TOLERANCES ARE

ONE PLACE (.0) ± .030
TWO PLACE (.00) ± .015
THREE PLACE (.000) ± .005
ANGLES ±

WEIGHT

914CE3-12

M

DRAWING NUMBER

2

ISSUE

REVISIONS

A CO-69061
S A V
4 OCT 91

REPLACES

RELEASE NO. PR-15896

CHECK

CHECK

CHECK

CHECK

4 OCT 91

SAV

DDM/CAD

DRAWN