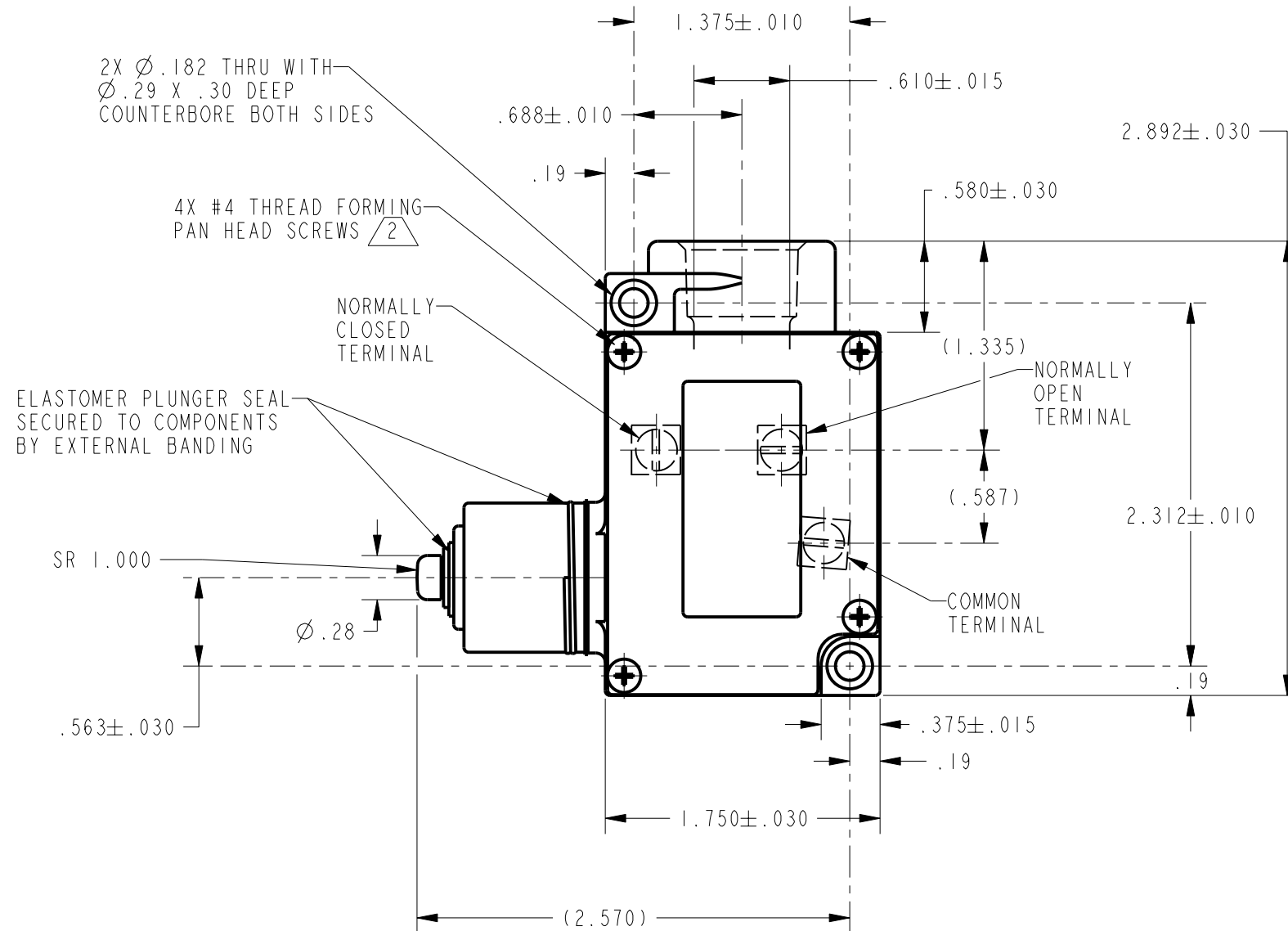
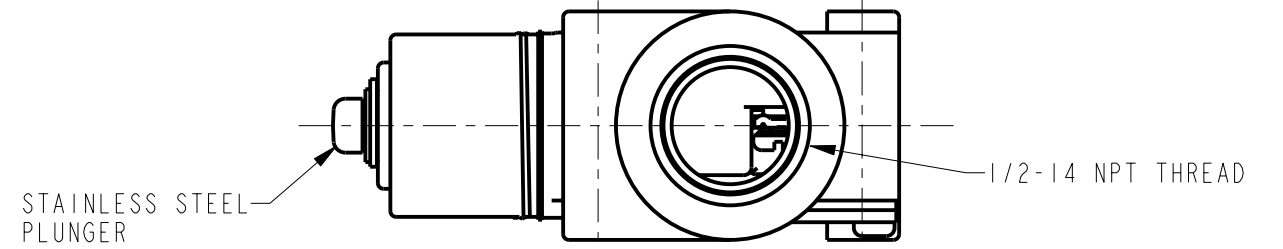
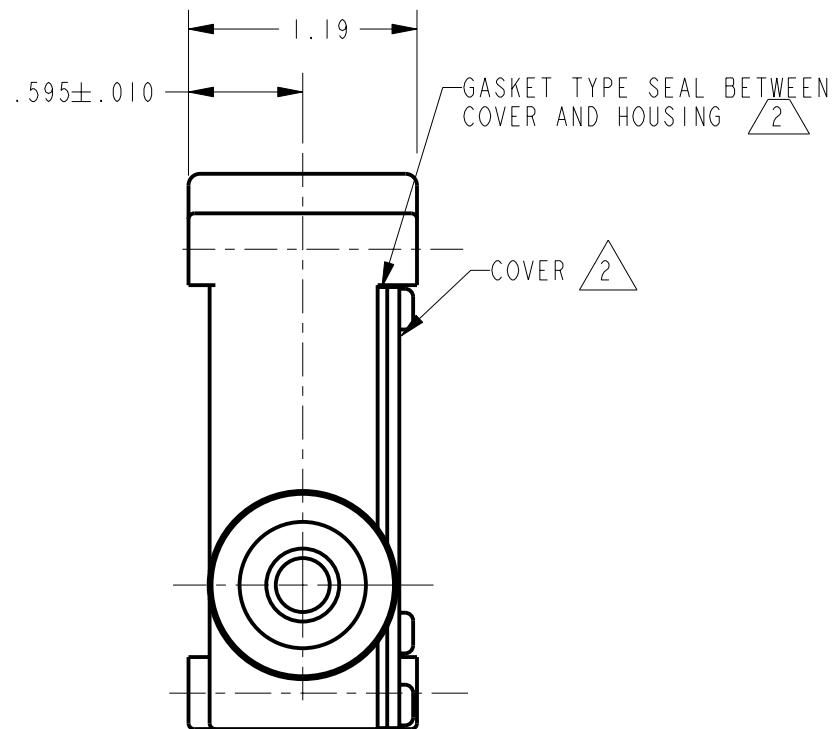


**NOTES**

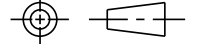
- 1 - 3X 6-32 UNC PRESSURE PLATE TERMINAL SCREWS FURNISHED UNASSEMBLED
- 2 - SWITCH WILL OPERATE AND RELEASE WITHIN THIS TRAVEL
- 3 -



BFL1-BP1  
 CATALOG LISTING  
 PAGE 1 OF 1  
 RELEASE NO. 203802  
 REPLACES  
 ISSUE 1  
 CHECK  
 REVISIONS  
 CHECK  
 6 SEP 01  
 SAV  
 CHECK  
 6 SEP 01  
 DRAWN  
 PTC/CAD 3D  
 KED  
 CHECK  
 6 SEP 01

THIS DRAWING COVERS A PROPRIETARY ITEM AND IS THE PROPERTY OF MICRO SWITCH, A DIVISION OF HONEYWELL. THIS DRAWING IS NOT TO BE COPIED OR USED WITHOUT THE APPROVAL OF MICRO SWITCH

THIRD ANGLE PROJECTION



**CHARACTERISTICS**  
 OPERATING FORCE: ..... 44 OZ MAX  
 TOTAL TRAVEL: ..... 3 120 MIN  
 DIFFERENTIAL TRAVEL: ..... .025 NOM

**ELECTRICAL DATA**  
 CONTACT ARRANGEMENT  
 SPDT  
 L156  
 11A 1/3HP 125, 250, 277 VAC  
 1/2A 125 VDC, 1/4A 250 VDC  
 4A 125 VAC "L"

SCALE FULL  
 DO NOT SCALE PRINT  
 UNLESS OTHERWISE SPECIFIED TOLERANCES ARE  
 ONE PLACE (.0) ±.030  
 TWO PLACE (.00) ±.015  
 THREE PLACE (.000) ±.005  
 ANGLES ±

WEIGHT

ANSI Y14.5M-1982 APPLIES

