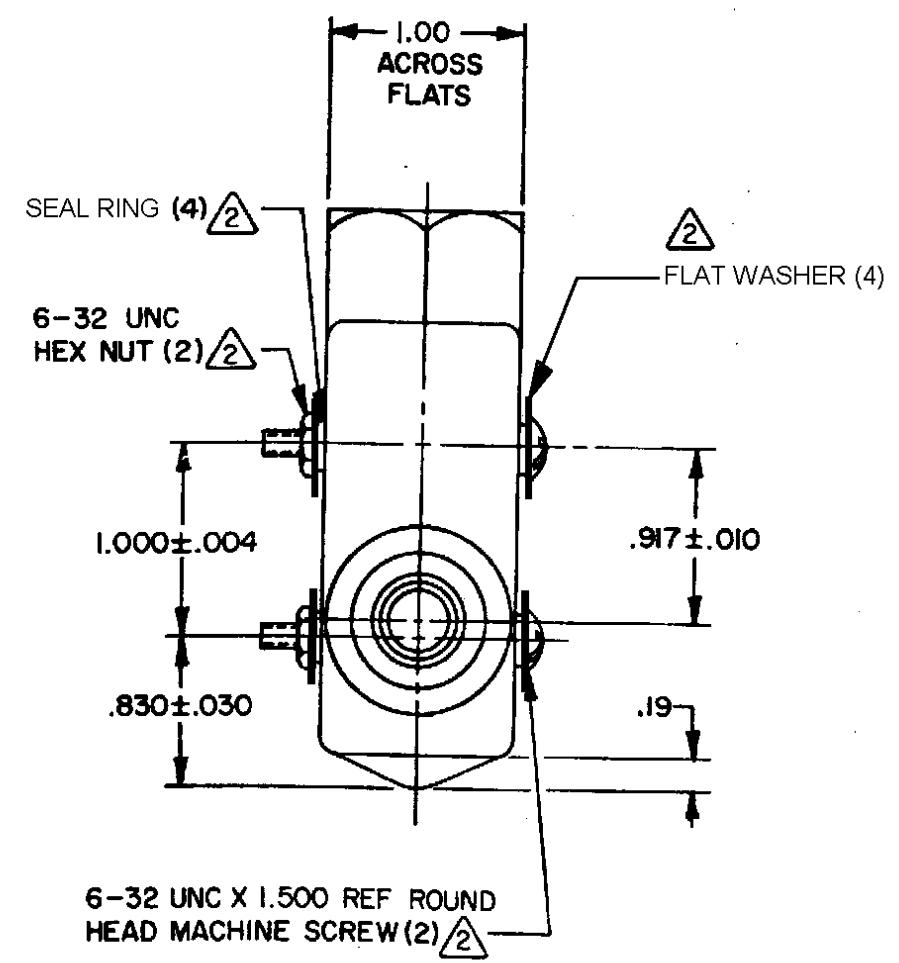


M

BZE6-7RN
 DRAWING NUMBER
 ISSUE 10
 23NOV05
 BP
 CHECK
 26 AUG 77
 K P K
 26 AUG 77
 SLB
 26 AUG 77
 DRAWN
 26 AUG 77
 23NOV05
 VKR
 23NOV05
 G 0017057
 K D R
 17 FEB 94
 F 77179A
 CO-
 77179A
 MAM
 4 SEP 92
 E C072478
 G J W
 8 JAN 85
 D 54958
 JAS
 NOV 84
 C055989
 C J H
 2 MAY 84
 B C05391-G
 S L B
 26 AUG 77
 CO-
 38200
 A CO-
 38200



ELASTOMER PLUNGER SEAL SECURED TO COMPONENTS BY EXTERNAL BANDING

HARDENED STEEL PLUNGER

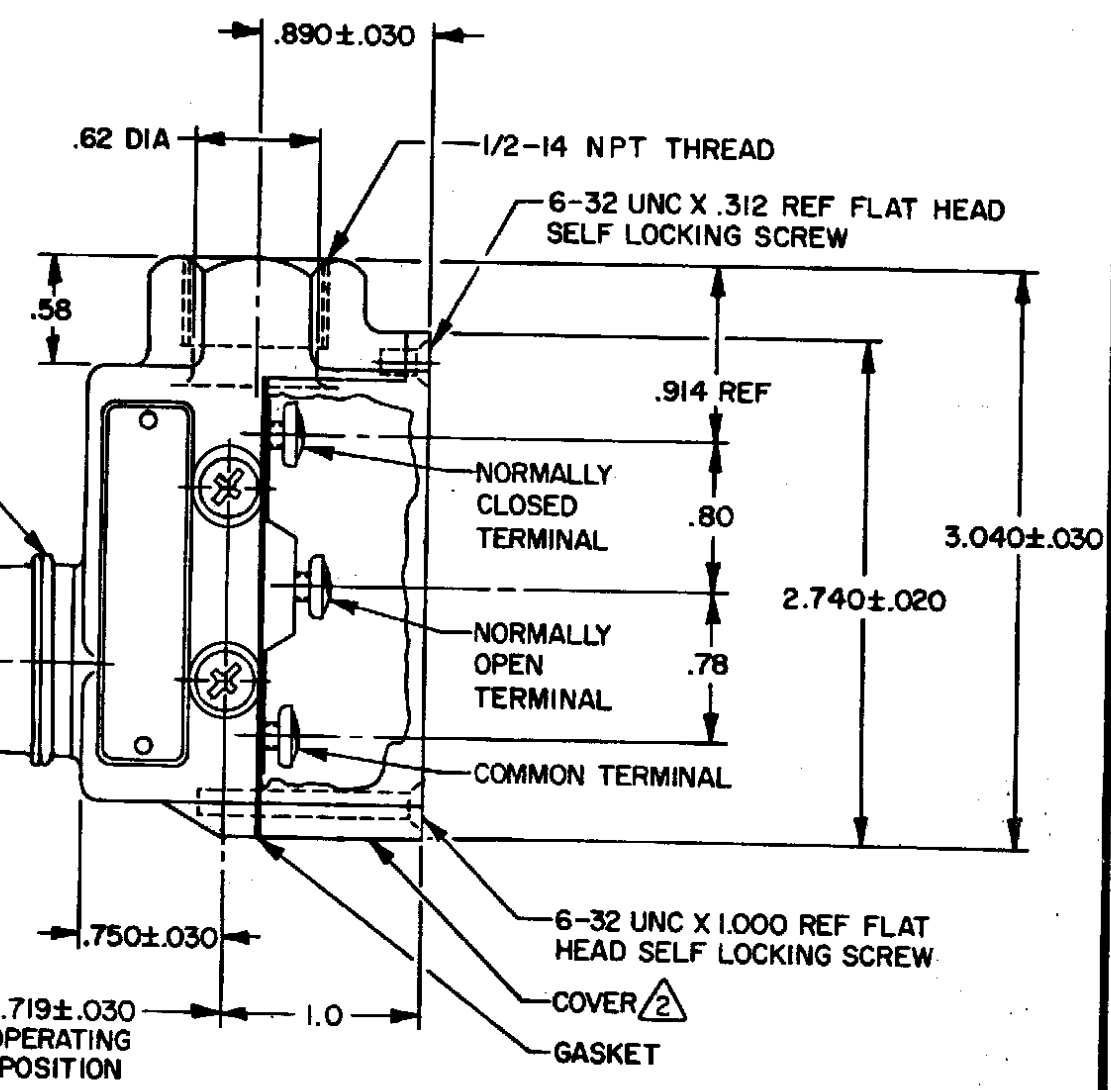
.33 DIA

.47 SPHERICAL R

.078 MAX PRETRAVEL

1.719 ± .030 OPERATING POSITION

1.0



NOTES -

- 1 - 6-32 UNC X .219 REF BINDING HEAD TERMINAL SCREW AND CUPWASHER (3)
- 2 - FURNISHED UNASSEMBLED
- 3 - SEAL RATING: NEMA1,3
IP54

THIS DRAWING COVERS A PROPRIETARY ITEM AND IS THE PROPERTY OF MICRO SWITCH, A DIVISION OF HONEYWELL. THIS DRAWING IS NOT TO BE COPIED OR USED WITHOUT THE APPROVAL OF MICRO SWITCH.

CHARACTERISTICS	ELECTRICAL DATA	SCALE FULL
OPERATING FORCE ----- 22-39 OZ	CONTACT ARRANGEMENT S P D T	DO NOT SCALE PRINT
RELEASE FORCE ----- 4 OZ MIN	15A-125, 250 OR 480 VAC, 2A-600 VAC 1/8 HP-125 VAC; 1/4 HP-250 VAC	UNLESS OTHERWISE NOTED DIMENSIONS ARE IN INCHES
DIFFERENTIAL TRAVEL ----- .005 MAX	1/2A-125 VDC; 1/4A-250 VDC	TOLERANCES ARE:
OVERTRAVEL ----- .219 MIN	CODE L74	ONE PLACE (.0) ± .030
BASIC SWITCH REPLACEMENT ----- BZ-7RQ67	CE 1.5A, 240Vac	TWO PLACE (.00) ± .015
		THREE PLACE (.000) ± .005
		ANGLES
		WEIGHT .56 LB