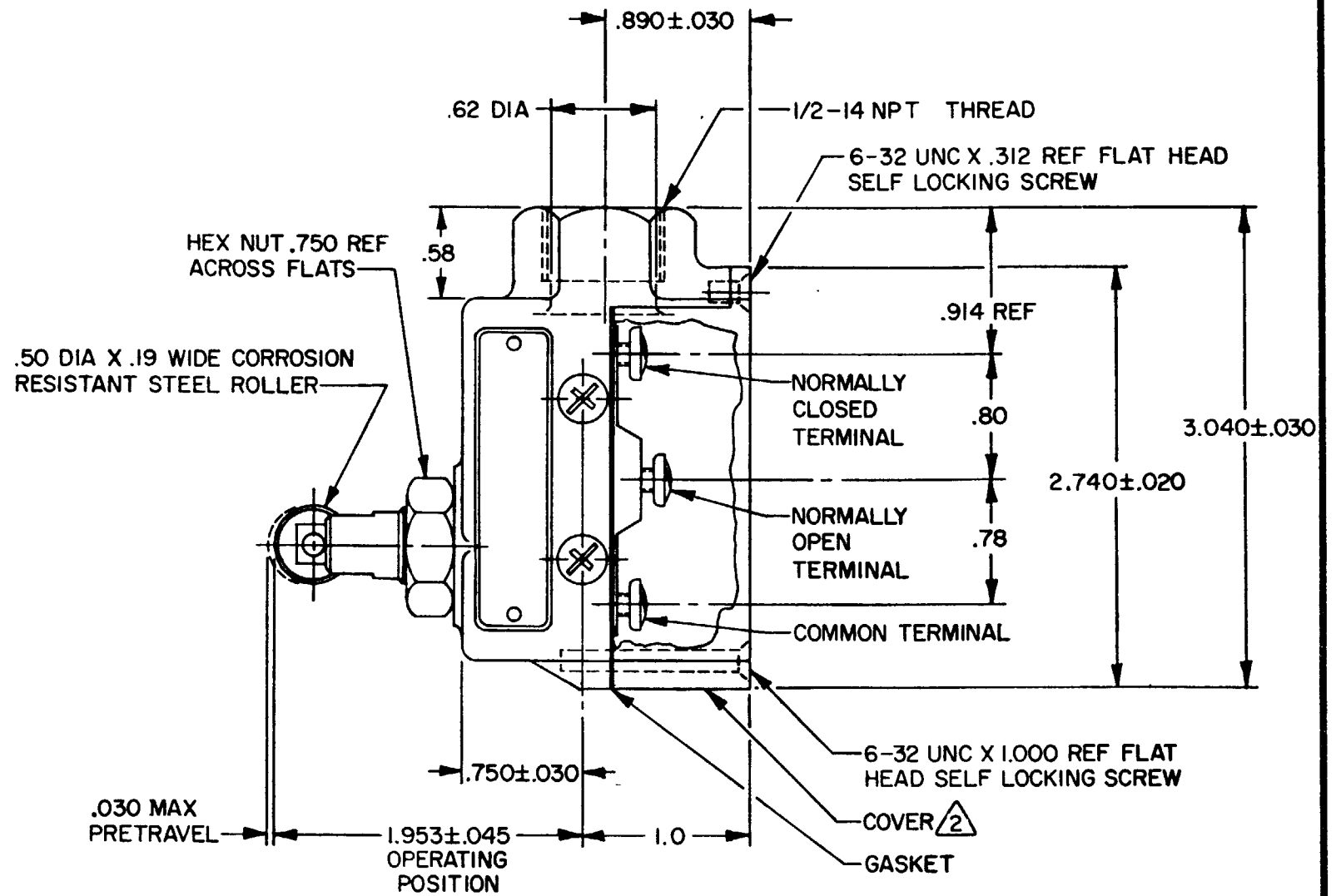
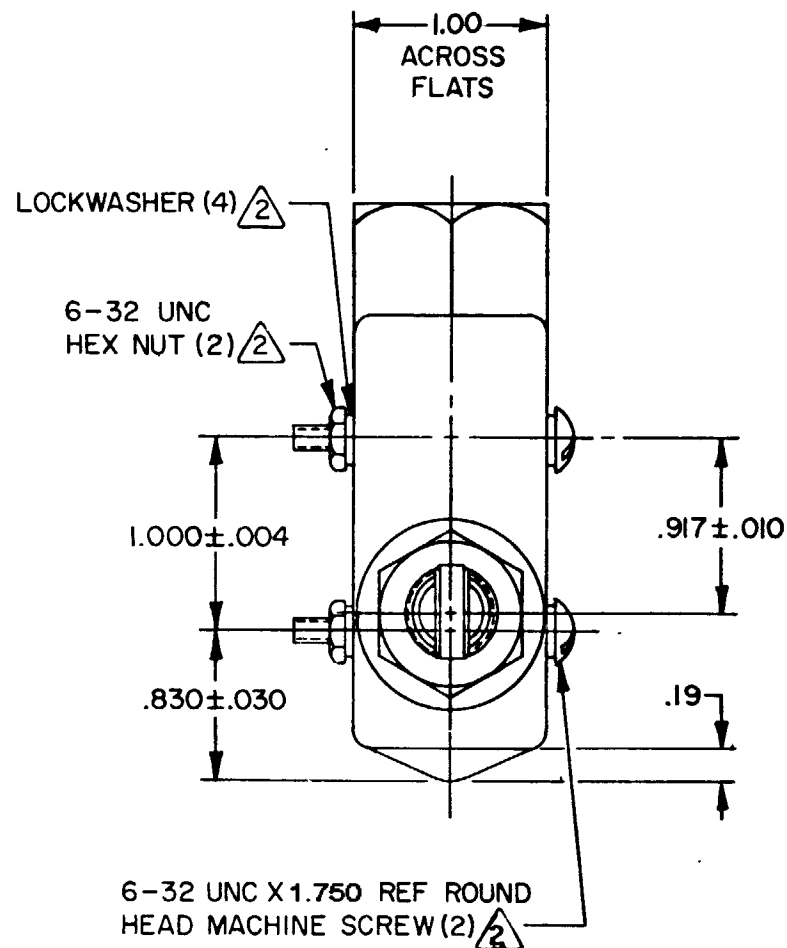


MICRO SWITCH
 FREEPORT, ILLINOIS, U.S.A.
 A DIVISION OF HONEYWELL
 FED. MFG. CODE 91829

SWITCH - ENCLOSED

CATALOG LISTING
BZE6-7RQ8

BZE6-7RQ8
 M
 DRAWING NUMBER
 9
 ISSUE
 PSR
 29AUG07
 CHECK
 ROA
 KPK
 24 AUG 77
 DRAWN
 RASTER
 FO-92851-A



NOTES -

- 1 - 6-32 UNC X .219 REF BINDING HEAD TERMINAL SCREW AND CUPWASHER (3)
- ② FURNISHED UNASSEMBLED
- 3 - SEAL RATING: NEMA 1
IP40

THIS DRAWING COVERS A PROPRIETARY ITEM AND IS THE PROPERTY OF MICRO SWITCH, A DIVISION OF HONEYWELL. THIS DRAWING IS NOT TO BE COPIED OR USED WITHOUT THE APPROVAL OF MICRO SWITCH.

CHARACTERISTICS	ELECTRICAL DATA	SCALE FULL
OPERATING FORCE — — 22-28 OZ	CONTACT ARRANGEMENT S P D T	DO NOT SCALE PRINT
RELEASE FORCE — — — 4 OZ MIN	15A-125, 250 OR 480 VAC, 2A-600 VAC 1/8 HP-125 VAC; 1/4 HP-250 VAC 1/2A-125 VDC; 1/4A-250 VDC CODE L74	UNLESS OTHERWISE NOTED DIMENSIONS ARE IN INCHES
DIFFERENTIAL TRAVEL — — .005 MAX	CE 1.5A, 240 Vac	TOLERANCES ARE:
OVERTRAVEL — — — .141 MIN	RU	ONE PLACE (.0) ±.030
BASIC SWITCH REPLACEMENT — BZ-7RQ784		TWO PLACE (.00) ±.015
		THREE PLACE (.000) ±.005
		ANGLES
		WEIGHT .56 LB