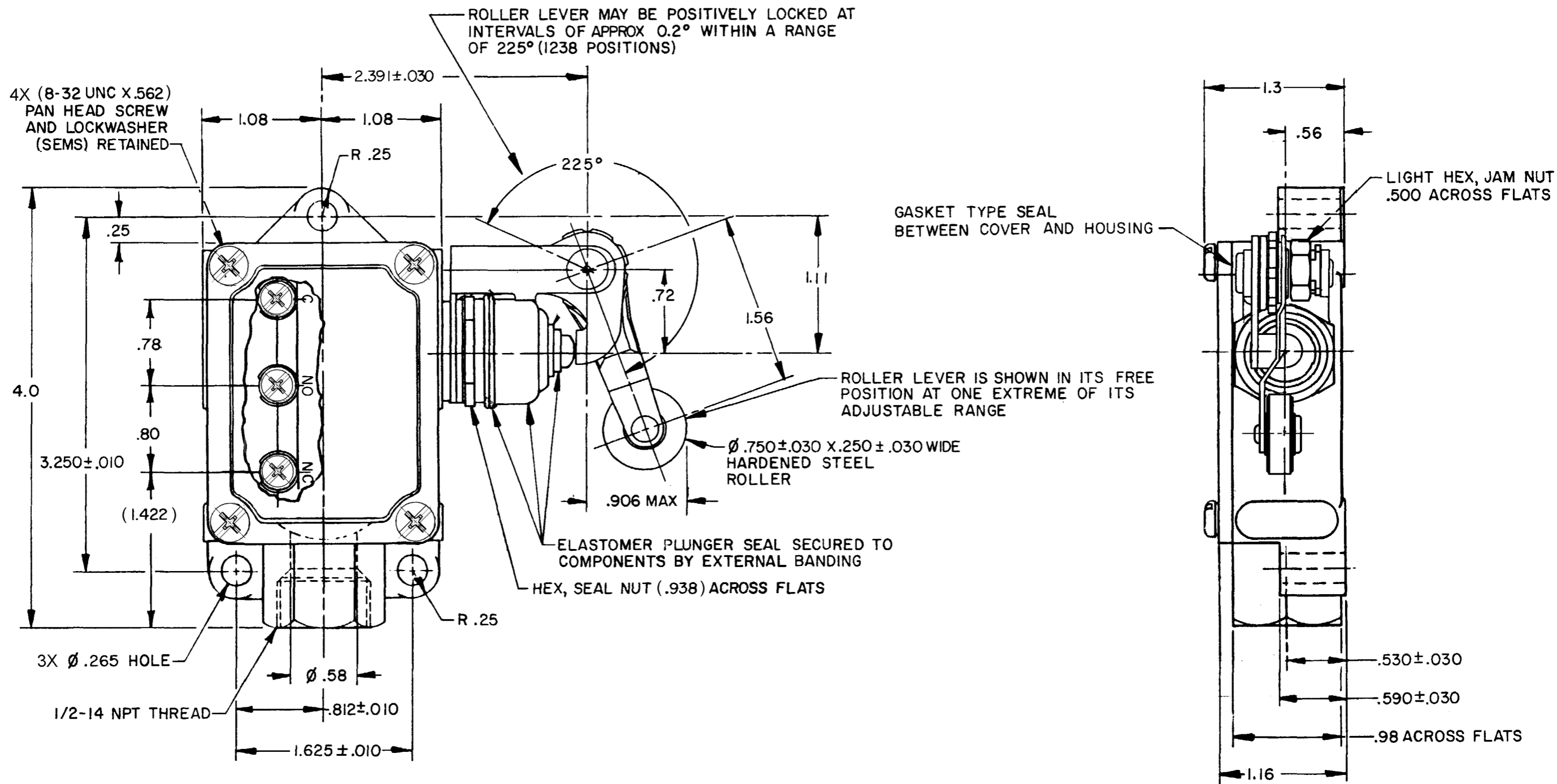


MICRO SWITCH
a Honeywell Division

SWITCH - ENCLOSED

CATALOG LISTING
BZF1-2RN2-LH
(LEFT HAND)

FED. MFG. CODE 91929



CATALOG LISTING
BZF1-2RN2-LH
PAGE 1 OF 1
REPLACES

ISSUE
M
19

REVISIONS

A	CO-73287M	6JW	16 MAY 95	01APR10	CHECK
B	CO81513B	JAK	6 MAR 97	CMH	CHECK
C	0063051	LK	01APR10	JJA	CHECK

RASTER
DRAWN
GJW
16 MAY 95

THIS DRAWING COVERS A PROPRIETARY ITEM AND IS THE PROPERTY OF MICRO SWITCH, A DIVISION OF HONEYWELL. THIS DRAWING IS NOT TO BE COPIED OR USED WITHOUT THE APPROVAL OF MICRO SWITCH

CHARACTERISTICS	ELECTRICAL DATA
OPERATING FORCE ----- 2 LB MAX	CONTACT ARRANGEMENT S P D T
RELEASE FORCE ----- 1/4 LB MIN	-L96- 15 A-125, 250, OR 480 VAC 1/2 A-125 VDC; 1/4 A-250 VDC 1/8 HP-125 VAC; 1/4 HP-250 VAC
PRETRAVEL----- .219 MAX	
DIFFERENTIAL TRAVEL ----- .008 MAX	
OVERTRAVEL ----- .219 MIN	
BASIC SWITCH REPLACEMENT BZ-2R708-P7	

THIRD ANGLE PROJECTION	
SCALE FULL	DO NOT SCALE PRINT
UNLESS OTHERWISE SPECIFIED TOLERANCES ARE	
ONE PLACE (.0)	± .030
TWO PLACE (.00)	± .015
THREE PLACE (.000)	± .005
ANGLES	±
WEIGHT .670 LB	

- NOTES**
- 1 - ROLLER LEVER BRACKET ASSEMBLY MAY BE SET IN ANY POSITION AROUND AXIS OF PLUNGER
 - 2 - 8-32 UNC X (.219) BINDER HEAD, COMBINATION, TERMINAL SCREWS AND CUP WASHERS