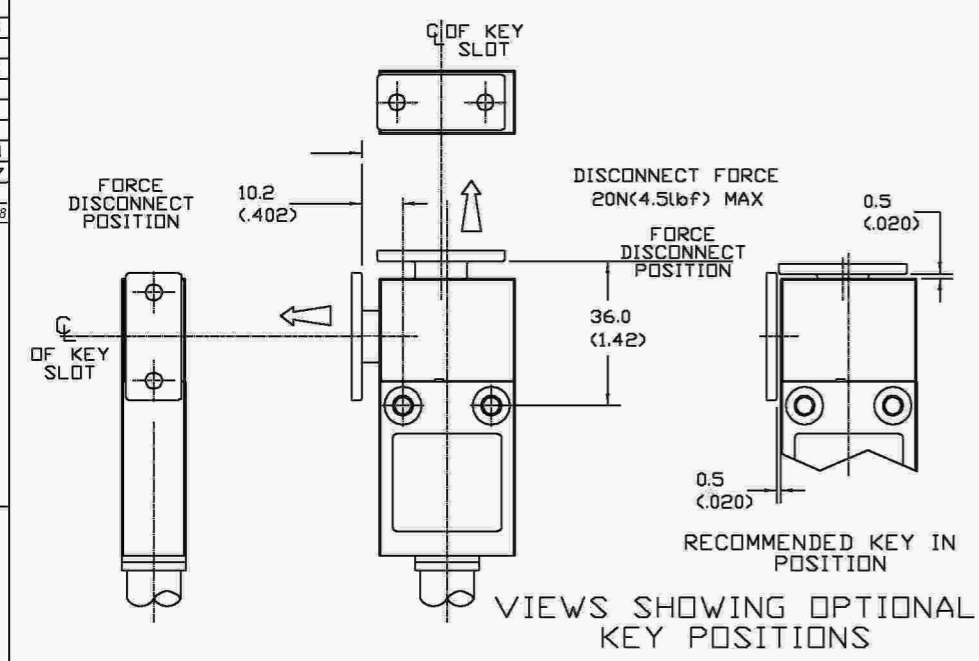
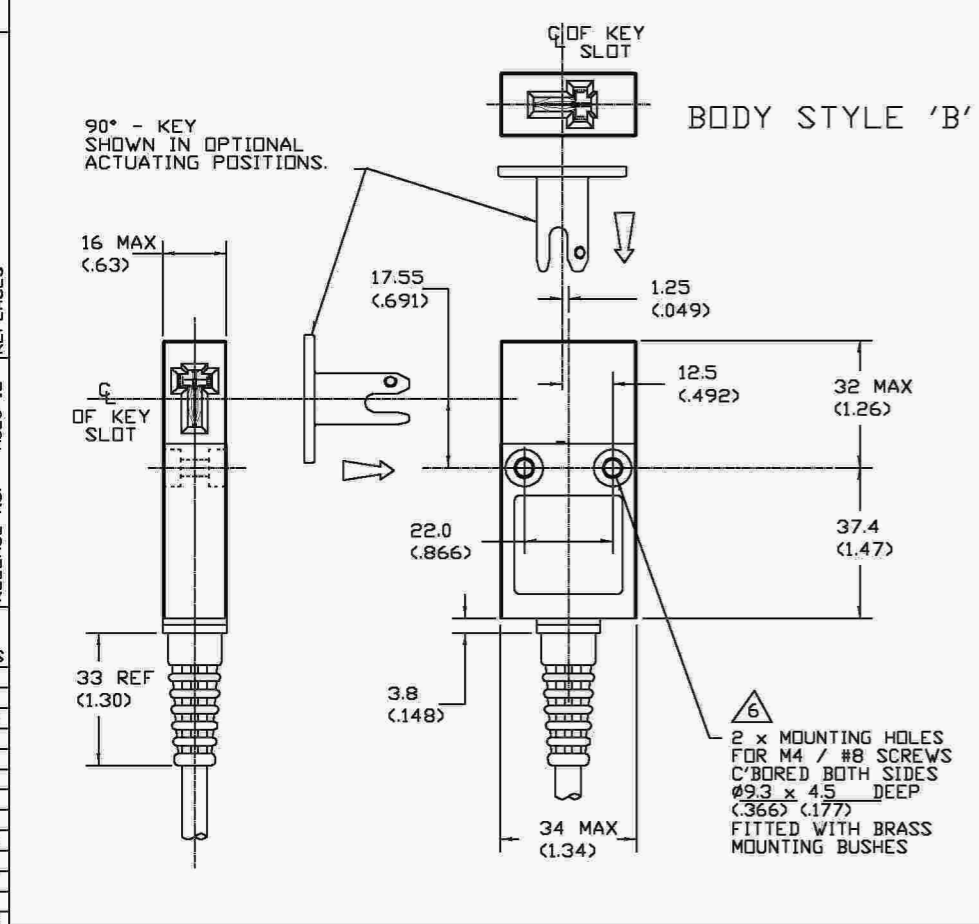


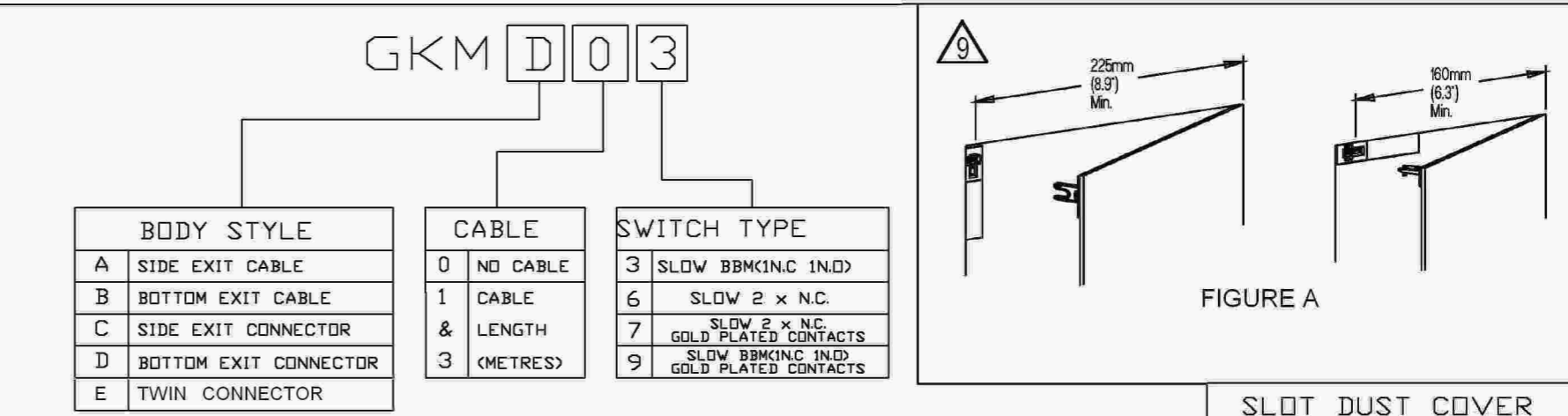
MTG-GK-207
 DRAWING NUMBER
 ISSUE 13
 REPLACES A020-12

REVISIONS
 2 PR#5
 1 WEIR
 3 CD#123
 J. BOYD
 4 CD#351
 J. BOYD
 5 DR#204
 I. WEIR
 6 CD#998
 I. WEIR
 7 CD#1197
 J. BOYD
 8 CD#1629
 J. BOYD
 9 PR#1336
 M. LOCH
 10 CD#2651
 M. LOCH
 11 0015193
 KRB
 12 0027801
 MST 24 JAN 07
 13 0039389
 KRB 03 MAY 08

DD NIT SCALE PRINT
 11/96 11/96 11/96
 MODIFY ON CAD SYSTEM ONLY
 DRAWN M. LOCH
 CHECK J. BOYD
 DESIGN J. BOYD
 AUTHOR/P. TRICKETT



ELECTRICAL RATINGS FOR BODY STYLE A, B, C, D				ELECTRICAL RATINGS BODY STYLE 'E'				ENVIRONMENTAL		APPROVALS	
STANDARD Ag CONTACTS		Au PLATE CONTACTS		STANDARD Ag CONTACTS		Au PLATED CONTACTS					
AC	DC	I _{th} = 5A	I _{th} = 2A	I _{th} = 5A	I _{th} = 2A	IP67	NEMA 1,12,13	 EN60947-5-1		SCALE - DIMENSIONS ARE IN MM/INCHES.	
3000 AC15	3000 DC13	1V 10uA MIN.	30VDC 2A MAX	1VDC 10uA MIN	30VDC 100mA MAX	TEMP RANGE : -25°C TO 85°C					
120 3	125 0.55	50V 100mA MAX.	I _{th} = 2A	30VDC 100mA MAX	I _{th} = 2A	STORAGE : -40°C TO 85°C					
240 1.5	250 0.27					-40°F TO 185°F					
U _i = 500V						SHOCK : 50G PER IEC 68-2-27					
U _{sp} = 2.5KV						VIBRATION : 10G PER IEC 68-2-6					



NOTES:-
 1. RED GLASS FILLED POLYESTER BODY, BLACK GLASS FILLED POLYAMIDE COVER AND STAINLESS STEEL KEY.
 2. ENCLOSURE DOUBLE INSULATED TO IEC 536 CLASS II.
 3. CABLE IS UL STYLE 2661, 105°C 300V. CORES HAVE 105°C RATED PVC OVER 20 AWG (16/0.2MM) BARE COPPER. OUTER SHEATH IS ALSO 105°C RATED PVC AND HAS FINAL O.D. = 6.33±0.2MM.
 4. STANDARD CONNECTOR TYPE: BRAD-HARRISON 4 PIN MICROCHANGE, DC STYLE, MALE TYPE, WITH EXTERNAL INTERLOCK THREAD (M12). CONNECTORS HAVE BLACK GLASS FILLED POLYESTER BODY.
 5. MINIMUM OPERATING VELOCITY (V_{min}) = 2.0 mm/s (0.08"/s)
 MAXIMUM OPERATING VELOCITY (V_{max}) = 200 mm/s (8"/s)
 MAXIMUM OPERATING FREQUENCY (F_{max}) = 2 Hz (120 ops/min)
 6. RECOMMENDED TIGHTENING TORQUE FOR MOUNTING SCREWS = 1 - 1.4 Nm (9 - 12 in.lbs)
 7. NEW LISTINGS WILL NOT INCLUDE ACTUATOR KEYS WHICH WILL BE SOLD SEPARATELY.
 GKZ51M = STRAIGHT KEY, GKZ52M = 90° KEY.
 STANDARD CABLE LENGTHS WILL NOW BE 1 & 3 METRES ONLY.
 8. FOR KEYWAY POSITION REFERENCE BODY STYLE "E"
 9. FOR MINIMUM DOOR RADIUS: SEE FIGURE "A"

