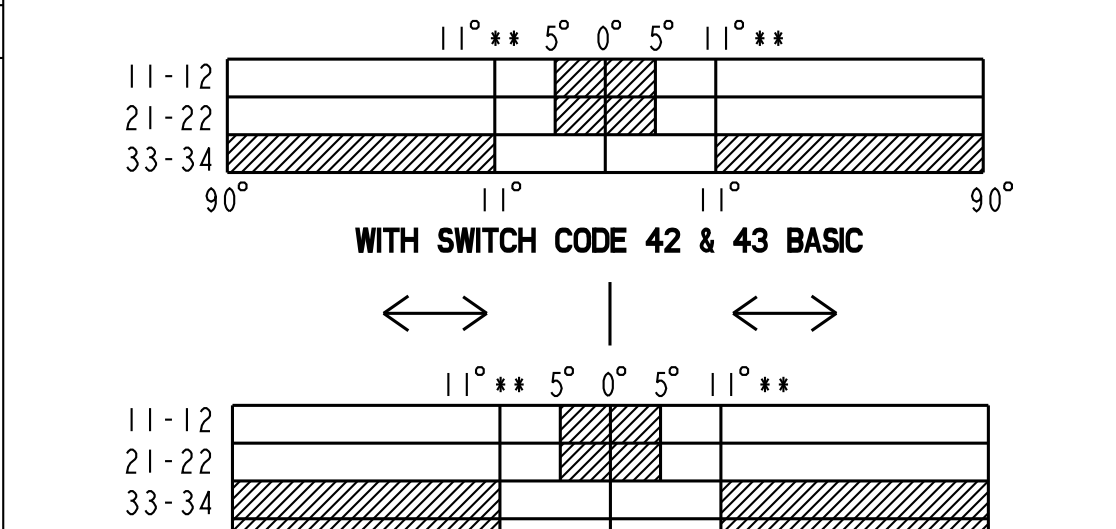
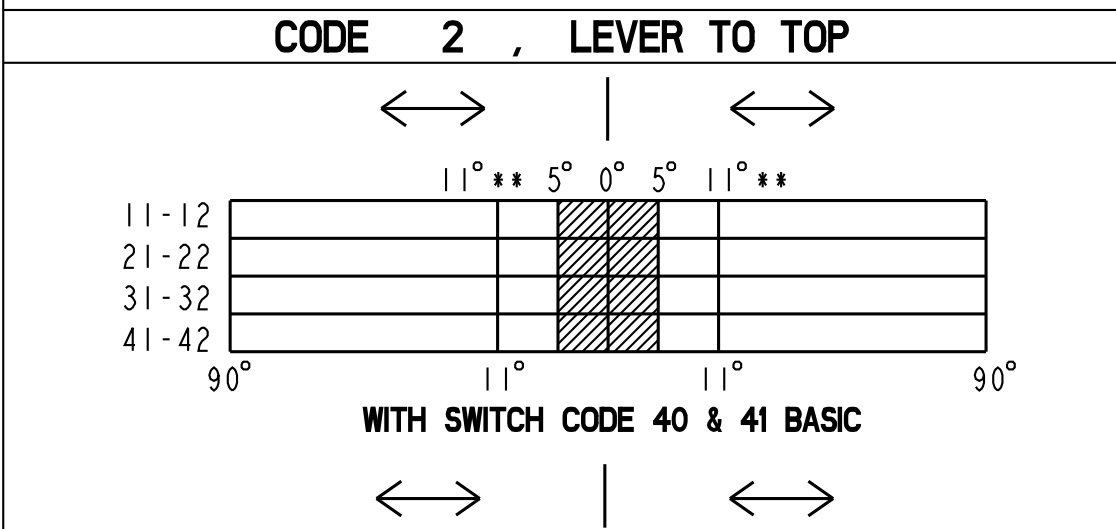
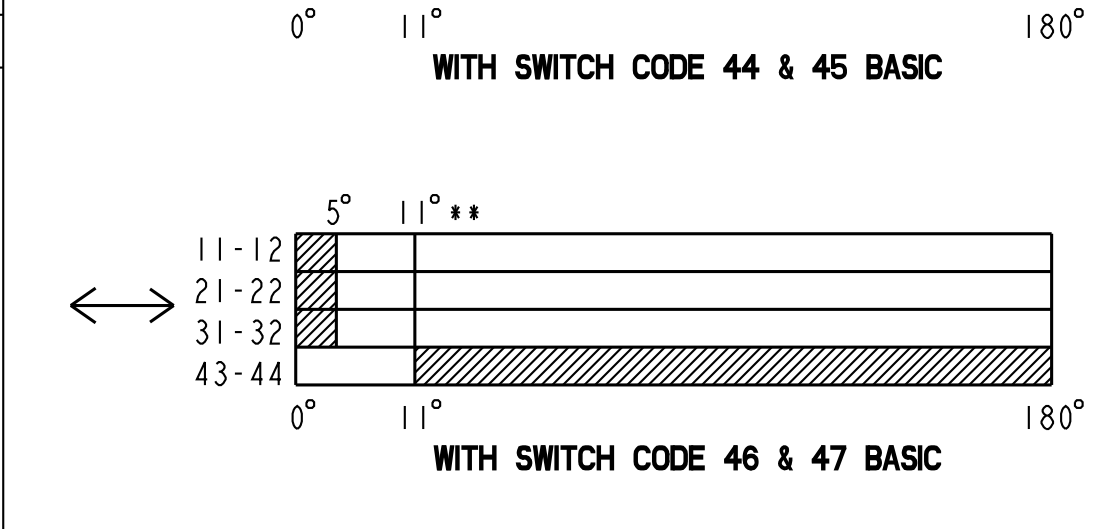
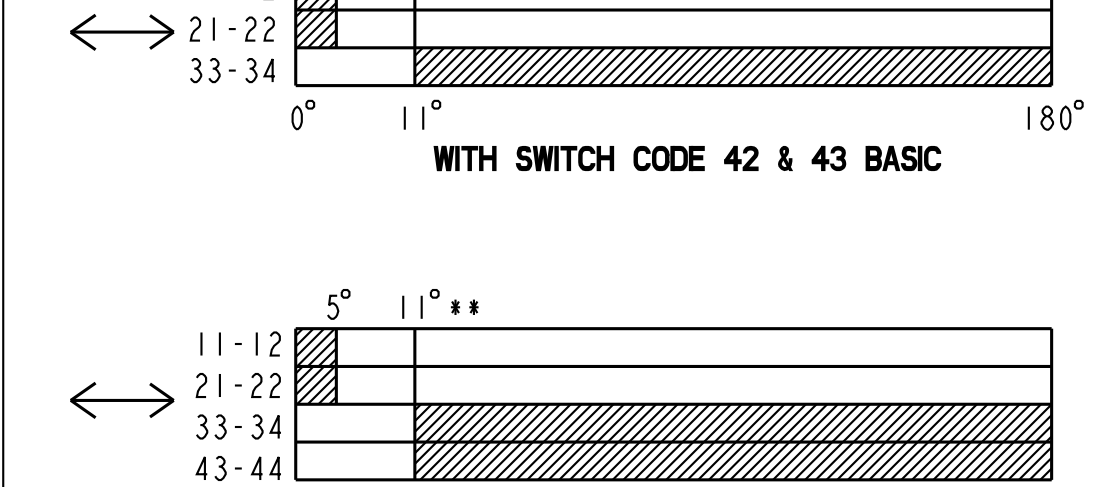
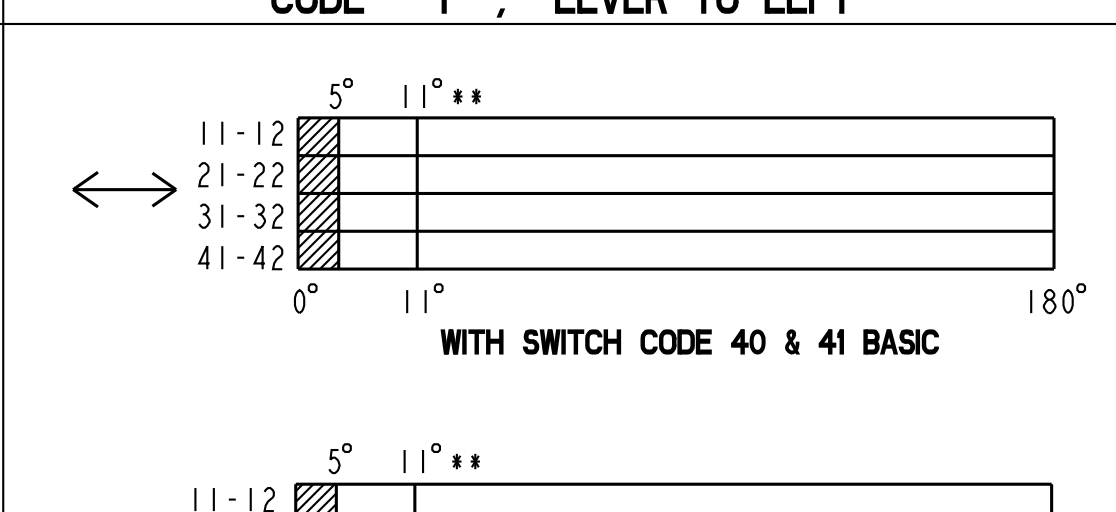
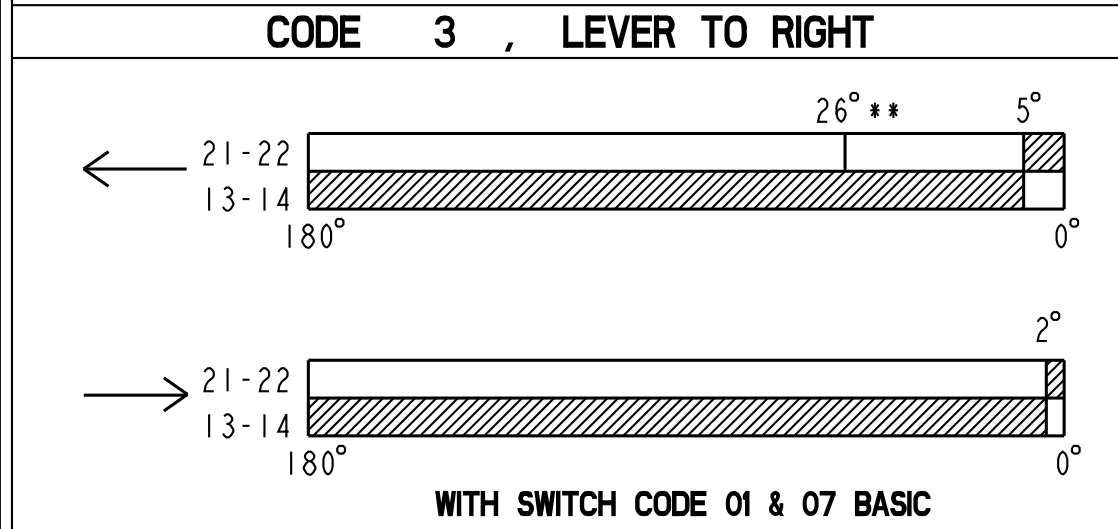
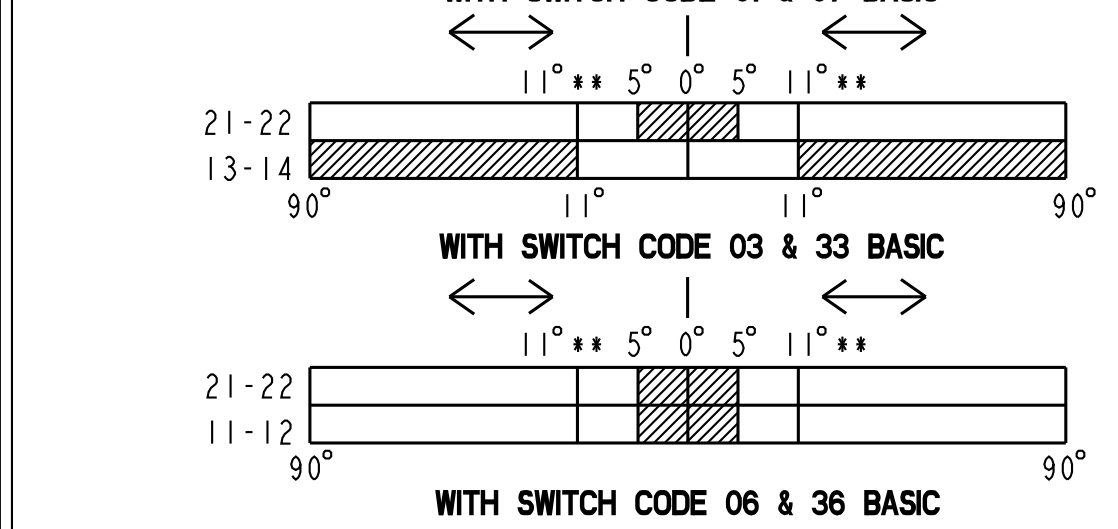
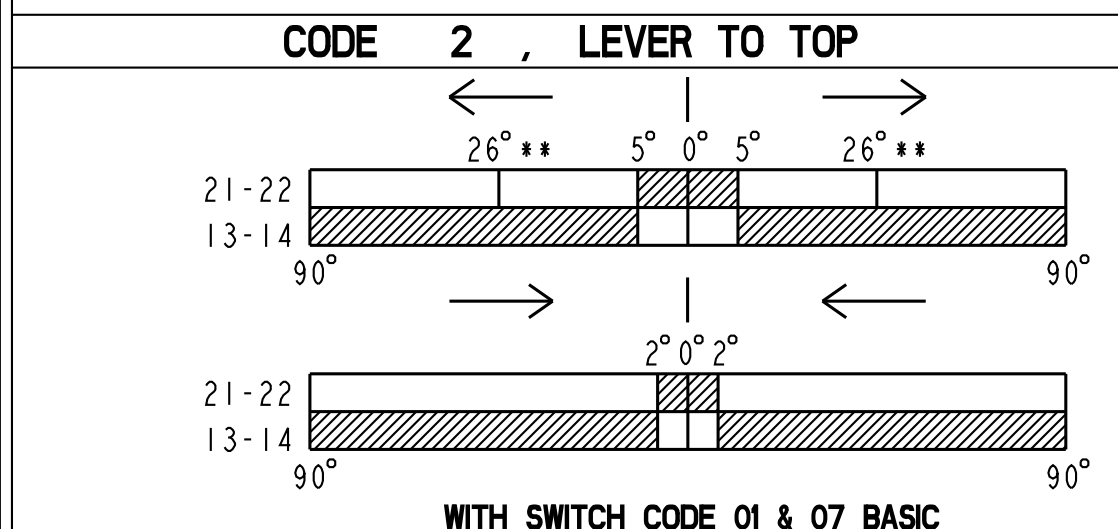
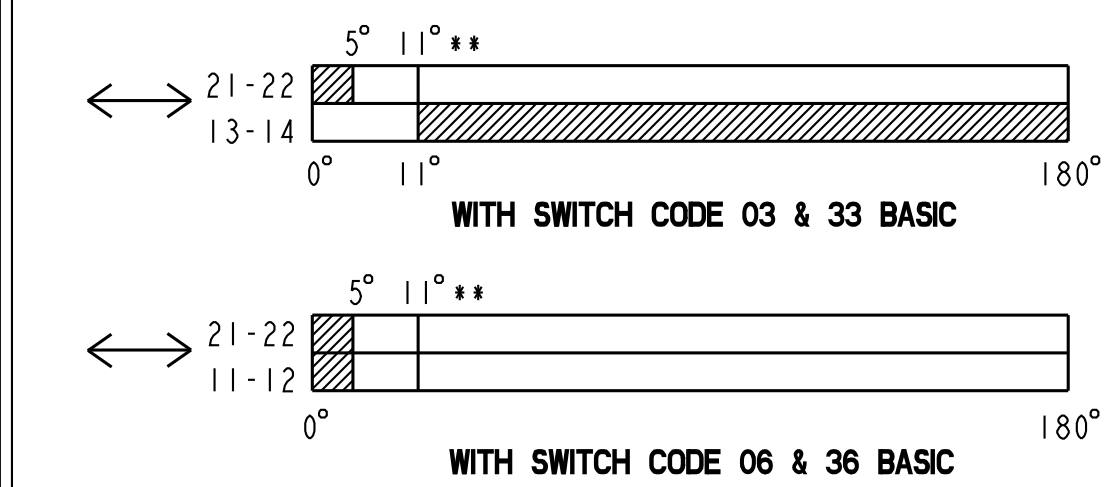
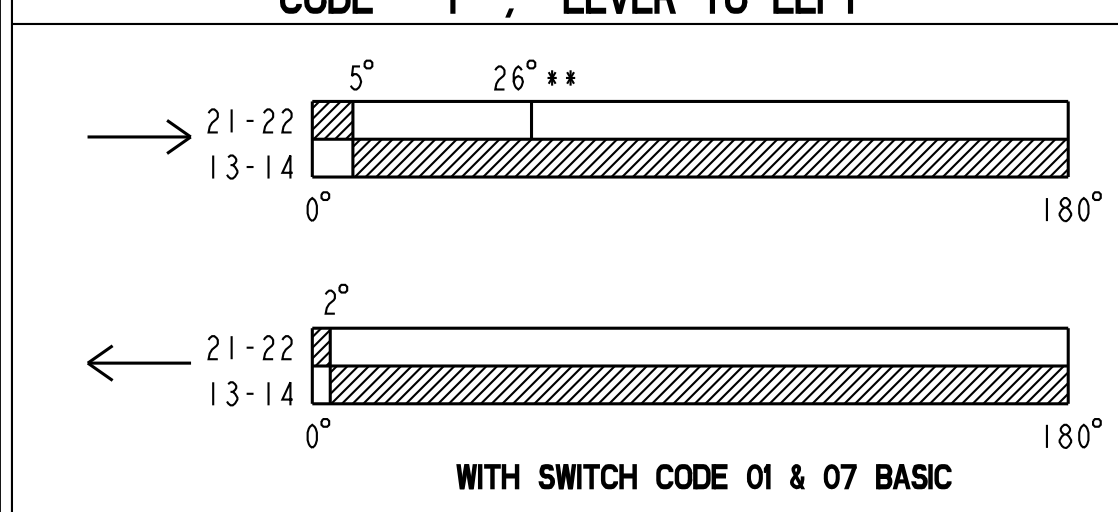
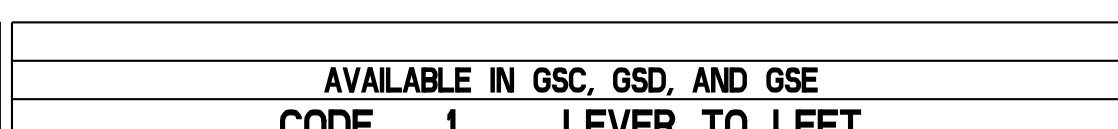
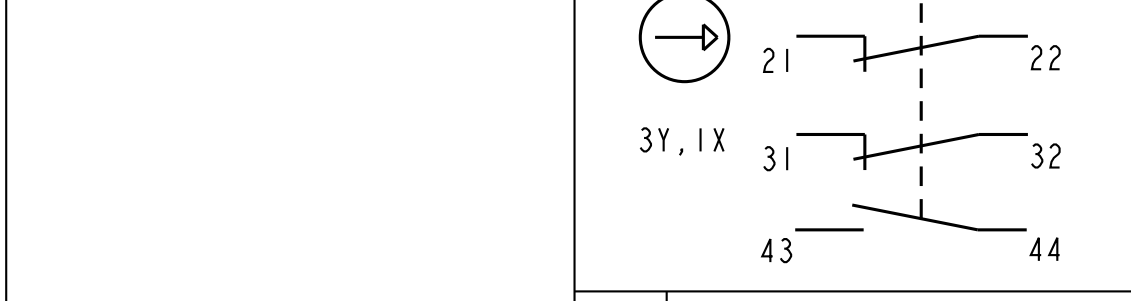
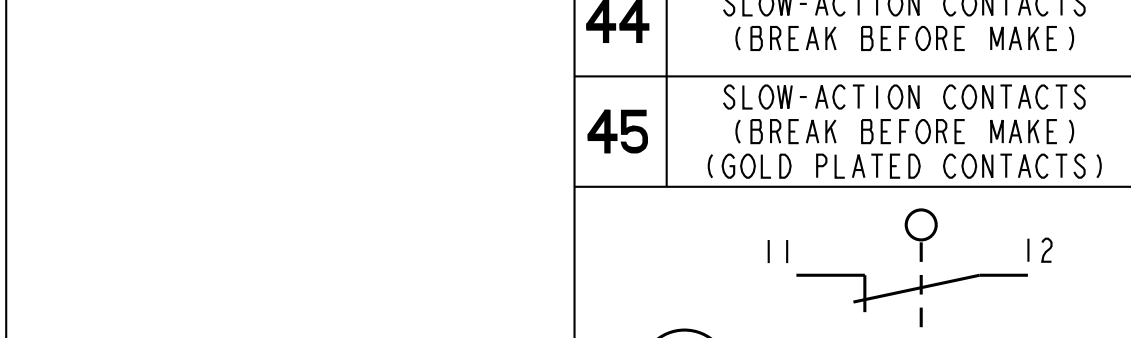
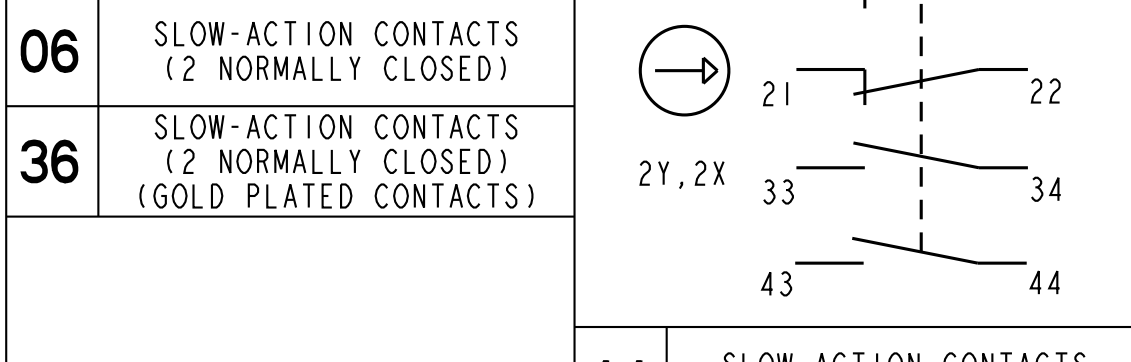
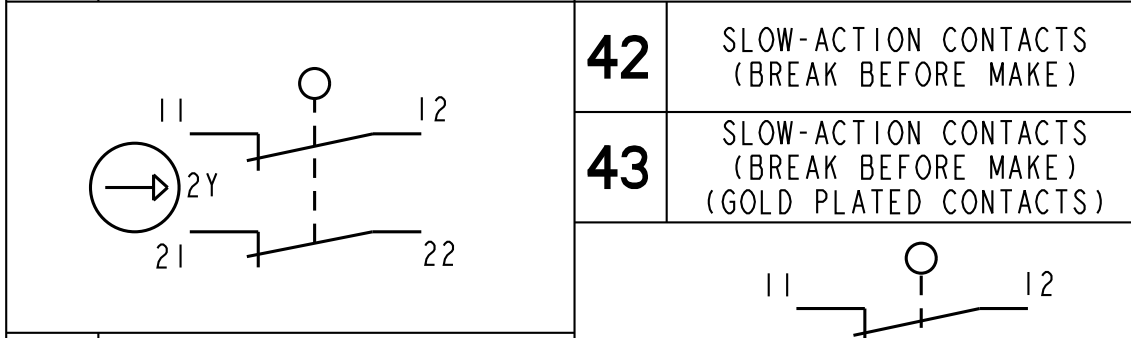
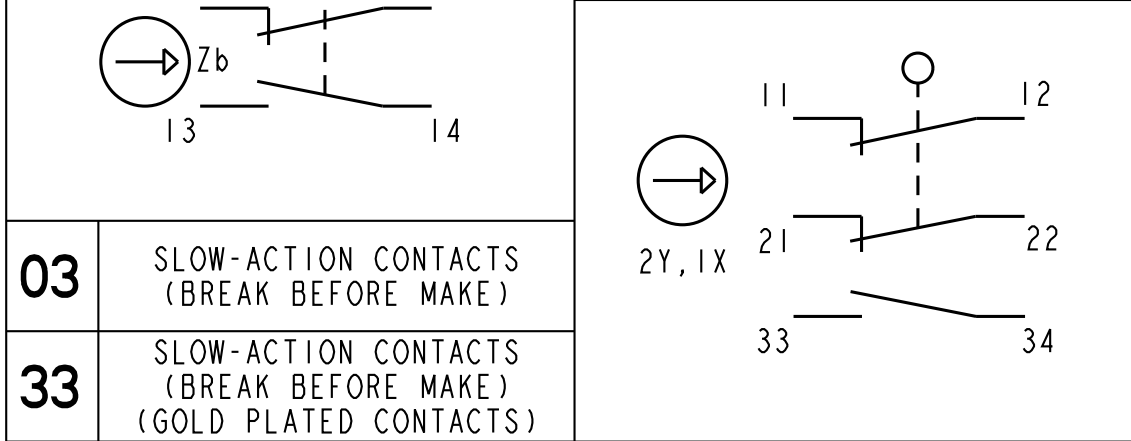
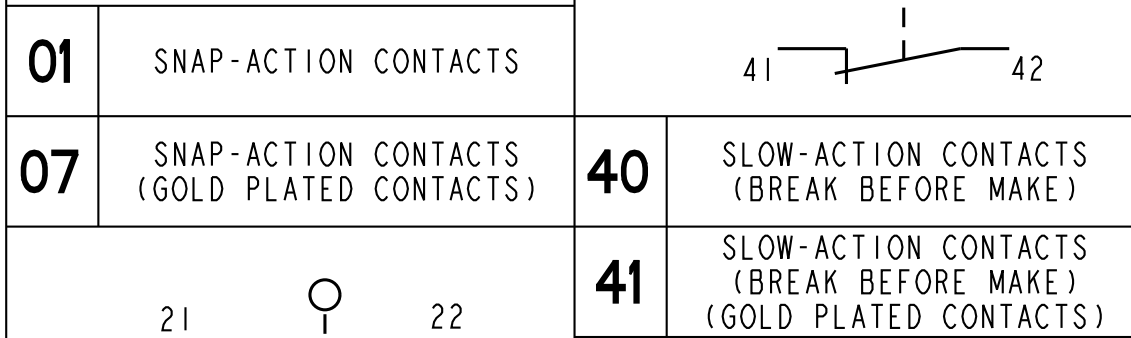
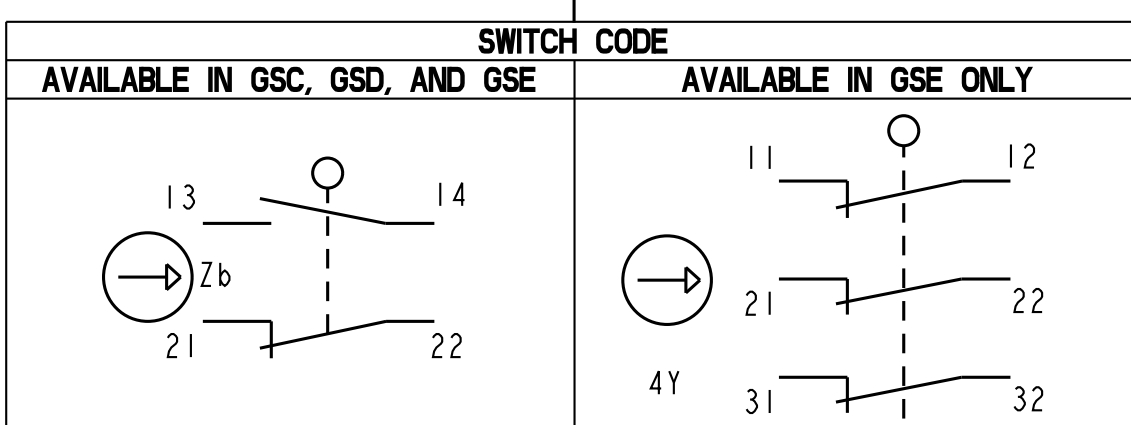
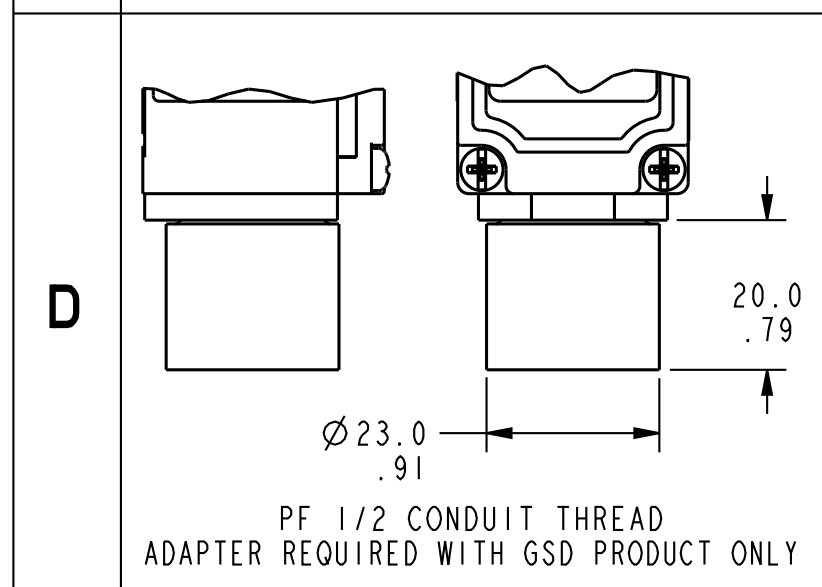
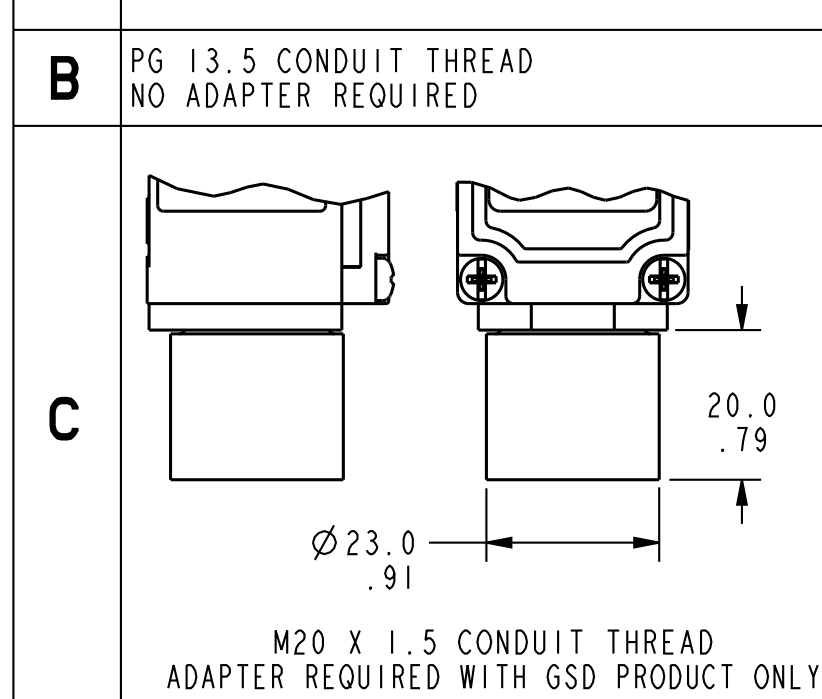
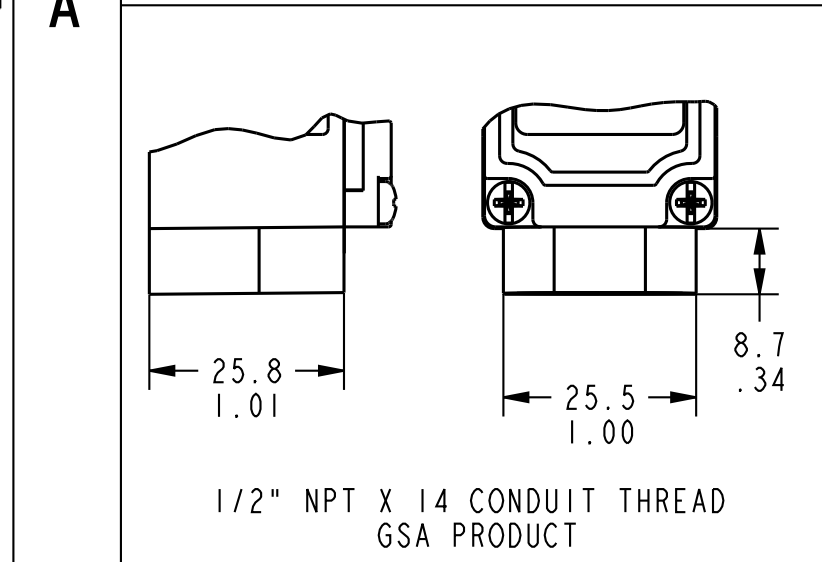
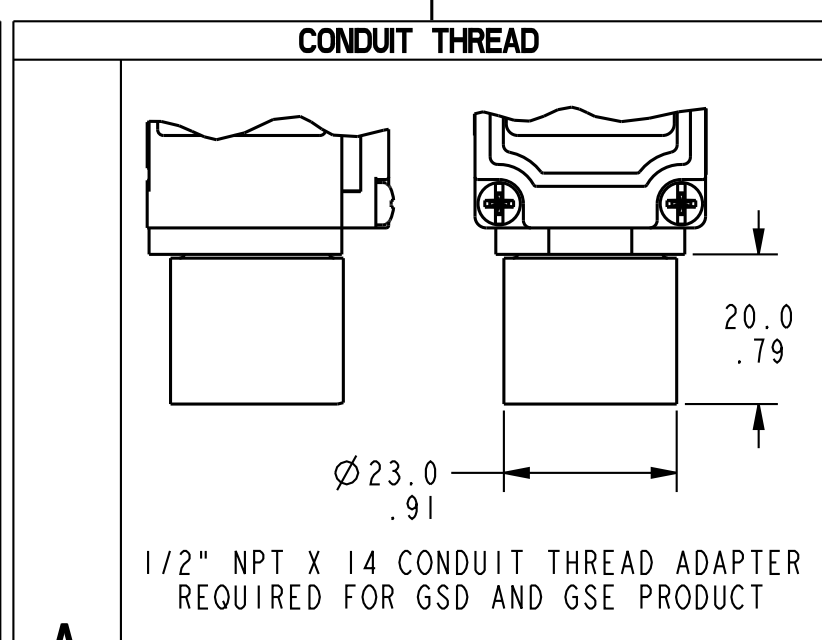




C	ZINC DIECAST BODY AND HEAD WITH STEEL COVER, BODY AND COVER FINISHED IN RED EPOXY PAINT HEAD FINISHED IN BLACK EPOXY PAINT
D	RED GLASS FILLED POLYESTER HOUSING AND COVER, ZINC DIECAST HEAD FINISHED IN BLACK EPOXY PAINT
E	ZINC DIECAST BODY AND HEAD WITH STEEL COVER, BODY AND COVER FINISHED IN RED EPOXY PAINT, HEAD FINISHED IN BLACK EPOXY PAINT 3 - CONDUIT



NOTES:

1 - MAXIMUM OPERATING TORQUE - 12 Nm / 1.1 in-lb
MAXIMUM DISCONNECT TORQUE - 16 Nm / 1.5 in-lb
MAXIMUM TIGHTENING TORQUE FOR FIXING SCREW -
0.5Nm/4.4in-lb (GSC & GSE PRODUCTS)
0.339Nm/3 in-lb (GSD PRODUCTS)

2 - IP66/IP67 NEMA 1, 4X (INDOOR USE ONLY), 12, 13 FOR GSD PRODUCTS

ELECTRICAL RATING - Ith = 10A				ENVIRONMENTAL	APPROVALS
SILVER CONTACTS		GOLD PLATED CONTACTS		IP66 NEMA 1, 4, 12, 13 TEMP RANGE: -40°C TO +85°C -40°F TO +185°F STORAGE: -40°C TO +85°C -40°F TO +185°F SHOCK: 50G PER IEC 68-2-27 VIBRATION: 100G PER IEC 68-2-6	 IEC 947-5-1 EN50047
AC FOR SWITCH CODES 01, 07, 03, 33	AC FOR SWITCH CODES 06, 36, 40, 41, 42, 43, 44, 45, 46, 47	DC			
A600 AC15 Ue Ie VOLTS AMPS 120 6 240 3 380 1.9 480 1.5 500 1.4 600 1.2	A300 AC15 Ue Ie VOLTS AMPS 120 6 240 3	Q300 DC13 Ue Ie VOLTS AMPS 125 0.55 250 0.27	1V 10uA MIN 50V 100mA MAX		

CONTACT CLOSED
 CONTACT OPEN
** POSITIVE OPENING TO IEC 947-5-1

THIS DRAWING COVERS A PROPRIETARY ITEM AND IS THE PROPERTY OF MICRO SWITCH, A DIVISION OF HONEYWELL. THIS DRAWING IS NOT TO BE COPIED OR USED WITHOUT THE APPROVAL OF MICRO SWITCH.

FED. MFG. CODE 91929 CATALOG LISTING

MICRO SWITCH
a Honeywell Division

LIMIT SWITCH

GS SERIES CHART 2

DESIGN UNITS SI METRIC US CUSTOMARY

WEIGHT TBD

THIRD ANGLE PROJECTION

SCALE FULL

DO NOT SCALE PRINT

TOLERANCES
APPLY TO DESIGN UNITS. CONVERSIONS ARE ONLY FOR REFERENCE, UNLESS NOTED. TOLERANCES ARE:

NO. PLACES	TOL.	NO. PLACES	TOL.
1	0.1	2	0.05
2	0.05	3	0.025
3	0.025	4	0.0125

