

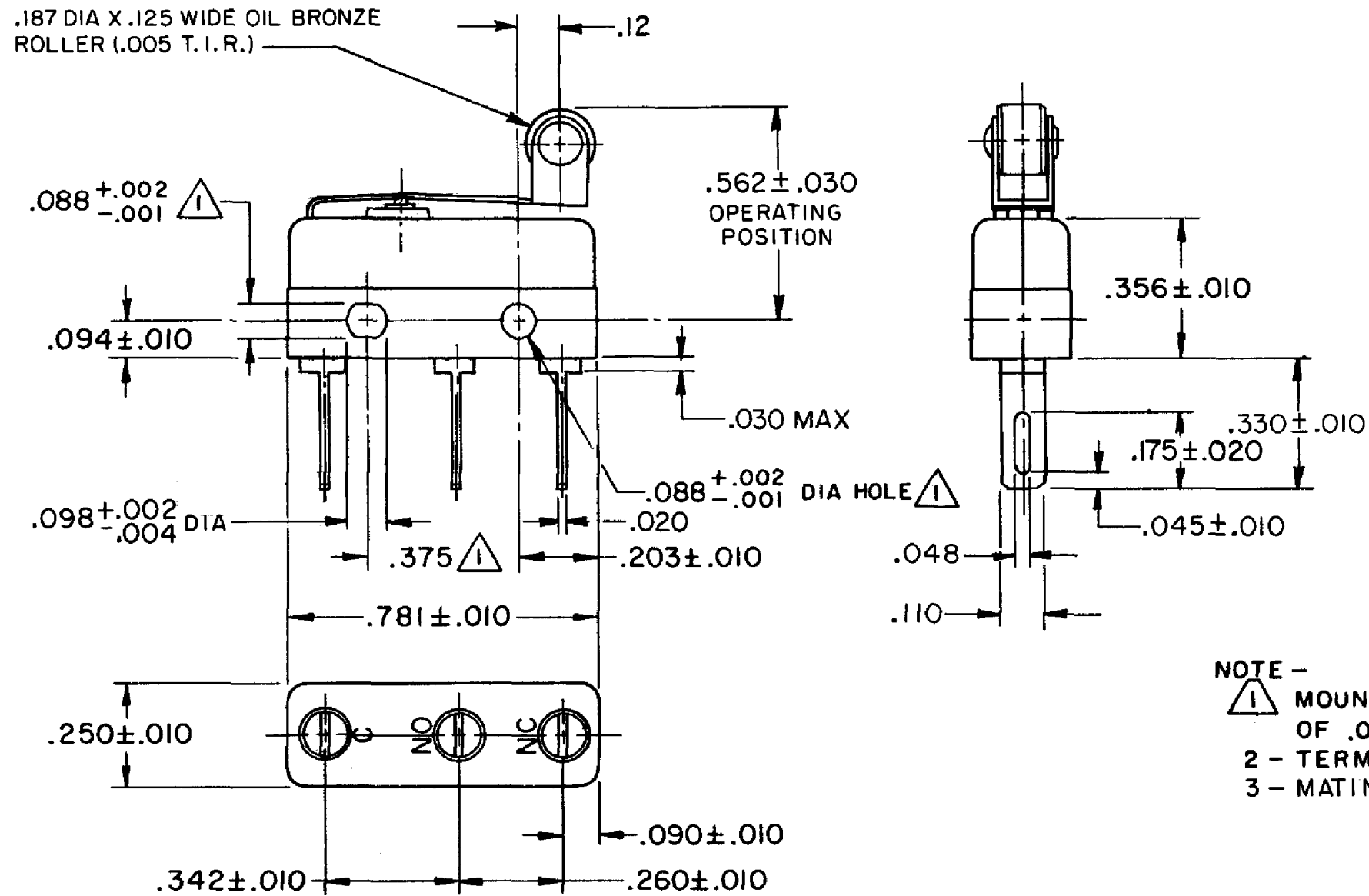
HONEYWELL
PART NUMBER
111SM23-H4
PRODUCT CODE
TYJ2301

REV	DOCUMENT	CHANGED BY	CHECK
7	0038225	PRS 04APR08	BLR

B

A

A



NOTE -
 1 MOUNTING HOLES WILL ACCEPT PINS OR SCREWS OF .087 MAX DIA ON .375 ± .002 CENTERS
 2 - TERMINALS ARE PLATED FOR SOLDERING
 3 - MATING CONTACT SURFACES ARE 24K SOLID GOLD OVERLAY

RELEASE NO.	PR - 4796
REPLACES	-

CHARACTERISTICS	
OPERATING FORCE	7 OZ MAX
RELEASE FORCE	2 OZ MIN
PRETRAVEL	.219 MAX
DIFFERENTIAL TRAVEL	.025 MAX
OVERTRAVEL	.030 MIN

ELECTRICAL DATA		
CONTACT ARRANGEMENT SPDT		
30 VOLTS DC RATING		
	SEA LEVEL	50,000 FT
INDUCTIVE	1/2 AMP	1/2 AMP
RESISTIVE	1 AMP	1 AMP
MAXIMUM INRUSH 2 AMP		
APPROVALS	KEMA, CE	1A, 250V ~ T85 1E4
	UL, CSA	1A, 125 VAC ~

DESIGN UNITS:	INCH
TOLERANCES UNLESS NOTED:	
NO PLACE	X ±
ONE PLACE	.X ±
TWO PLACE	.XX ±
THREE PLACE	.XXX ±
FOUR PLACE	.XXXX ±
ANGLES	±
THIRD ANGLE PROJECTION	

DRAWN	VK	26 OCT 07
CHECK	RJ	26 OCT 07
THIS DRAWING COVERS A PROPRIETARY ITEM AND IS THE PROPERTY OF HONEYWELL. THIS DRAWING IS NOT TO BE COPIED OR USED WITHOUT THE PERMISSION OF HONEYWELL.		
INTERPRET PER ANSI Y14.5M-1982 OTHER HONEYWELL ENGINEERING STANDARDS MAY APPLY		
RASTER		

Honeywell			
TITLE SWITCH - BASIC			
SIZE	TYPE	DRAWING NAME	REV
B	I	111SM23-H4	7
SCALE	-	WEIGHT .008 LB MAX	SHEET 1 OF 1