

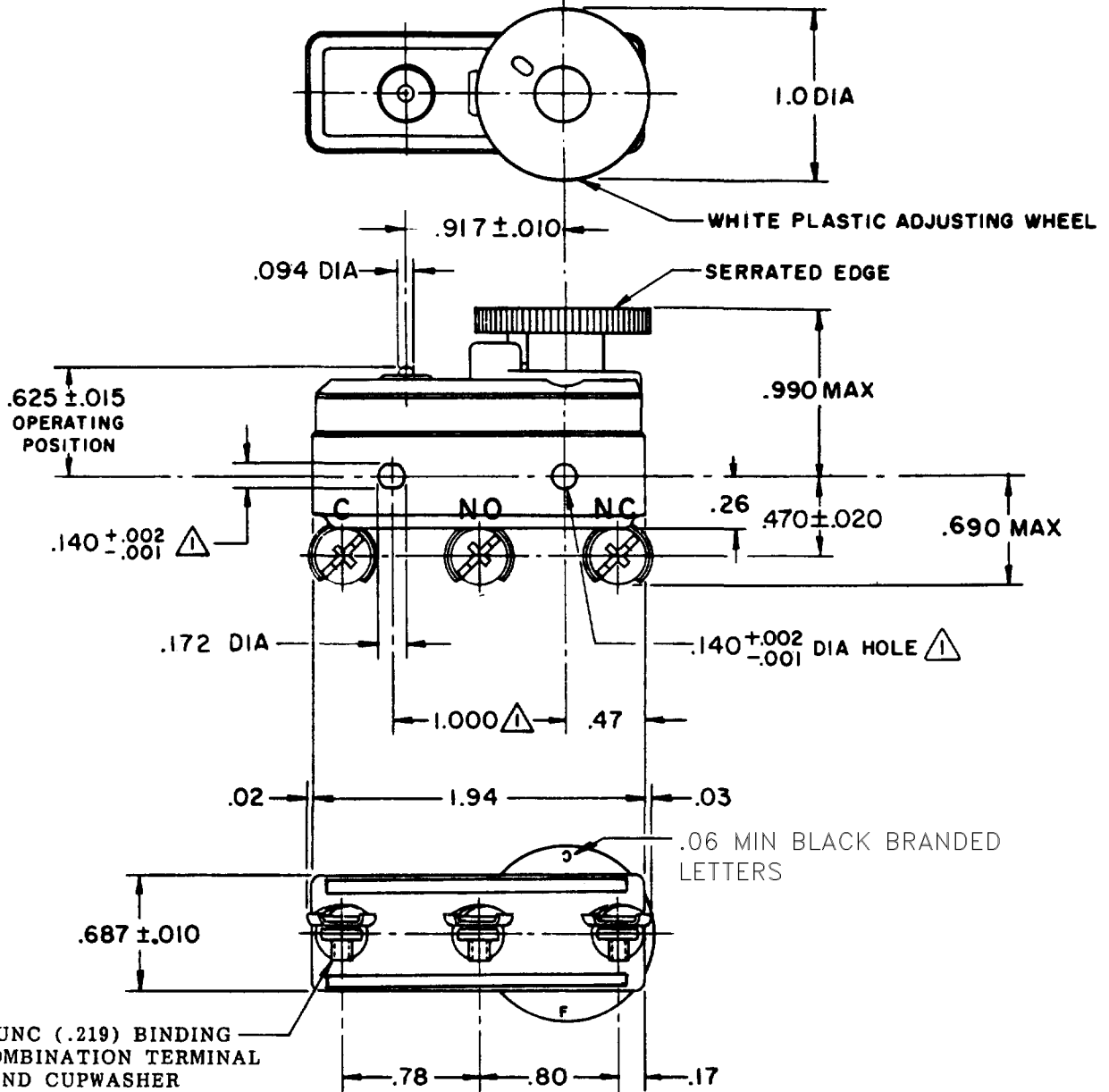
MICRO SWITCH

FREEPORT ILLINOIS, U.S.A
A DIVISION OF HONEYWELL
FED. MFG. CODE 91929

SWITCH-BASIC

CATALOG LISTING

12BS211



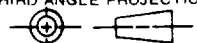
3X 8-32 UNC (.219) BINDING HEAD COMBINATION TERMINAL SCREW AND CUPWASHER

NOTES -

- 1 MOUNTING HOLES WILL ACCEPT PINS OR SCREWS OF .139 MAX DIA ON 1.000 ± .002 CENTERS
- 2 DIAL WHEEL IS SHOWN AT THE MAX SETTING OF BREAK DISTANCE
- 3 DIAL WHEEL ROTATION 300°

THIS DRAWING COVERS A PROPRIETARY ITEM AND IS THE PROPERTY OF MICRO SWITCH, A DIVISION OF HONEYWELL. THIS DRAWING IS NOT TO BE COPIED OR USED WITHOUT THE APPROVAL OF MICRO SWITCH.

THIRD ANGLE PROJECTION



CHARACTERISTICS

AT MIN SETTING
OPERATING FORCE ----- 6-10 OZ
RELEASE FORCE ----- 4 OZ MIN
DIFFERENTIAL TRAVEL ----- .0003 MAX
OVERTRAVEL ----- .005 MIN

ELECTRICAL DATA

CONTACT ARRANGEMENT
S P D T

L111
15A 125, 250 OR 277 VAC
1/8 HP 125 VAC, 1/4 HP 250 VAC



SCALE FULL

DO NOT SCALE PRINT

TOLERANCES

APPLY TO DESIGN UNITS. CONVERSIONS ARE ONLY FOR REFERENCE. UNLESS NOTED, TOLERANCES ARE ±

	DIM. mm	TOL. mm/in	DIM. in	TOL. mm/in
NO PLACES	X	1/.04	X	0.8/.03
ONE PLACE	X,X	0.4/.016	X,X	0.38/.016
TWO PLACES	X,XX	0.16/.006	X,XX	0.13/.006
THREE PLACES	X,XXX		X,XXX	
ANGLES				

DESIGN UNITS SI METRIC US CUSTOMARY

WEIGHT

12BS211

M

DRAWING NUMBER

6

ISSUE

REVISIONS

A C080053
JALA
5 APR 95

REPLACES X63270 - BS

RELEASE NO. PR-5001

CHECK

CHECK

14 MAY 75

16 MAY 75

16 MAY 75

16 MAY 75

16 MAY 75

16 MAY 75

16 MAY 75

FORMTEK

DRAWN

D B W 15 MAY 75