

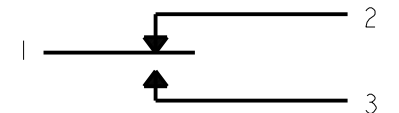
MICRO SWITCH
a Honeywell Division

FED. MFG. CODE 91929

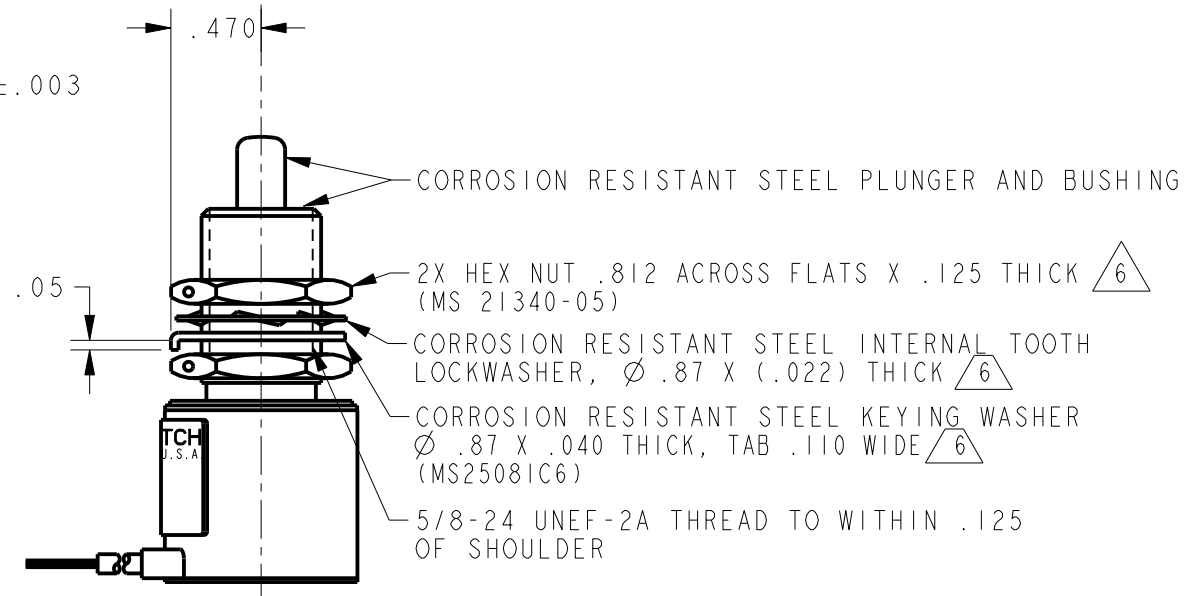
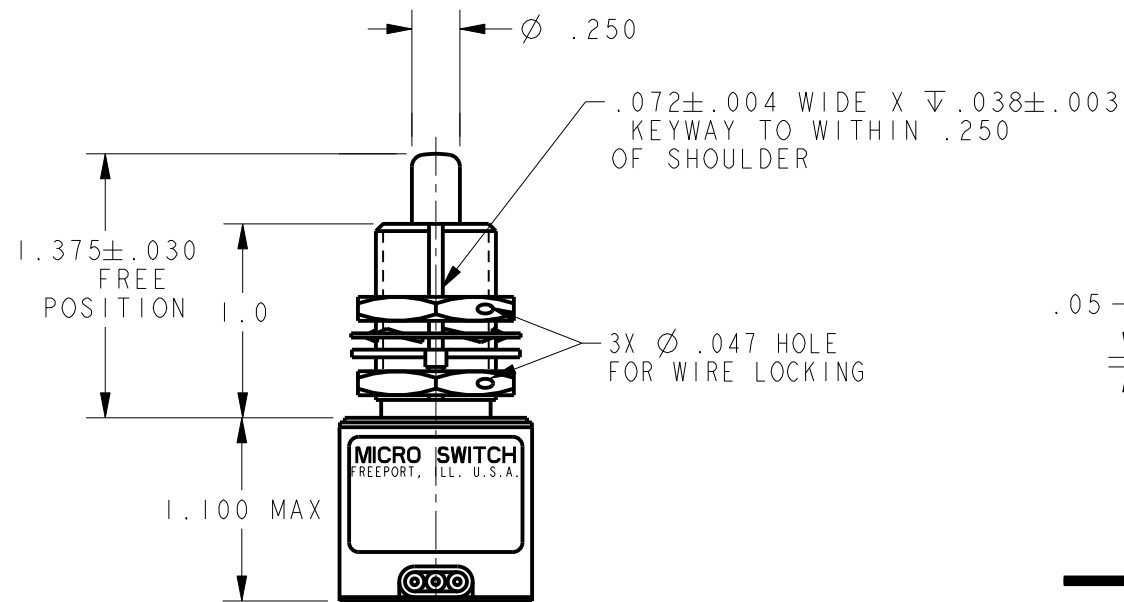
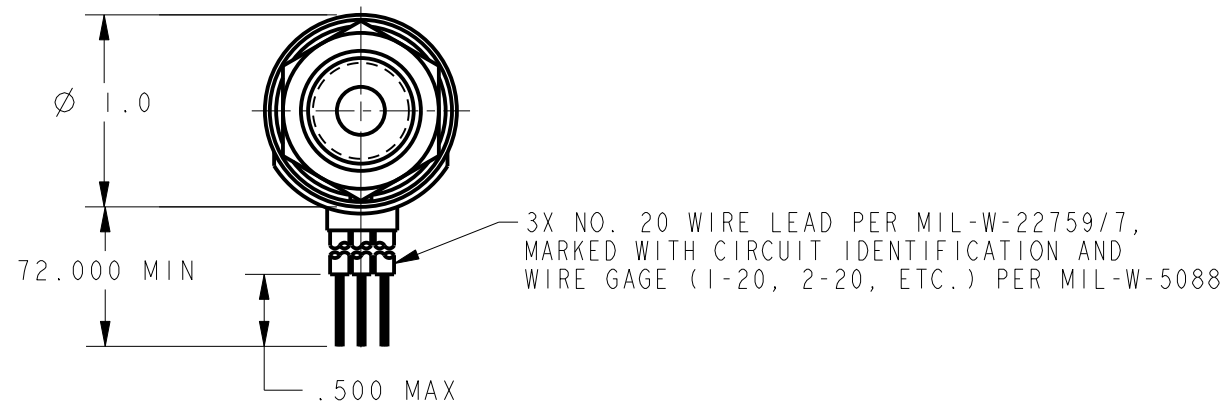
SWITCH - ENCLOSED

CATALOG LISTING

1HE222-6



CIRCUIT DIAGRAM



CATALOG LISTING
1HE222-6

PAGE 1 OF 1

ISSUE **4**

REVISIONS

A	202192	6 J W	22 JAN 01
B	0035712	BS	28DEC07

ASD

CHECK

CHECK

CHECK

CHECK

CHECK

CHECK

CHECK

CHECK

CHECK

CHECK

THIS DRAWING COVERS A PROPRIETARY ITEM AND IS THE PROPERTY OF MICRO SWITCH, A DIVISION OF HONEYWELL. THIS DRAWING IS NOT TO BE COPIED OR USED WITHOUT THE APPROVAL OF MICRO SWITCH

CHARACTERISTICS	
OPERATING FORCE	6-12 LB
FULL OVERTRAVEL FORCE	30 LB MAX
RELEASE FORCE	4 LB MIN
PRETRAVEL	.040 MAX
DIFFERENTIAL TRAVEL	.020 MAX
OVERTRAVEL	.250 MIN

ELECTRICAL DATA	
CONTACT ARRANGEMENT IX SPDT (7)	
LOAD	28 VDC SEA LEVEL AND 100,000FT
RES	1.0
IND	0.5

THIRD ANGLE PROJECTION	
SCALE	FULL
DO NOT SCALE PRINT	
UNLESS OTHERWISE SPECIFIED TOLERANCES ARE	
ONE PLACE	(.0) ±.030
TWO PLACE	(.00) ±.015
THREE PLACE	(.000) ±.005
ANGLES	±
WEIGHT	7.5 OZ MAX

NOTES

- ENCLOSURE FINISHED WITH BLUE EPOXY ENAMEL COLOR NO. 25184 PER FEDERAL STANDARD 595
- CIRCUIT DIAGRAM, CATALOG LISTING, DATE CODE AND FED. MDG. CODE SHOWN ON NAMEPLATE
- FOR OPERATION IN TEMPERATURES OF -65°F TO +257°F
- COINCIDENCE OF OPERATING AND RELEASING POINTS: .010 INCH OF PLUNGER TRAVEL
- SWITCH SEALED PER MIL-PRF-8805 SYMBOL 5
- HARDWARE MAY BE PACKAGED UNASSEMBLED PER MIL-PRF-8805
- BIFURCATED GOLD CONTACT BASIC SWITCHES

ANSI Y14.5M-1982 APPLIES

PTC/CAD 2D

DRAWN

G J W 21 JAN 01

S A V 21 JAN 01

ASD 28DEC07

RELEASE NO.

REPLACES