

MICRO SWITCH

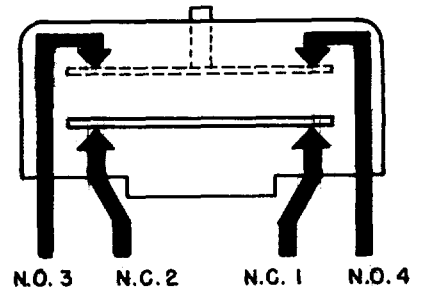
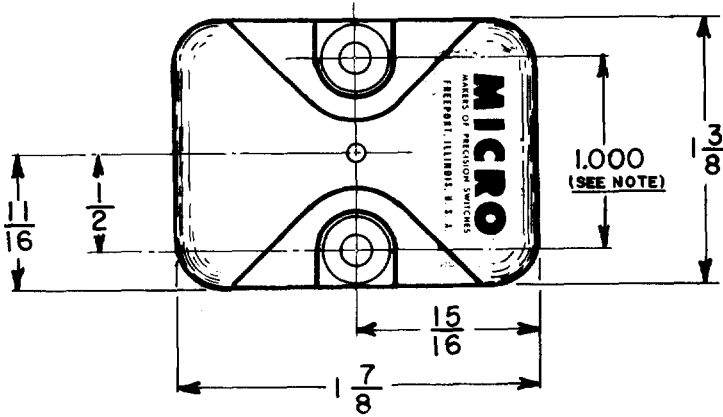
a Honeywell Division

FED. MF6. CODE 91929

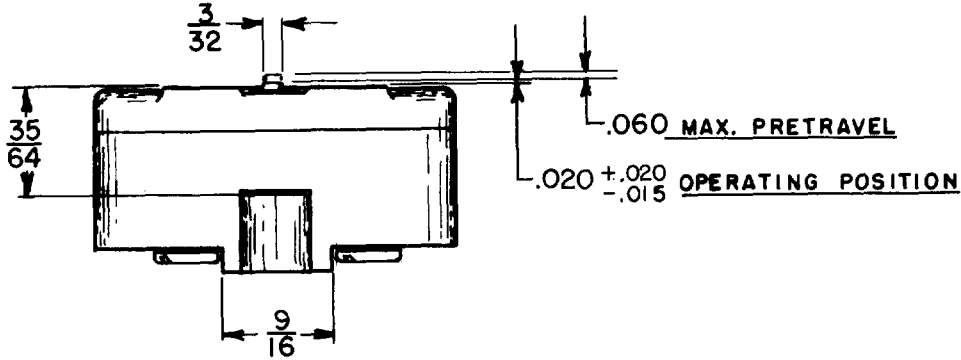
SWITCH - BASIC

CATALOG LISTING

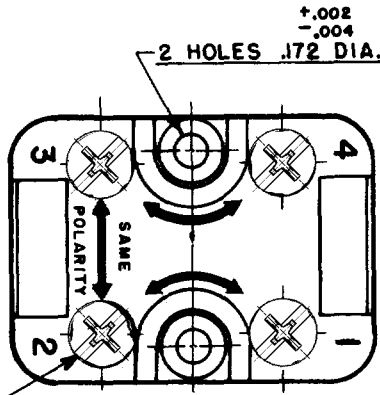
IMNI



CIRCUIT DIAGRAM

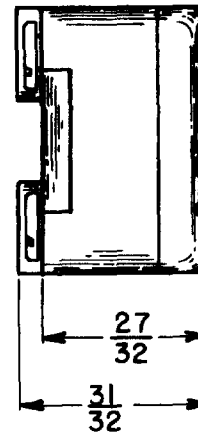


CATALOG LISTING
 IMNI
 PAGE 1 OF 1
 RELEASE NO. PR-3259
 REPLACES
 ISSUE
 M
 6
 CHECK
 REVISIONS
 A
 CO-73287M
 GJW
 18 MAY 95
 CHECK
 JJA
 25 MAY 95
 CHECK
 GJW
 18 MAY 95
 DRAWN
 FORMTEK



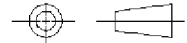
NOTE

1 - MOUNTING HOLES WILL ACCEPT NO. 8 SCREWS ON 1.000 ± .002 CENTERS



THIS DRAWING COVERS A PROPRIETARY ITEM AND IS THE PROPERTY OF MICRO SWITCH, A DIVISION OF HONEYWELL. THIS DRAWING IS NOT TO BE COPIED OR USED WITHOUT THE APPROVAL OF MICRO SWITCH.

THIRD ANGLE PROJECTION



CHARACTERISTICS

OPERATING FORCE-----12-20 OZ.
RELEASE FORCE -----6 OZ. MIN.
DIFFERENTIAL TRAVEL-----.020±.008
OVERTRAVEL-----.010 MIN.

ELECTRICAL DATA

CONTACT ARRANGEMENT
SEE CIRCUIT DIAGRAM

10 A-120,240,480 OR 600 VAC; 1/2 HP-120 VAC,
 1 H.P.-240 VAC, 0.8 A-115 VDC, 0.4 A-230 VDC
PILOT DUTY RATING: 600 VAC MAX.

SCALE FULL

DO NOT SCALE PRINT

UNLESS OTHERWISE SPECIFIED TOLERANCES ARE
 ONE PLACE (.0) ±.030
 TWO PLACE (.00) ±.015
 THREE PLACE (.000) ±.005
 ANGLES ±
 WEIGHT