

MICRO SWITCH
FREEPORT ILLINOIS U.S.A.
A DIVISION OF HONEYWELL
FED. MFG. CODE 91929

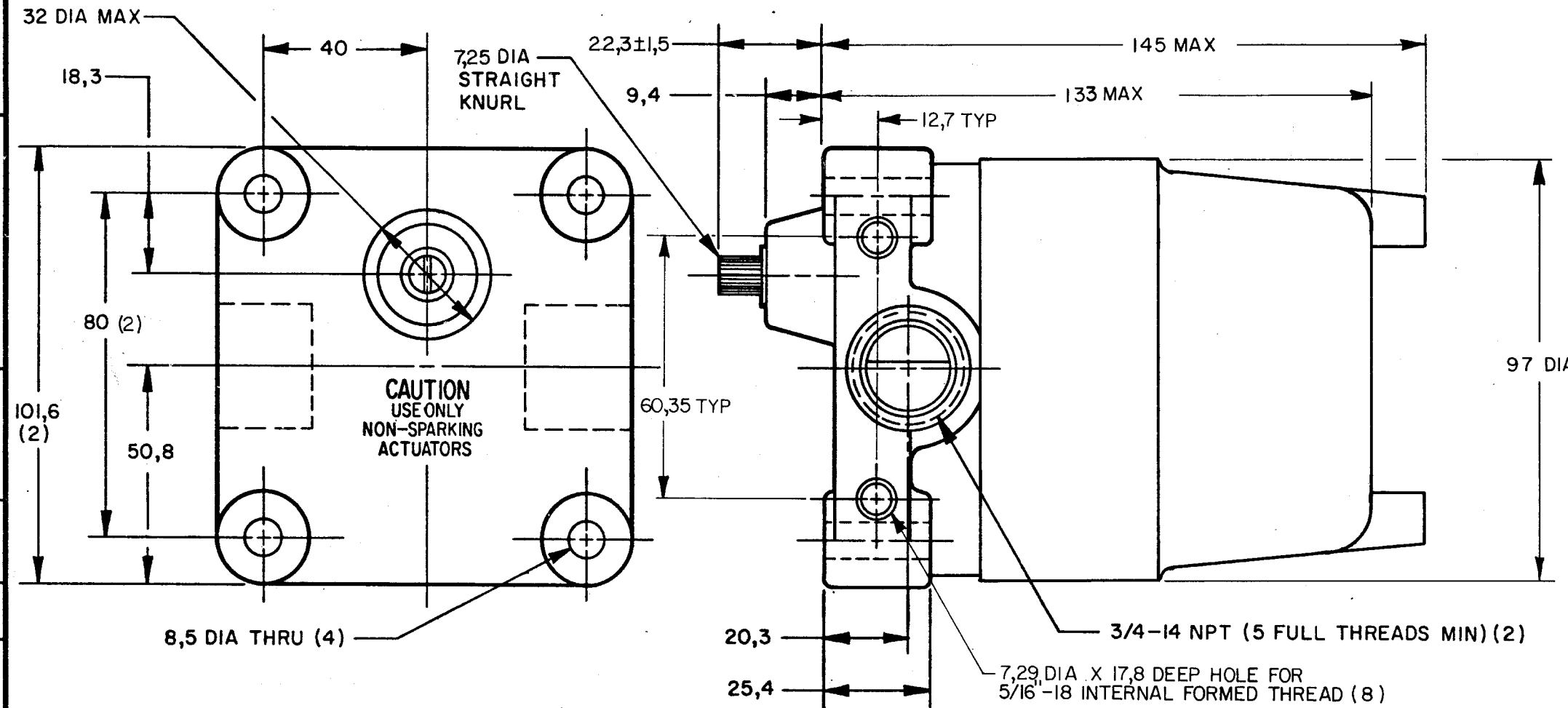
SWITCH-ENCLOSED

CATALOG LISTING
26CX
SERIES CHT 2

CONVERSION CHART

5,55	.219
7,25	.285
7,29	.287
8,5	.33
9,4	.37
12,7	.50
17,8	.70
18,3	.72
20,3	.80
22,3±1,5	.880±.059
25,4	1.00
32,0	1.26
40,0	1.57
50,8	2.00
60,35	2.38
80,0	3.15
97,0	3.82
101,6	4.00
133,0	5.24
145,0	5.71
0,5 Nm	.3 PF
1.25 Kg	2.75 LB

26CX SERIES CHT 2
 DRAWING NUMBER
 ISSUE 9
 RELEASE NO. PR-7450
 REPLACES



REVISIONS
 A PR-10696
 2 KAG NOV 81
 B CO 53444
 WJM 18 JAN 84
 C CO55589
 2 KJS AUG 84
 D CO56479
 2 KEW JAN 85
 E CO57575
 28 JAS JUNE 85
 F CO58369
 20 KEW NOV 85
 G CO61401
 17 DAW APR 87
 H CO80111
 21 JAK MAR 95
 CHECK CEB 2 NOV 78
 CHECK S.L.B 27 OCT 78
 DRAWN FO-5285 1-A

- NOTES**
- 1 - EXPLOSION PROOF-UNDERWRITERS LAB INC LISTING FOR HAZARDOUS LOCATIONS CLASS I, GROUPS B, C, AND D; CLASS II, GROUPS E, F, AND G
 - 2 - ALUMINUM ENCLOSURE FINISHED WITH BLUE AND BLACK EPOXY PAINT
 - 3 - 6-32 UNC X 5,55 REF BINDING HEAD TERMINAL SCREW AND CUP WASHER (3 PER BASIC)
 - 4 - CAMS MAY BE REPOSITIONED IN 7°20' INCREMENTS
 - 5 - FOR USE IN TEMPERATURES UP TO 85°C
 - 6 - UNIT PROVIDES NO SHAFT RESTORING FORCE, THE ACTUATING DEVICE MUST CONTROL MOVEMENT OF SHAFT
 - 7 - SEE (M) 7CX CHART 1 AND 2 FOR LEVER ACTUATORS

THIS DRAWING COVERS A PROPRIETARY ITEM AND IS THE PROPERTY OF MICRO SWITCH, A DIVISION OF HONEYWELL. THIS DRAWING IS NOT TO BE COPIED OR USED WITHOUT THE APPROVAL OF MICRO SWITCH.

CHARACTERISTICS		26CX
OPERATING FORCE	---	0,50 Nm MAX
PRETRAVEL	---	30° MAX
DIFFERENTIAL TRAVEL	---	20° MAX
OVERTRAVEL	---	75° MIN

THIRD ANGLE PROJECTION

CONTACT ARRANGEMENT
S P D T
(EACH BASIC)

SCALE 3/4 TO 1
DO NOT SCALE PRINT
TOLERANCES
APPLY TO DESIGN UNITS. CONVERSIONS ARE ONLY FOR REFERENCE. UNLESS NOTED, TOLERANCES ARE ±

DIM.	TOL.	DIM.	TOL.
mm	mm/in	in	mm/in
NO PLACES	±	1/64	± 0.0125
ONE PLACE	± .X	0.0018	± 0.0100
TWO PLACES	± .XX	0.0008	± 0.0050
THREE PLACES	± .XXX	0.0005	± 0.0025

DESIGN UNITS: SI METRIC US CUSTOMARY
 RAW MATERIAL-COMMERCIAL STANDARD
 MICRO SWITCH STANDARDS APPLY
 DIMENSIONS ARE TO BE MET BEFORE
 PROTECTIVE COATINGS ARE APPLIED
 WEIGHT 1,25 Kg APPROX

CAT. LIST.	DESCRIPTION	ELECTRICAL DATA
26CX16	4 BASICS; 2 OPERATE CW ONLY; 2 OPERATE COUNTER CLOCKWISE ONLY	UL LISTED-FILE E14274 CODE L22 1A-125 VAC
26CX14	4 BASICS; EACH OPERATES CLOCKWISE AND COUNTER CLOCKWISE	