

MICRO SWITCH

FREEPORT, ILLINOIS U S A
A DIVISION OF HONEYWELL

FED. MFG. CODE 91929

SWITCH-ENCLOSED

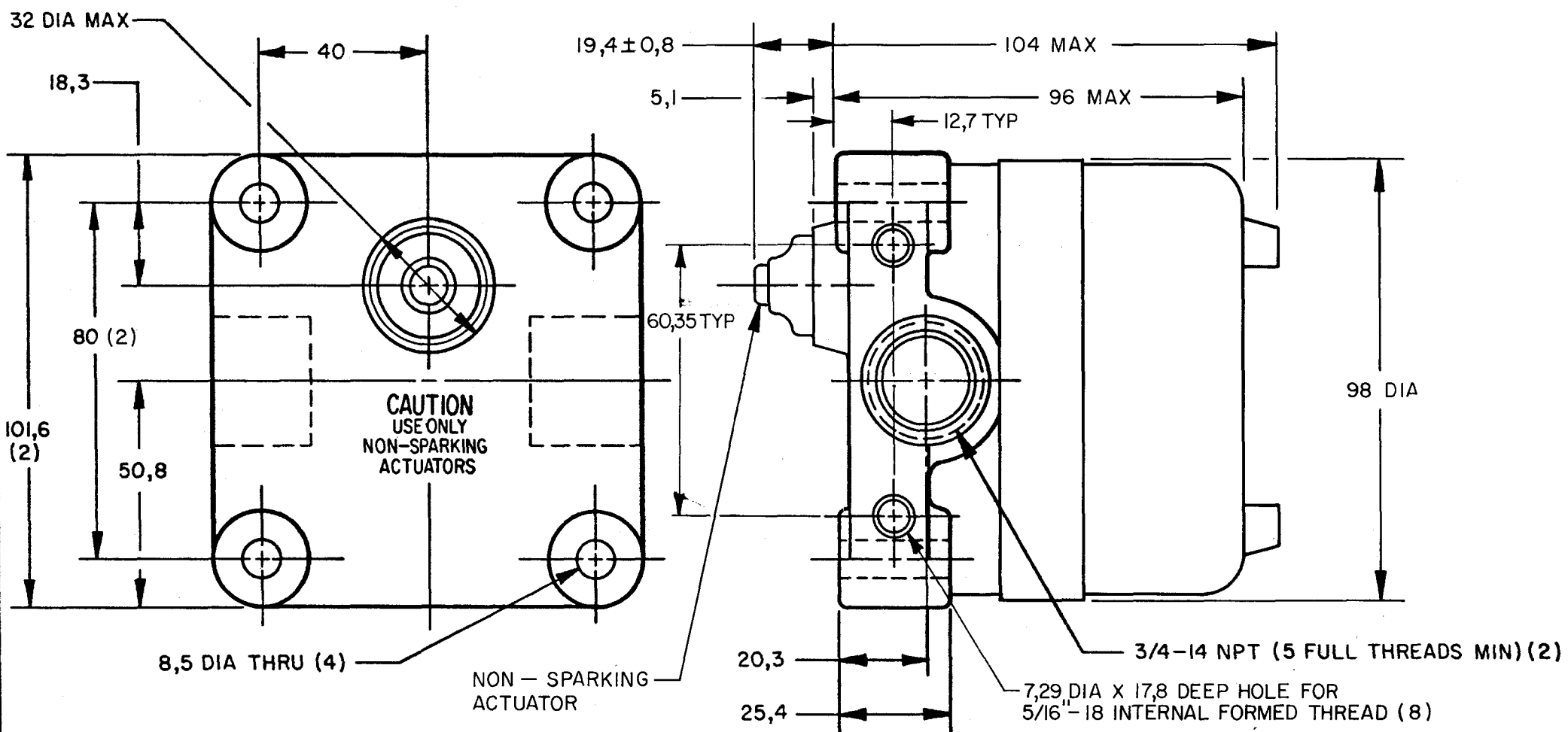
CATALOG LISTING
31CX 32CX
SERIES CHART 1

CONVERSION CHART

1,0	.04
2,5	.098
4,75	.187
5,1	.200
7,29	.287
7,3	.29
7,92	.311
8,5	.33
12,7	.50
17,8	.70
18,3	.72
19,4±0,8	.764±.032
20,3	.80
25,4	1,00
32,0	1,26
40,0	1,57
50,8	2,00
60,35	2,38
80,0	3,15
96,0	3,78
98,0	3,86
101,6	4,00
104,0	4,09
2,75 Kg	6,06 LB
1,13 Kg	2,49 LB

31CX 32CX SERIES CHART 1
 PAGE 1 OF 1
 M
 DRAWING NUMBER
 11
 ISSUE

RELEASE NO. PR-6800-T REPLACES
 CHECK
 REVISIONS
 A 039705 W L W 12 JAN 78
 B 039803 S J S 10 FEB 78
 C 03444 W J M 18 JAN 83
 D 056479 K E W 3 JAN 85
 E 057575 J A S 28 JUNE 85
 F 058369 K E W 20 NOV 85
 G 061401 D A W 16 APR 87
 H 077459 K E U 6 JUN 94
 J 080111 J A K 21 MAR 95
 K 095297 G J W 7 JUL 99
 CHECK
 J A L 31 AUG 77
 J A L 31 AUG 77
 DRAWN



NOTES

- 1 - EXPLOSION PROOF-UNDERWRITERS LAB INC LISTING FOR HAZARDOUS LOCATIONS CLASS I, GROUPS C AND D; CLASS II, GROUPS E, F AND G
- 2 - ALUMINUM ENCLOSURE FINISHED WITH BLUE AND BLACK EPOXY PAINT
- 3 - 6-32 UNC X 7,92 REF PAN HEAD TERMINAL SCREW AND LOCK-WASHER (SEMS TERMI-LOX) (3 PER BASIC)
- 4 - CAMS MAY BE REPOSITIONED AT A CHANGE OF 1mm PER REVOLUTION (8 POSITIONS PER REVOLUTION)
- 5 - FOR USE IN TEMPERATURES UP TO 85°C
- 6 - CHARACTERISTICS PERTAIN TO ALL CHARTED LISTINGS

THIS DRAWING COVERS A PROPRIETARY ITEM AND IS THE PROPERTY OF MICRO SWITCH, A DIVISION OF HONEYWELL. THIS DRAWING IS NOT TO BE COPIED OR USED WITHOUT THE APPROVAL OF MICRO SWITCH.

THIRD ANGLE PROJECTION

SCALE 3/4 TO 1
DO NOT SCALE PRINT

CHARACTERISTICS	
OPERATING FORCE	2,75 kg MAX
PRETRAVEL	2,5 mm MAX
DIFFERENTIAL TRAVEL	1,0 mm MAX
OVERTRAVEL	4,75 mm MIN

CONTACT ARRANGEMENT
S P D T
(EACH BASIC)

TOLERANCES APPLY TO DESIGN UNITS. CONVERSIONS ARE ONLY FOR REFERENCE. UNLESS NOTED, TOLERANCES ARE ±			
DIM.	TOL.	DIM.	TOL.
mm	mm/in	in	mm/in
NO PLACES	X	1/04	X X
ONE PLACE	X.X	0,4/0,16	X.X
TWO PLACES	X.XX	0,15/0,06	X.XX
THREE PLACES	X.XXX	0,07/0,03	X.XXX
ANGLES		0,38/0,015	X.XXX
		0,13/0,005	
DESIGN UNITS		SI METRIC <input checked="" type="checkbox"/> US CUSTOMARY <input type="checkbox"/>	
RAW MATERIAL-COMMERCIAL STANDARD MICRO SWITCH STANDARDS APPLY DIMENSIONS ARE TO BE MET BEFORE PROTECTIVE COATINGS ARE APPLIED			
WEIGHT 1,13 Kg APPROX			

CAT. LIST	DESCRIPTION	ELECTRICAL DATA
31CX1	1. BASIC	UL LISTED-FILE E14274 CODE L96 15A-125, 250 OR 480 VAC 1/8 HP-125 VAC; 1/4 HP-250 VAC 1/2 A-125 VDC; 1/4 A-250 VDC

FORMTEK
 FO-5285 1-A
 DRAWN