

# MICRO SWITCH

FREERPORT ILLINOIS, U.S.A  
A DIVISION OF HONEYWELL  
FED. MFG. CODE 91929

# SWITCH - BASIC

CATALOG LISTING

## 5SEI-12

5SEI-12  
PAGE 1 OF 1

M

DRAWING  
NUMBER

X 2  
G

X 5  
G

ISSUE  
3 X 5

REPLACES

RELEASE NO. PR-5497

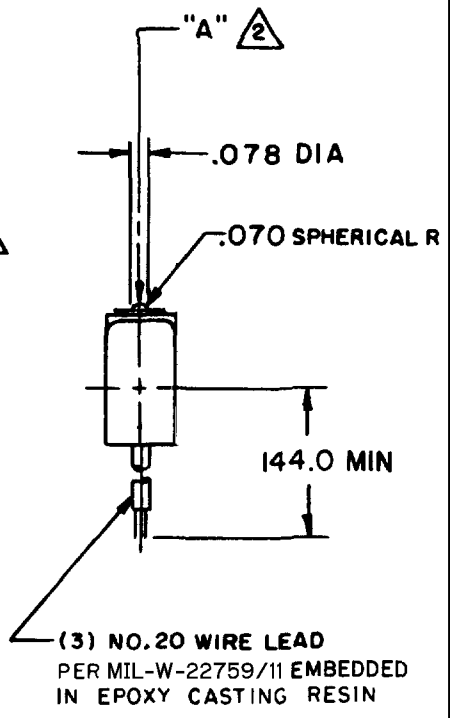
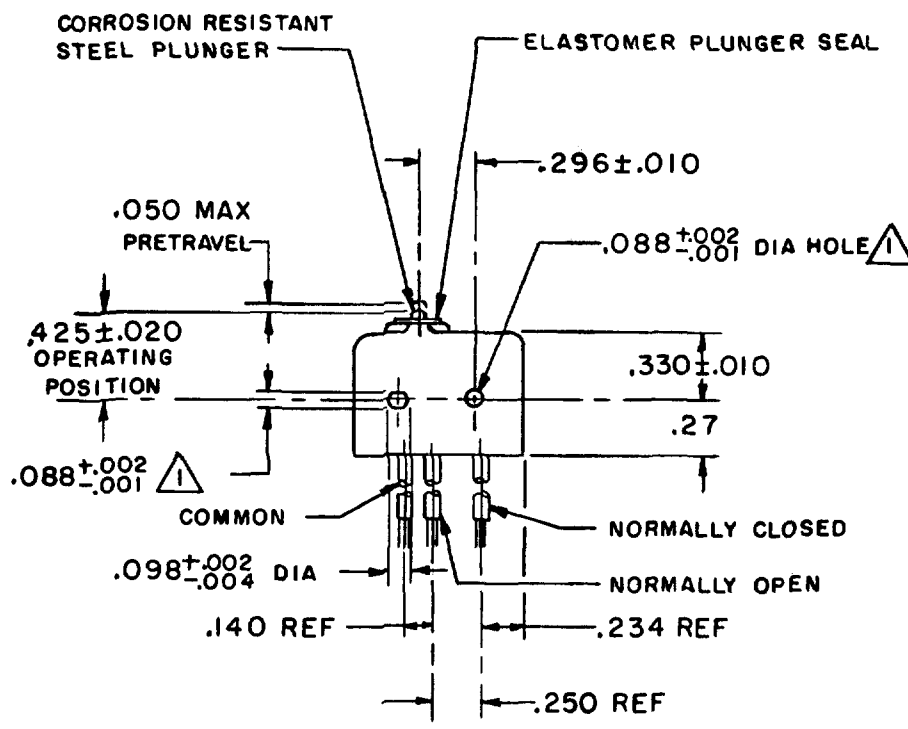
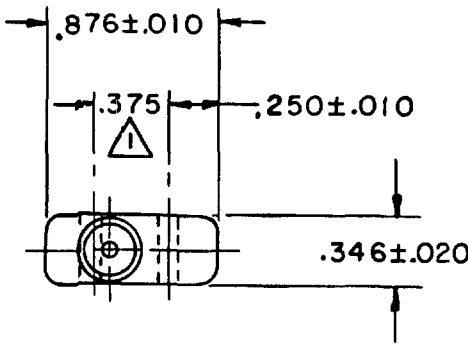
CHECK

REVISIONS

|      |               |
|------|---------------|
| A    | PR-5497       |
| RE R | 19 JAN 76     |
| B    | CO 51463-G    |
|      | WJM 27 JUL 83 |
| C    | CO56103       |
|      | CJH 12 NOV 84 |
| D    | CO57041A      |
|      | CJH 21 MAR 85 |
| E    | CO94274       |
|      | DLM MAR 99    |

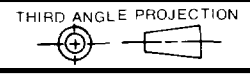
CHECK  
29 OCT 75

FORMTEK  
FO-52848-A  
DRAWN  
GLH 28 OCT 75



- NOTE -
- 1 - MOUNTING HOLES WILL ACCEPT .087 MAX DIA PINS OR SCREWS ON .375±.002 CENTERS
  - 2 - ACTUATION IN LINE WITH ARROW "A" IS RECOMMENDED
  - 3 - WEIGHT OF SWITCH ONLY IS .26 OZ MAX, WEIGHT OF SWITCH WITH WIRE LEADS IS 6.6 OZ MAX

THIS DRAWING COVERS A PROPRIETARY ITEM AND IS THE PROPERTY OF MICRO SWITCH, A DIVISION OF HONEYWELL. THIS DRAWING IS NOT TO BE COPIED OR USED WITHOUT THE APPROVAL OF MICRO SWITCH.



| CHARACTERISTICS                    | ELECTRICAL DATA                         | SCALE FULL  |
|------------------------------------|---|---|
| OPERATING FORCE - - - - - 5-17 OZ  | CONTACT ARRANGEMENT<br>S P D T          | DO NOT SCALE PRINT  |
| RELEASE FORCE - - - - - 4 OZ MIN   | 250 VAC - - - - - 5 AMP                 | TOLERANCES  |
| RELEASE TRAVEL - - - - - .004 MIN  | 30 VOLTS DC RATING                      | APPLY TO DESIGN UNITS. CONVERSIONS ARE ONLY FOR REFERENCE. UNLESS NOTED, TOLERANCES ARE ± |
| DIFFERENTIAL TRAVEL - - - .004 MAX | INDUCTIVE - - - - - SEA LEVEL - - 3 AMP | DIM. mm TOL. mm/in  |
| OVERTRAVEL - - - - - .003 MIN      | RESISTIVE - - - - - SEA LEVEL - - 5 AMP | DIM. in TOL. mm/in  |
|                                    | MAXIMUM INRUSH - - - - - 24 AMP         | NO PLACES X 17.04 X X 0.87.03   |
|                                    |   | ONE PLACE X,X 0.41,018 X XX 0.387,015   |
|                                    |   | TWO PLACES X,X,X 0.157,008 X XXX 0.137,005  |
|                                    |   | THREE PLACES X,XXX  |
|                                    |   | ANGLES  |
|                                    |   | SI METRIC   |
|                                    |   | US CUSTOMARY  |
|                                    |   | DESIGN UNITS <input type="checkbox"/> <input checked="" type="checkbox"/>                 |
|                                    |   | WEIGHT <input checked="" type="checkbox"/> 3  |