

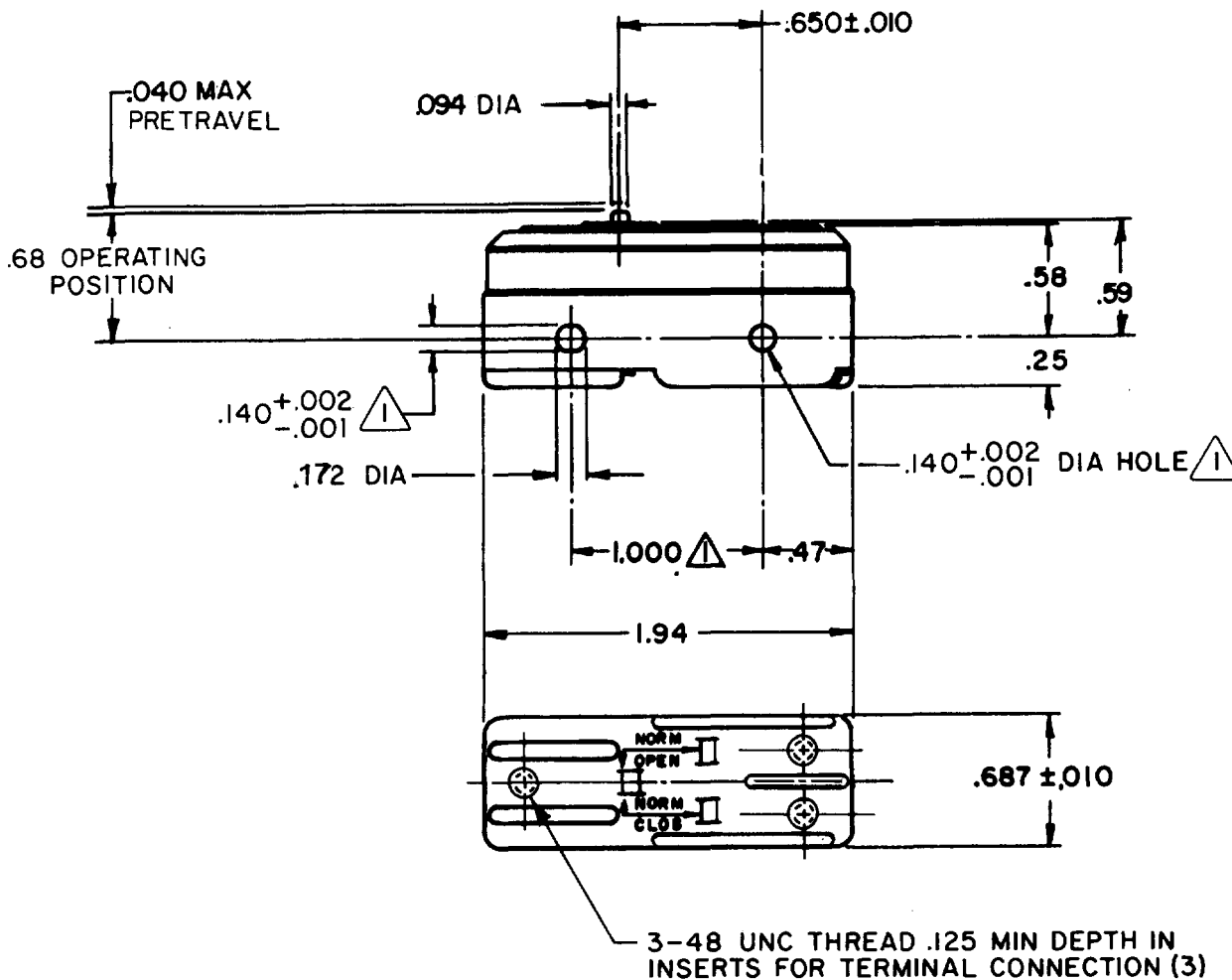
MICRO SWITCH

FREEDPORT ILLINOIS, U.S.A.
A DIVISION OF HONEYWELL INC.
FED. MFG. CODE 91929

CATALOG LISTING

BA-1R3511

SWITCH—BASIC



NOTE
 $\triangle 1$ MOUNTING HOLES WILL ACCEPT PINS OR SCREWS OF $.139$ MAX DIA ON $1.000 \pm .002$ CENTERS

THIS DRAWING COVERS A PROPRIETARY ITEM AND IS THE PROPERTY OF MICRO SWITCH, A DIVISION OF HONEYWELL. THIS DRAWING IS NOT TO BE COPIED OR USED WITHOUT THE APPROVAL OF MICRO SWITCH.

THIRD ANGLE PROJECTION

CHARACTERISTICS

OPERATING FORCE -----78-184 GRAM
RELEASE FORCE-----30 GRAM MIN
DIFFERENTIAL TRAVEL-----.0015 MAX

ELECTRICAL DATA

CONTACT ARRANGEMENT
S P D T

L208 15A 125, 250 OR 480 VAC
1/2HP 125 VAC, 1HP 250 VAC
0.4A 125 VDC, 0.2A 250 VDC

SCALE FULL

DO NOT SCALE PRINT

UNLESS OTHERWISE SPECIFIED TOLERANCES ARE
ONE PLACE (.0) $\pm .030$
TWO PLACE (.00) $\pm .015$
THREE PLACE (.000) $\pm .005$
ANGLES +

WEIGHT .050 LB



BA-1R3511

PAGE 1 OF 1

M

DRAWING NUMBER

ISSUE

3

REPLACES X92181-BA

RELEASE NO. CO-69867

CHECK

CHECK

CHECK

CHECK

CHECK

CHECK

REVISIONS

A	CO-77590	SAD	9 JUN 94
B	CO-94212-C	DLT	20 SEP 99

FORMTEK

FO-52848-8

DRAWN

B A B 14 MAY 91