

**MICRO SWITCH**

A DIVISION OF MINNEAPOLIS-HONEYWELL REGULATOR COMPANY  
MINNEAPOLIS, MINN.

FED MFR CODE 91929

**SWITCH - BASIC**

CATALOG LISTING

**BA-1RV5435241-A2**

**BA-1RV5435241-A2**

PAGE 1 OF 1

RELEASE NO SR 9756

DRAWING NUMBER

8

ISSUE

REVISIONS	
A	SR 9756 MRF 1 AUG 61
B	CO17471 D WV 27 AUG 63
C	CO29707 SM 23 NOV 71
D	CO38509 REP 19 APR 77
E	CO-73287-J JAL 22 NOV 93
F	CO-77588 MAN 29 MAR 94
G	CO93346 DLT 31 AUG 98

CHECK

JWH 10 MAY 61

CHECK

J.A.G. 1 AUG 61

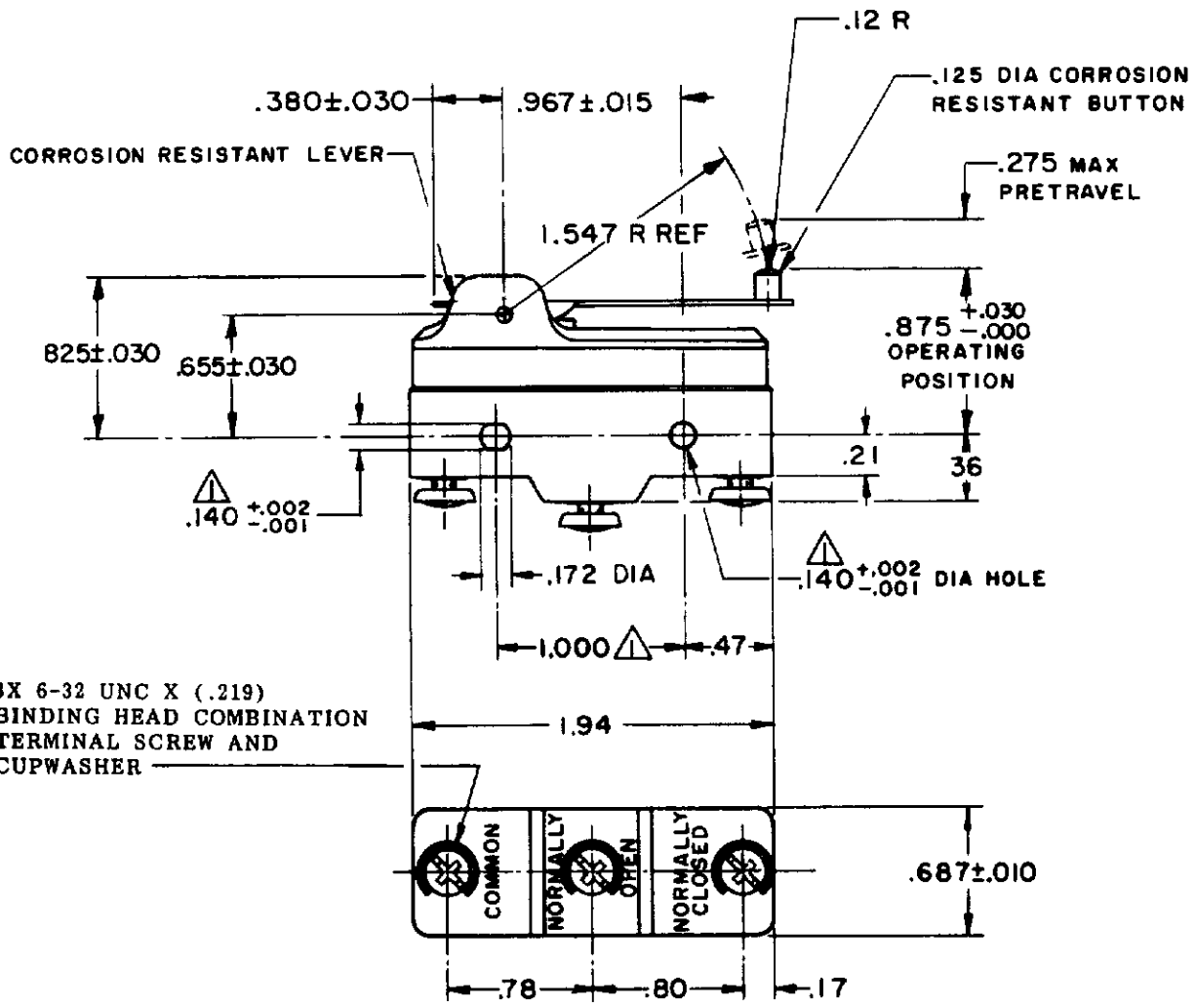
CHECK

MAY 61

FORMTEK

FO-80378




DRAWN



3X 6-32 UNC X (.219)  
BINDING HEAD COMBINATION  
TERMINAL SCREW AND  
CUPWASHER

- NOTES**
- ▲ MOUNTING HOLES WILL ACCEPT PINS OR SCREWS OF 139 MAX DIA ON 1.000±.002 CENTERS
  - 2-SWITCH WILL WITHSTAND TEMPERATURE OF 250° F

THIS DRAWING COVERS A PROPRIETARY ITEM AND IS THE PROPERTY OF MICRO SWITCH, A DIVISION OF MINNEAPOLIS-HONEYWELL REGULATOR CO. THIS DRAWING IS NOT TO BE COPIED OR USED WITHOUT THE APPROVAL OF MICRO SWITCH.

CHARACTERISTICS	ELECTRICAL DATA	SCALE FULL
OPERATING FORCE - - - - - 1.5 OZ MAX	CONTACT ARRANGEMENT S P D T	DO NOT SCALE PRINT
RELEASE FORCE - - - - - 1/2 OZ MIN	UNDERWRITERS' LAB INC LISTED RATING	UNLESS OTHERWISE SPECIFIED
DIFFERENTIAL TRAVEL - - - - .030 MAX	-L65- 15A 125, 250, OR 480 VAC	DIMENSIONS ARE IN INCHES
OVERTRAVEL - - - - - .060 MIN	-L288- 1/2 HP 125 VAC ; 1 HP 250 VAC	<b>TOLERANCES ARE:</b>
	-L299-   	ONE PLACE (.0) ±.009
	-L306- 16A 250V ~ TB5 5E4	TWO PLACE (.00) ±.018
		THREE PLACE (.000) ±.008
		ANGLES ±
		WEIGHT .063 LB