

MICRO SWITCH

FREERPORT ILLINOIS, U.S.A
A DIVISION OF HONEYWELL INC.
FED. MFG. CODE 91929

SWITCH-BASIC

CATALOG LISTING
BA-2RV312T

ABS3580

M BA-2RV312T
PAGE 1 OF 1

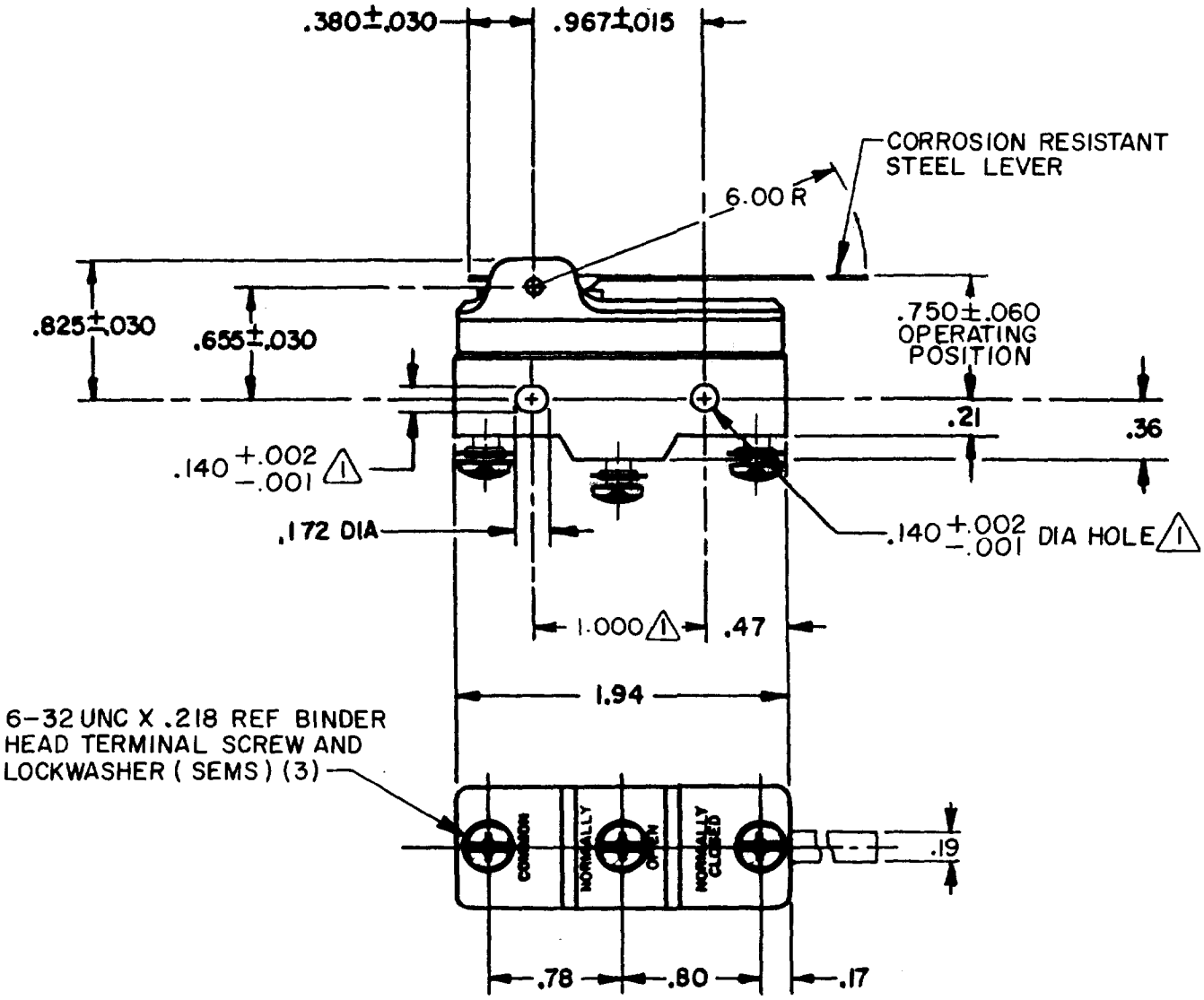
DRAWING NUMBER

5

ISSUE

REVISIONS	
A	CO-89351-D 18 JUL 91
B	CO-77590 9 JUN 94
C	CO93346 DLT 26 AUG 98
D	0018387 TSG 18 JAN 06

REPLACES X87687-BA
RELEASE NO. PR-16747
CHECK
18 JAN 06
RJ
CHECK
88
J A P 20 SEPT 88
DRAWN
FC-52848-B



6-32 UNC X .218 REF BINDER HEAD TERMINAL SCREW AND LOCKWASHER (SEMS) (3)

NOTES
① MOUNTING HOLES WILL ACCEPT PINS OR SCREWS OF .139 MAX DIA ON 1.000±.002 CENTERS

THIS DRAWING COVERS A PROPRIETARY ITEM AND IS THE PROPERTY OF MICRO SWITCH, A DIVISION OF HONEYWELL. THIS DRAWING IS NOT TO BE COPIED OR USED WITHOUT THE APPROVAL OF MICRO SWITCH.

THIRD ANGLE PROJECTION

CHARACTERISTICS
OPERATING FORCE ----- 1 OZ MAX
RELEASE FORCE ----- 1/4 OZ MIN
DIFFERENTIAL TRAVEL ----- .234 MAX
OVERTRAVEL ----- .297 MIN

ELECTRICAL DATA	
CONTACT ARRANGEMENT S P D T	
L23	20A 125, 250, OR 480 VAC 10A 125 VAC "L" 1 HP 125 VAC, 2 HP 250 VAC 1/2 A 125 VDC, 1/4 A 250 VDC
L288 L308 L315	CE 20(3)A 250V ~ T85 5E4

SCALE FULL	DO NOT SCALE PRINT
UNLESS OTHERWISE SPECIFIED TOLERANCES ARE	
ONE PLACE (.0)	± .030
TWO PLACE (.00)	± .015
THREE PLACE (.000)	± .005
ANGLES	±
WEIGHT	