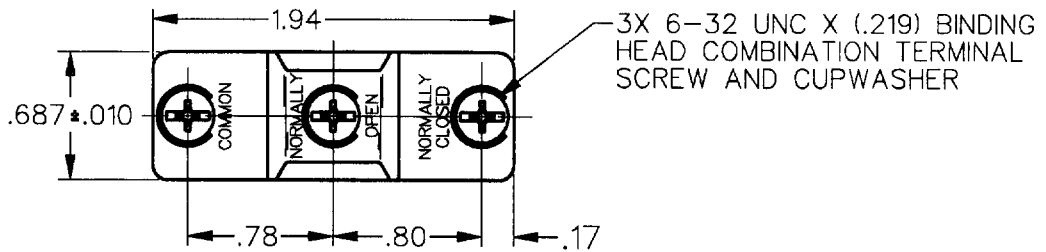
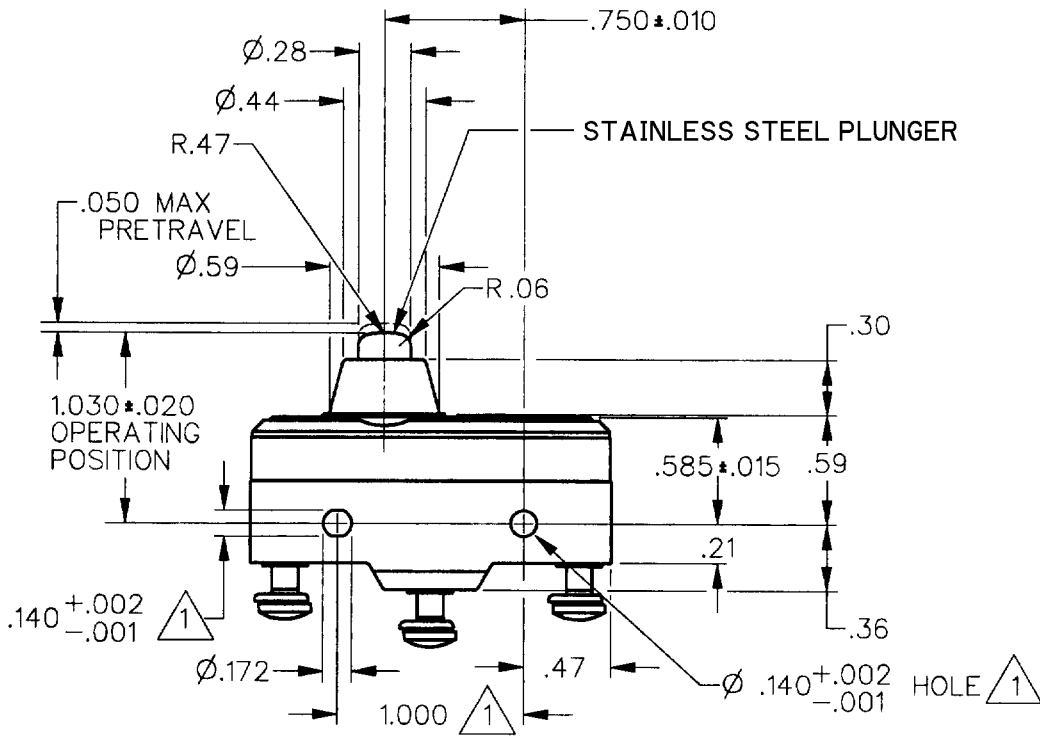


MICRO SWITCH
a Honeywell Division

FED. MFG. CODE 91929

SWITCH - BASIC

CATALOG LISTING
BE-2RB19-A2



NOTE
1 MOUNTING HOLES WILL ACCEPT PINS OR SCREWS OF ϕ .139 MAX ON 1.000 \pm .002 CENTERS

ANSI Y14.5M-1982 APPLIES

THIS DRAWING COVERS A PROPRIETARY ITEM AND IS THE PROPERTY OF MICRO SWITCH, A DIVISION OF HONEYWELL. THIS DRAWING IS NOT TO BE COPIED OR USED WITHOUT THE APPROVAL OF MICRO SWITCH.

THIRD ANGLE PROJECTION

CHARACTERISTICS

OPERATING FORCE — — — — 14-22 OZ
RELEASE FORCE — — — — 10 OZ MIN
DIFFERENTIAL TRAVEL — — .0030-.0045
OVERTRAVEL — — — — .094 MIN

ELECTRICAL DATA

CONTACT ARRANGEMENT
S P D T
25A 125 OR 250 VAC
1HP 125 VAC, 2HP 250 VAC
PILOT DUTY 750VA 125, 250 OR 277 VAC
60/75 C (CU)

SCALE FULL

DO NOT SCALE PRINT

UNLESS OTHERWISE SPECIFIED TOLERANCES ARE
ONE PLACE (.0) \pm .030
TWO PLACE (.00) \pm .015
THREE PLACE (.000) \pm .005
ANGLES \pm

WEIGHT .064 LB



CATALOG LISTING
BE-2RB19-A2
PAGE 1 OF 1

M

ISSUE 4

REPLACES X95564-BE

RELEASE NO. PR-20120

CHECK

REVISIONS	
A	CO 73287-J GRT 23 NOV 93
B	CO 77590 LJF 15 JUN 94
C	CO 95750-B CST 29 MAR 00

CHECK

19 AUG 92

W J C

CHECK

18 AUG 92

FORMTEK
DRAWN

J W B