

# MICRO SWITCH

FREERPORT ILLINOIS, U.S.A  
A DIVISION OF HONEYWELL  
FED. MFG. CODE 9 1929

# SWITCH - BASIC

CATALOG LISTING  
**BE-R205**

DRAWING NUMBER  
**BE-R205**  
PAGE 1 OF 1  
RELEASE NO. PR-16213  
REPLACES X86652-BE

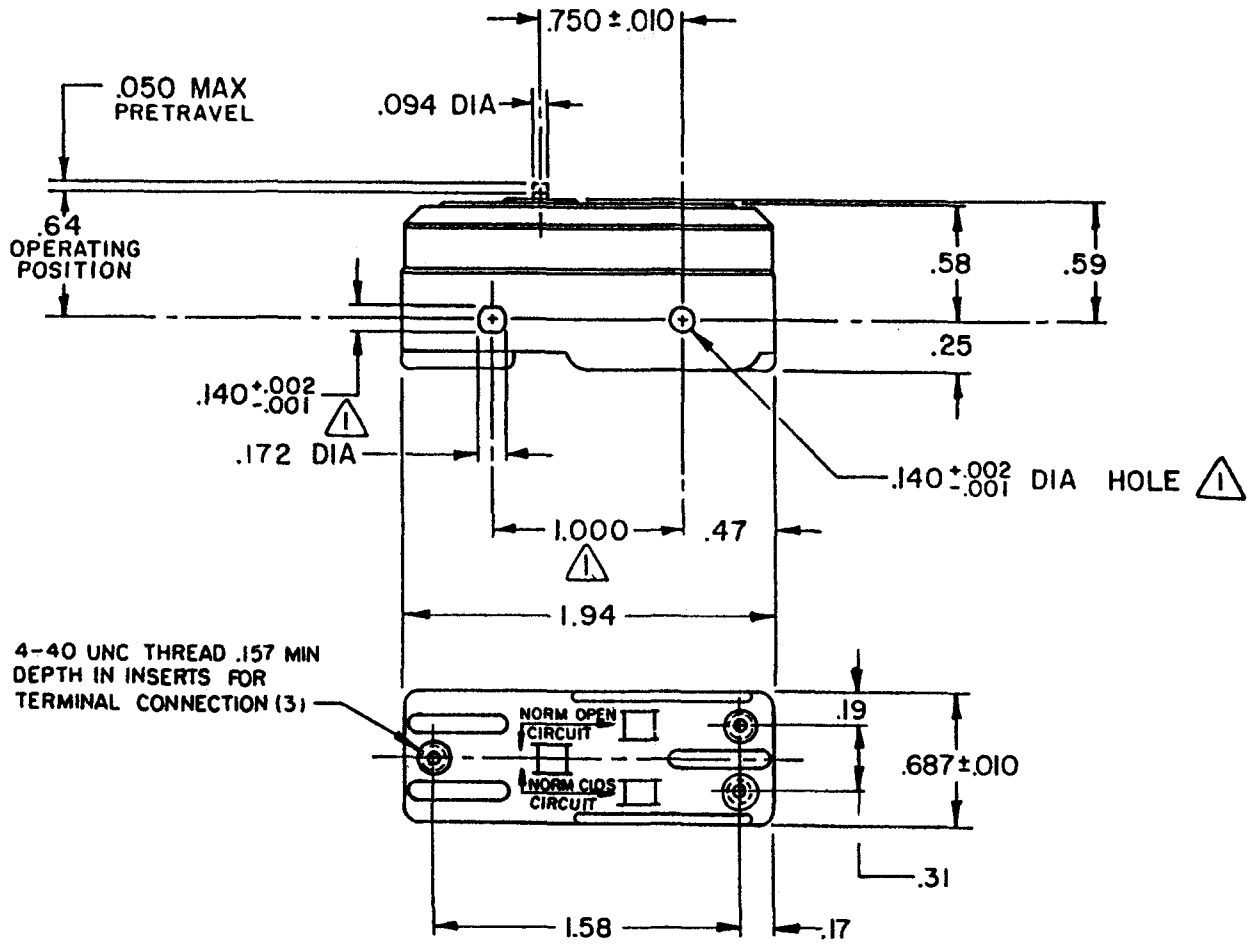
ISSUE  
**M**  
3

REVISIONS

A	CO-77592 DAW 15 AUG 94
B	CO-94212-A JJA 27 JUL 99

CHECK  
CHECK

FORMTEK  
FO-52848-A  
DRAWN  
J A P15 FEB 88  
CHECKER  
GRT 17 FEB 88



**NOTES**  
 ▲ MOUNTING HOLES WILL ACCEPT PINS OR SCREWS OF  
 .139 MAX DIA ON 1.000 ± .002 CENTERS

THIS DRAWING COVERS A PROPRIETARY ITEM AND IS THE PROPERTY OF MICRO SWITCH, A DIVISION OF HONEYWELL. THIS DRAWING IS NOT TO BE COPIED OR USED WITHOUT THE APPROVAL OF MICRO SWITCH.

THIRD ANGLE PROJECTION

CHARACTERISTICS	
OPERATING FORCE	20 OZ MAX
RELEASE FORCE	10 OZ MIN
DIFFERENTIAL TRAVEL	.0010-.0016
OVERTRAVEL	.023 MIN

ELECTRICAL DATA	
CONTACT ARRANGEMENT	
S P D T	
25A 125 OR 250 VAC	
3/4 HP 125VAC 1 1/2 HP 250 VAC	
PILOT DUTY	
375VA 125 OR 250 VAC	
60/75° C (CU)	

SCALE FULL				
DO NOT SCALE PRINT				
TOLERANCES				
APPLY TO DESIGN UNITS. CONVERSIONS ARE ONLY FOR REFERENCE. UNLESS NOTED, TOLERANCES ARE ±				
	DI-	TOL.	DI-	TOL.
	mm	mm/in	in	mm/in
NO PLACES	X	1/64	X	0.0100
ONE PLACE	X,X	0.0010	X,X	0.0001
TWO PLACES	X,XX	0.0001	X,XX	0.00001
THREE PLACES	X,XXX	0.00001	X,XXX	0.000001
ANGLES				
DESIGN UNITS	<input type="checkbox"/> METRIC		<input checked="" type="checkbox"/> US CUSTOMARY	
WEIGHT	.050 LB			

