

MICRO SWITCH
 FREEPORT ILLINOIS, U S A
 A DIVISION OF HONEYWELL INC
 FED. MFG. CODE 91929

SWITCH - BASIC

CATALOG LISTING
BE-R2420-A2

BE-R2420-A2

REPLACES
 RELEASE NO. PR-17856

M

DRAWING
 NUMBER

X

ISSUE

3

CHECK

REVISIONS

A	CO-73287-1	J A L	22 NOV 93
B	CO-77588	MAM	29 MAR 94

CHECK

DRAW

28 DEC 89

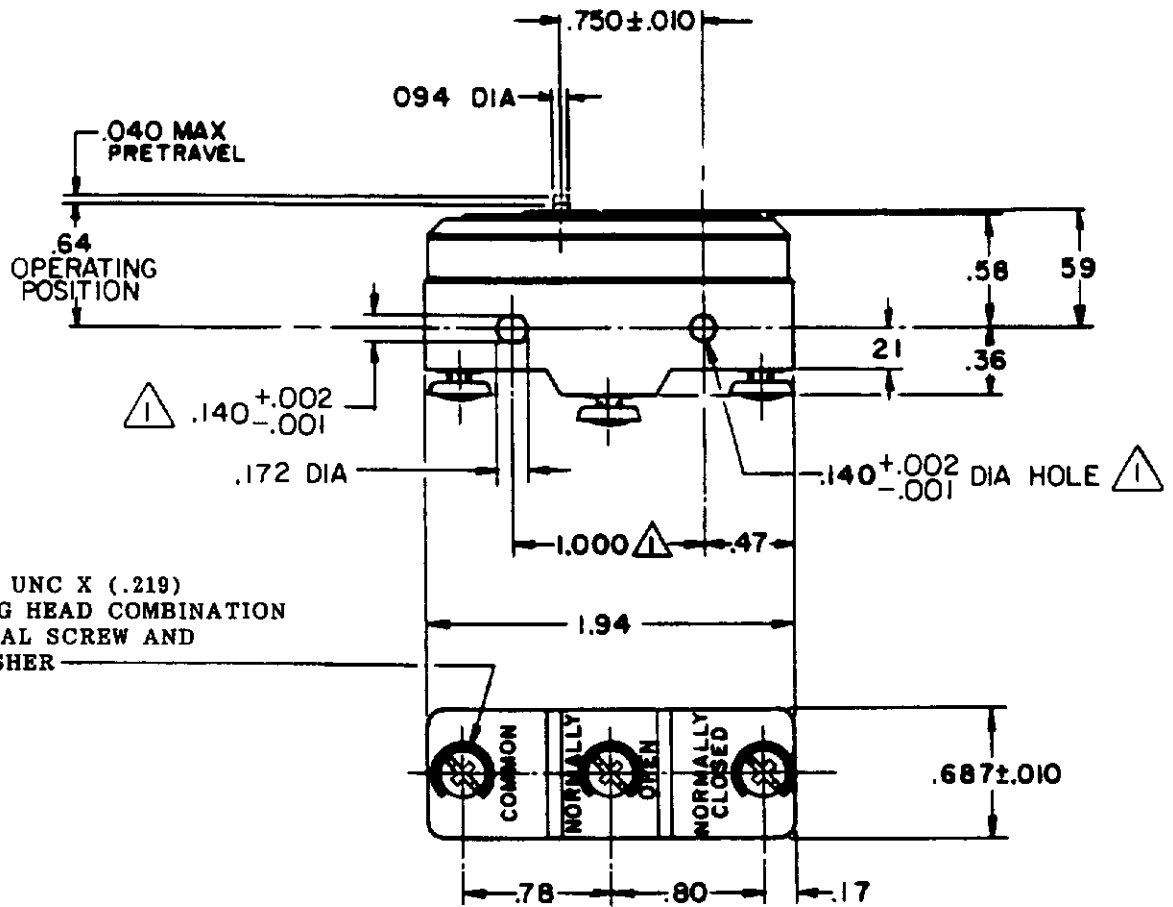
28 DEC 89

28 DEC 89

28 DEC 89

28 DEC 89

28 DEC 89



3X 6-32 UNC X (.219)
 BINDING HEAD COMBINATION
 TERMINAL SCREW AND
 CUPWASHER

NOTES

- 1 MOUNTING HOLES WILL ACCEPT PINS OR SCREWS OF .139 MAX DIA ON 1.000 ± .002 CENTERS
- 2 - SWITCH MATERIALS WILL WITHSTAND TEMPERATURE OF 250°F

THIS DRAWING COVERS A PROPRIETARY ITEM AND IS THE PROPERTY OF MICRO SWITCH, A DIVISION OF HONEYWELL. THIS DRAWING IS NOT TO BE COPIED OR USED WITHOUT THE APPROVAL OF MICRO SWITCH.

THIRD ANGLE PROJECTION

CHARACTERISTICS

OPERATING FORCE ----- 11-17 OZ
 RELEASE FORCE ----- 10 OZ MIN
 DIFFERENTIAL TRAVEL --- .0015-.0025
 OVERTRAVEL ----- .010 MIN

ELECTRICAL DATA

CONTACT ARRANGEMENT
S P D T
 25A-125, 250, OR 480 VAC
 3/4 HP-125 VAC; 1 1/2 HP-250 VAC
 PILOT DUTY 375 VA-125, OR 250 VAC
 60/75°C (Cu)



SCALE FULL

DO NOT SCALE PRINT

UNLESS OTHERWISE SPECIFIED
 TOLERANCES ARE
 ONE PLACE (.0) ± .030
 TWO PLACE (.00) ± .015
 THREE PLACE (.000) ± .006
 ANGLES ±

WEIGHT .063 LB

0-52848-B

DRAWN

28 DEC 89

28 DEC 89