

**MICRO SWITCH**  
a Honeywell Division

**SWITCH - BASIC**

FED. MFG. CODE 91 929

X100890-BM

CATALOG LISTING  
**BM-2R559729**

PAGE 1 OF 1

REPLACES  
RELEASE NO. PR-22604

**M**

ISSUE  
**3**

REVISIONS

A	CO-94212-K	DLT	4 NOV 99
B	0035413	JA	07DEC07

CHECK

07DEC07

ASD

CHECK

15 MAY 97

J J A

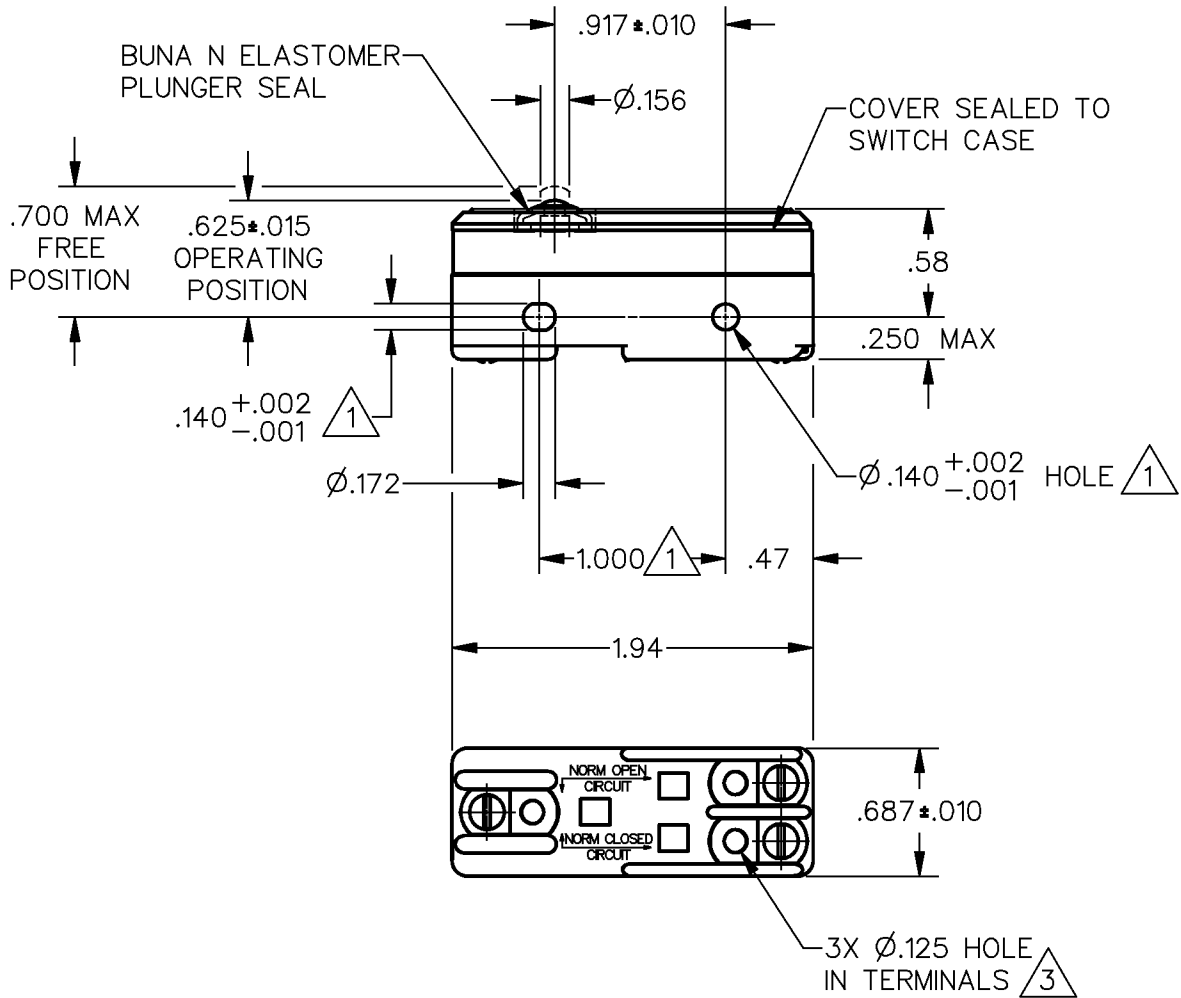
CHECK

15 MAY 97

J J A

RASTER

DRAWN



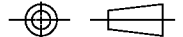
NOTES

- 1 MOUNTING HOLES WILL ACCEPT PINS OR SCREWS OF  $\phi .139$  MAX ON  $1.000 \pm .002$  CENTERS
- 2 - SEALED CONSTRUCTION PROVIDES SPLASH RESISTANCE
- 3 TERMINALS FORMED AT  $(15^\circ)$  TO BOTTOM OF SWITCH

ANSI Y14.5M-1982 APPLIES

THIS DRAWING COVERS A PROPRIETARY ITEM AND IS THE PROPERTY OF MICRO SWITCH, A DIVISION OF HONEYWELL. THIS DRAWING IS NOT TO BE COPIED OR USED WITHOUT THE APPROVAL OF MICRO SWITCH.

THIRD ANGLE PROJECTION



CHARACTERISTICS	ELECTRICAL DATA	SCALE FULL	DO NOT SCALE PRINT
		UNLESS OTHERWISE SPECIFIED TOLERANCES ARE	
OPERATING FORCE — — — — — 15-21 OZ	CONTACT ARRANGEMENT S P D T	ONE PLACE ( .0 )	$\pm .030$
RELEASE FORCE — — — — — 8 OZ MIN		L167	TWO PLACE ( .00 )
DIFFERENTIAL TRAVEL — — — — — .003 MAX	22A 125, 250 OR 277 VAC	THREE PLACE ( .000 )	$\pm .005$
OVERTRAVEL — — — — — .005 MIN	3/4HP 125 VAC, 1 1/2HP 250 VAC	ANGLES	$\pm$
	L288 L315 L318	WEIGHT	.053 LBS

