

# MICRO SWITCH

FREERPORT ILLINOIS, U.S.A  
A DIVISION OF HONEYWELL  
FED. MFG. CODE 91929

# SWITCH - BASIC

CATALOG LISTING

## BZ-2R331

BZ-2R331

PAGE 1 OF 1

M

DRAWING NUMBER

6

ISSUE

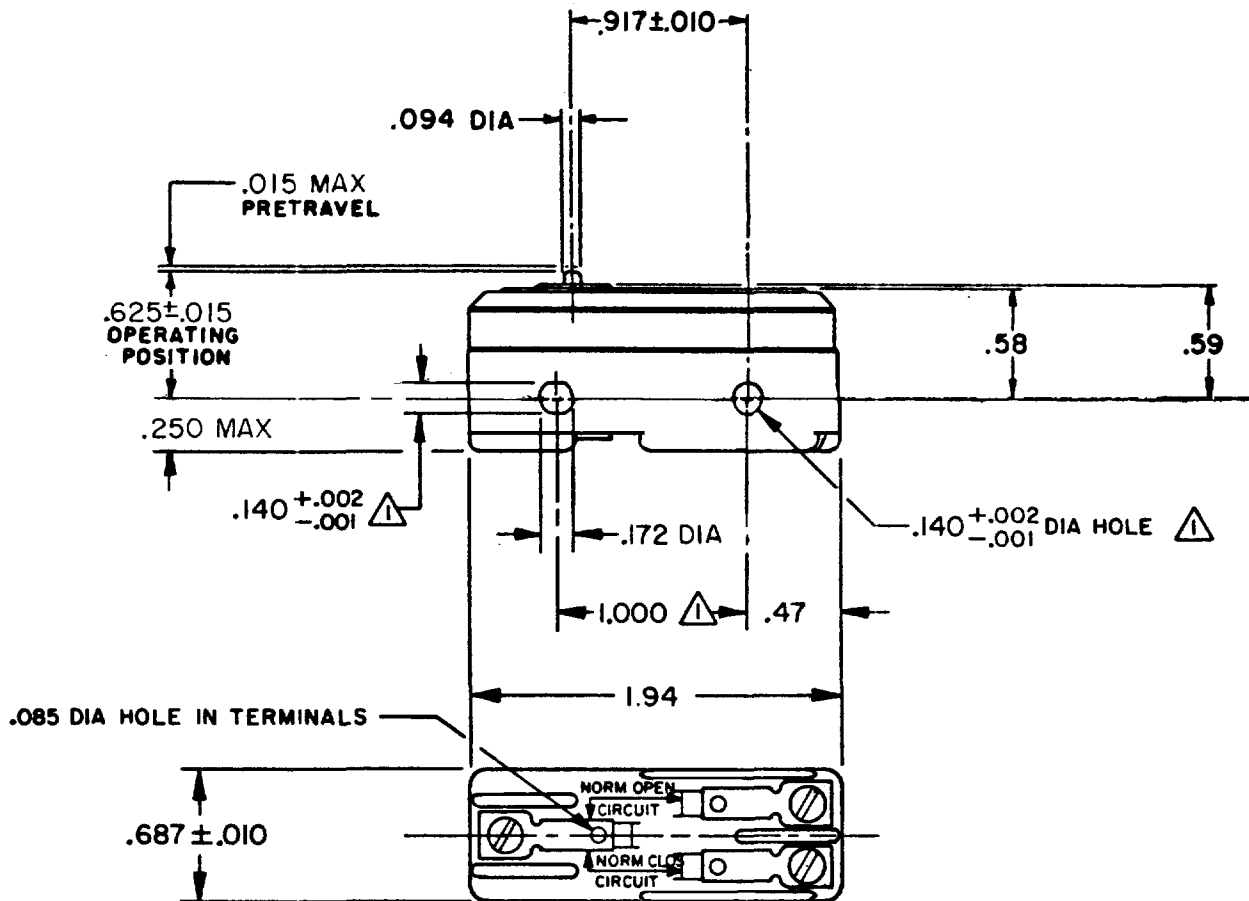
REPLACES

RELEASE NO. PR-9308

CHECK

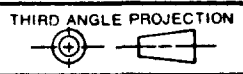
### REVISIONS

|   |            |       |           |
|---|------------|-------|-----------|
| A | C048636    | J A P | 10 NOV 80 |
| B | CO-59037   | SMA   | 1 OCT 85  |
| C | CO-77591   | DAW   | 22 JUN 94 |
| D | C093346    | DLT   | 1 SEP 98  |
| E | CO-94212-C | DLT   | 14 SEP 99 |



NOTE  
 ⚠ MOUNTING HOLES WILL ACCEPT PINS OR SCREWS OF .139 MAX DIA ON 1.000±.002 CENTERS.

THIS DRAWING COVERS A PROPRIETARY ITEM AND IS THE PROPERTY OF MICRO SWITCH, A DIVISION OF HONEYWELL. THIS DRAWING IS NOT TO BE COPIED OR USED WITHOUT THE APPROVAL OF MICRO SWITCH.



### CHARACTERISTICS

OPERATING FORCE ----- 9-13 OZ  
 RELEASE FORCE ----- 4 OZ MIN  
 DIFFERENTIAL TRAVEL --- .0004-.0020  
 OVERTRAVEL ----- .005 MIN

### ELECTRICAL DATA

CONTACT ARRANGEMENT  
 S P D T

UL LISTED-FILE E12252  
 15A-125, 250 OR 480 VAC, 2A-600 VAC  
 1/8 HP-125 VAC; 1/4 HP-250 VAC  
 1/2A-125 VDC; 1/4A-250 VDC

CODE L74  
 L288  
 L299  
 L306

CE Ⓣ Ⓢ

16A 250V ~ T85 5E4

### SCALE FULL

DO NOT SCALE PRINT

TOLERANCES  
 APPLY TO DESIGN UNITS. CONVERSIONS ARE ONLY FOR REFERENCE. UNLESS NOTED, TOLERANCES ARE ±

|              | DIM.   | TOL.      | DIM.   | TOL.      |
|--------------|--------|-----------|--------|-----------|
|              | mm     | mm/in     | in     | mm/in     |
| NO PLACES    | X      | 17.04     | X, X   | 0.07/03   |
| ONE PLACE    | X, X   | 0.47/016  | X, XX  | 0.387/015 |
| TWO PLACES   | X, XX  | 0.187/006 | X, XXX | 0.137/005 |
| THREE PLACES | X, XXX |           |        |           |
| ANGLES       |        |           |        |           |

DESIGN UNITS  BI METRIC  US CUSTOMARY

WEIGHT .050 LB

FORMTEK

FO-52848-A

DRAWN

TSM 21 AUG 80 CHECK DAW