

MICRO SWITCH

FREERPORT ILLINOIS U S A
A DIVISION OF HONEYWELL
FED. MFG. CODE 91929

SWITCH-BASIC

CATALOG LISTING

BZ-2R55513-A2

BZ-2R55513-A2

PAGE 1 OF 1

M

DRAWING NUMBER

6

ISSUE

REPLACES

RELEASE NO. PR-13130

CHECK

REVISIONS

A	0067209	J A P	3 MAY 90
B	CO-73287-J	J A L	22 NOV 93
C	CO-77513	J A	30 MAR 94
D	CO 81278	D L T	17 JUL 95
E	CO93346	D L T	4 SEP 98

CHECK

23 JUN 84

84

23 JUN 84

23 JUN 84

23 JUN 84

23 JUN 84

23 JUN 84

23 JUN 84

23 JUN 84

23 JUN 84

23 JUN 84

23 JUN 84

23 JUN 84

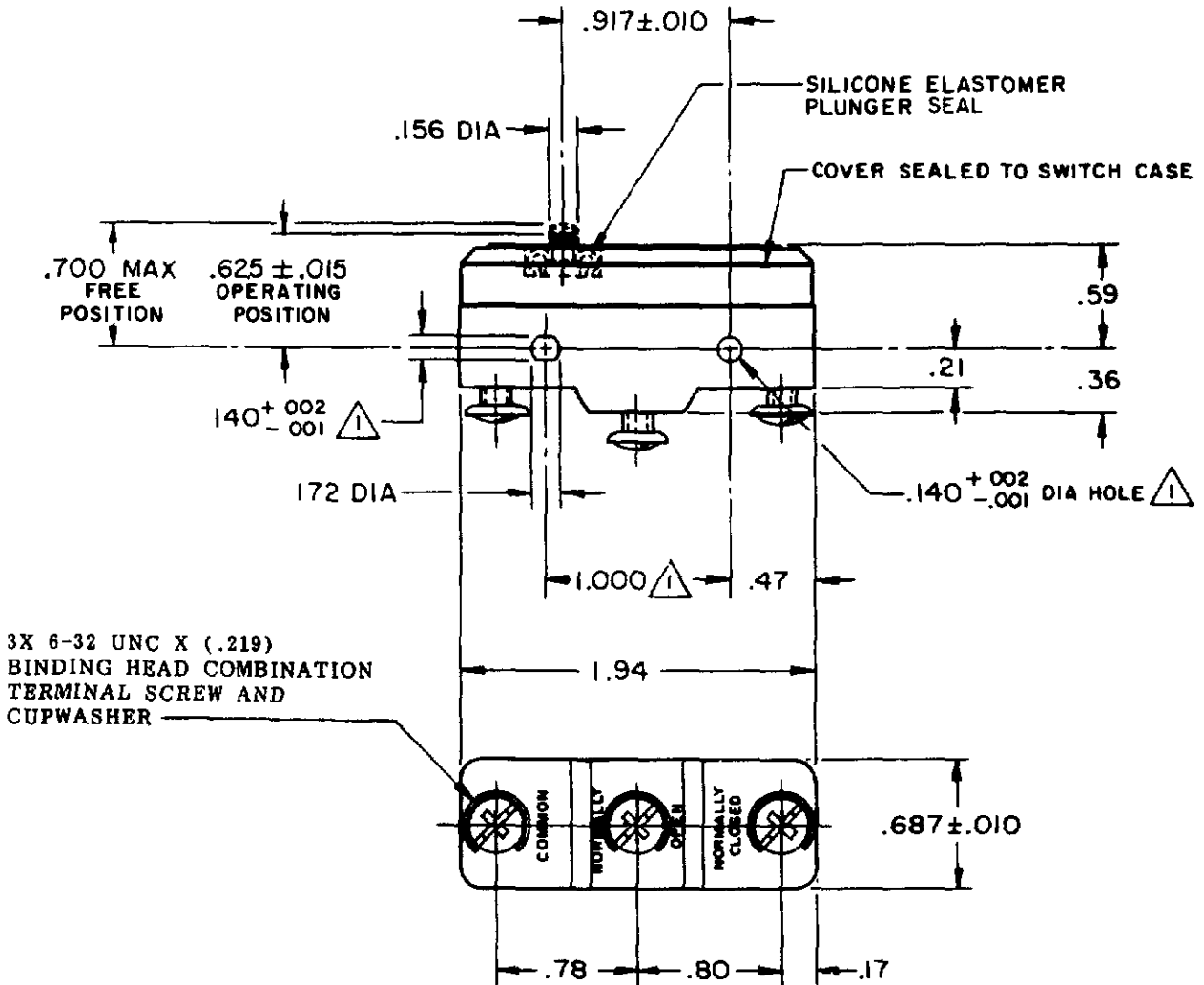
23 JUN 84

23 JUN 84

23 JUN 84

23 JUN 84

23 JUN 84



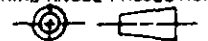
3X 6-32 UNC X (.219)
BINDING HEAD COMBINATION
TERMINAL SCREW AND
CUPWASHER

NOTES

- 1 MOUNTING HOLES WILL ACCEPT PINS OR SCREWS OF .139 MAX DIA ON 1.000 ± .002 CENTERS
- 2 - SEALED CONSTRUCTION PROVIDES SPLASH RESISTANCE

THIS DRAWING COVERS A PROPRIETARY ITEM AND IS THE PROPERTY OF MICRO SWITCH, A DIVISION OF HONEYWELL. THIS DRAWING IS NOT TO BE COPIED OR USED WITHOUT THE APPROVAL OF MICRO SWITCH.

THIRD ANGLE PROJECTION



CHARACTERISTICS

OPERATING FORCE ----- 8 - 15 OZ
RELEASE FORCE ----- 4 OZ MIN
DIFFERENTIAL TRAVEL --- .0004 - .0025
OVERTRAVEL ----- .005 MIN

ELECTRICAL DATA

CONTACT ARRANGEMENT
S P D T

L96 15A 125, 250 OR 480 VAC
1/8 HP 125 VAC, 1/4 HP 250 VAC
1/2A 125 VDC, 1/4A 250 VDC

L288
L299
L306

CE D UL

16A 250V ~ T85 5E4

SCALE FULL

DO NOT SCALE PRINT

TOLERANCES

APPLY TO DESIGN UNITS. CONVERSIONS ARE ONLY FOR REFERENCE UNLESS NOTED. TOLERANCES ARE ±

	DIM	TOL.	DIM	TOL.
	mm	mm/in	in	mm/in
NO PLACES	X	1/.04	X X	0.0750
ONE PLACE	X X	0.4/0.16	X X	0.25/0.16
TWO PLACES	X X X	0.16/0.06	X X X	0.127/0.06
THREE PLACES	X X X X		X X X X	

SI METRIC

US CUSTOMARY

DESIGN UNITS



WEIGHT .066 LB

FORMTEK

FD-52848-A

DRAWN

J A P 22 JUN 84