



MICRO SWITCH

FREEPORT, ILLINOIS, U.S.A.
A DIVISION OF HONEYWELL

FED. MFG. CODE 91929

SWITCH - BASIC

CATALOG LISTING

BZ-2R-A22

M BZ-2R-A22

PAGE 1 OF 1

RELEASE NO. SR 12483 REPLACES

DRAWING NUMBER

ISSUE 3

REVISIONS

A	CO-77589
	KDR 29 MAR 94
B	CO93346
	DLT 4 SEP 98

CHECK

21 SEP 66

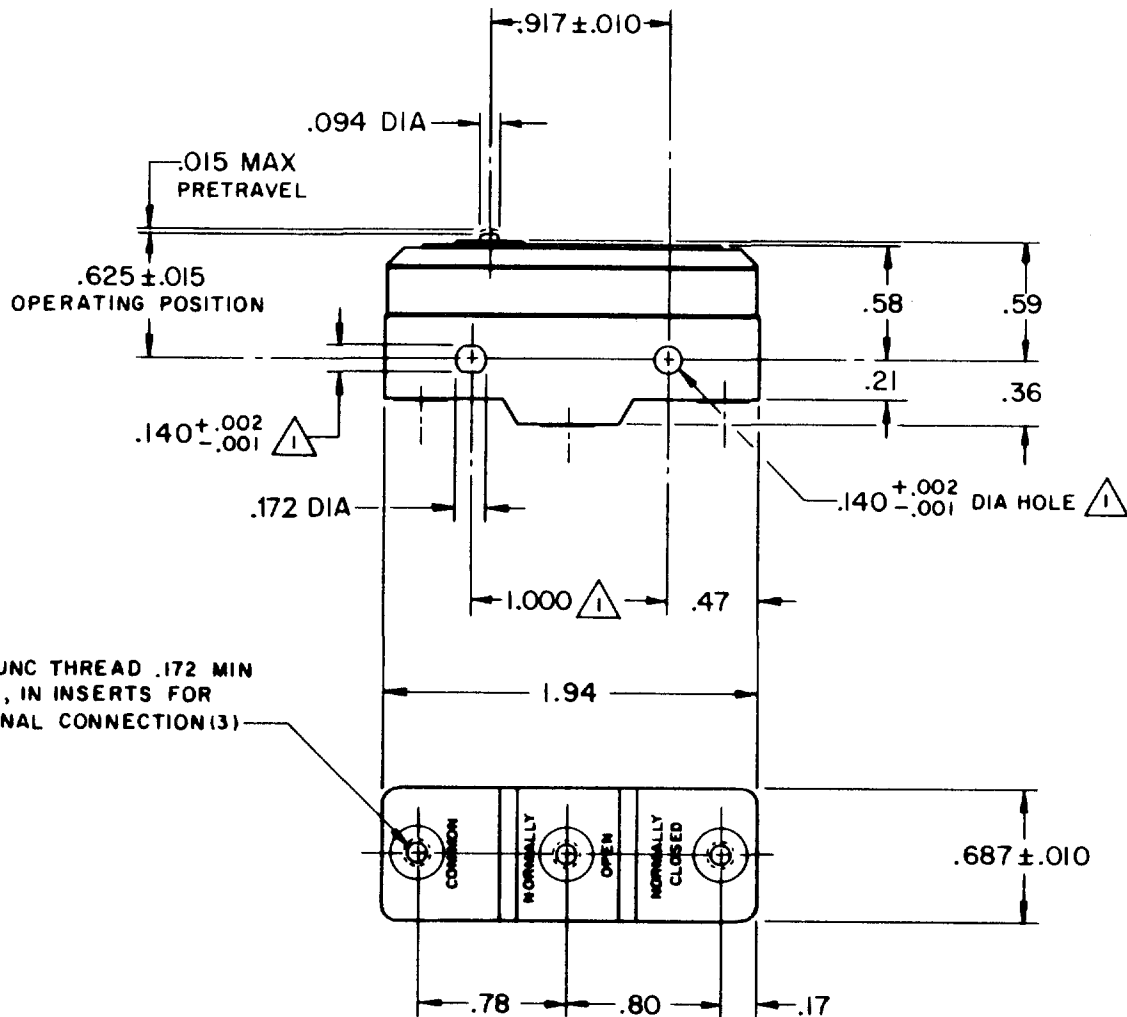
CHECK

LSD 21 SEP 66

CHECK

OMW 21 SEP 66

FORMTEK FC-50378



NOTE
 MOUNTING HOLES WILL ACCEPT PINS OR SCREWS OF .139 MAX DIA ON 1.000 ± .002 CENTERS

THIS DRAWING COVERS A PROPRIETARY ITEM AND IS THE PROPERTY OF MICRO SWITCH, A DIVISION OF HONEYWELL. THIS DRAWING IS NOT TO BE COPIED OR USED WITHOUT THE APPROVAL OF MICRO SWITCH.

CHARACTERISTICS

OPERATING FORCE - - - - - 9-13 OZ
 RELEASE FORCE - - - - - 4 OZ MIN
 DIFFERENTIAL TRAVEL - - - .0004-.0020
 OVERTRAVEL - - - - - .005 MIN

ELECTRICAL DATA

CONTACT ARRANGEMENT
 S P D T

UNDERWRITERS' LAB. INC. LISTED RATING
 -L96- 15 A-125, 250, OR 480 VAC
 1/2 A-125 VDC; 1/4 A-250 VDC
 1/8 HP-125 VAC, 1/4 HP-250 VAC

-L288-
 -L299-
 -L306-

16A 250V ~ T85 5E4

SCALE FULL

DO NOT SCALE PRINT

UNLESS OTHERWISE NOTED

DIMENSIONS ARE IN INCHES

TOLERANCES ARE:

ONE PLACE	(.0)	±.030
TWO PLACE	(.00)	±.015
THREE PLACE	(.000)	±.005
ANGLES		±

WEIGHT .063 LB