

# MICRO SWITCH

FREERPORT ILLINOIS, U.S.A  
A DIVISION OF HONEYWELL  
FED. MFG. CODE 91929

## SWITCH-BASIC

CATALOG LISTING

BZ-2RD-D82

BZ-2RD-D82  
PAGE 1 OF 1

M

DRAWING  
NUMBER

5

ISSUE

REPLACES

RELEASE NO. PR-11848

CHECK

REVISIONS

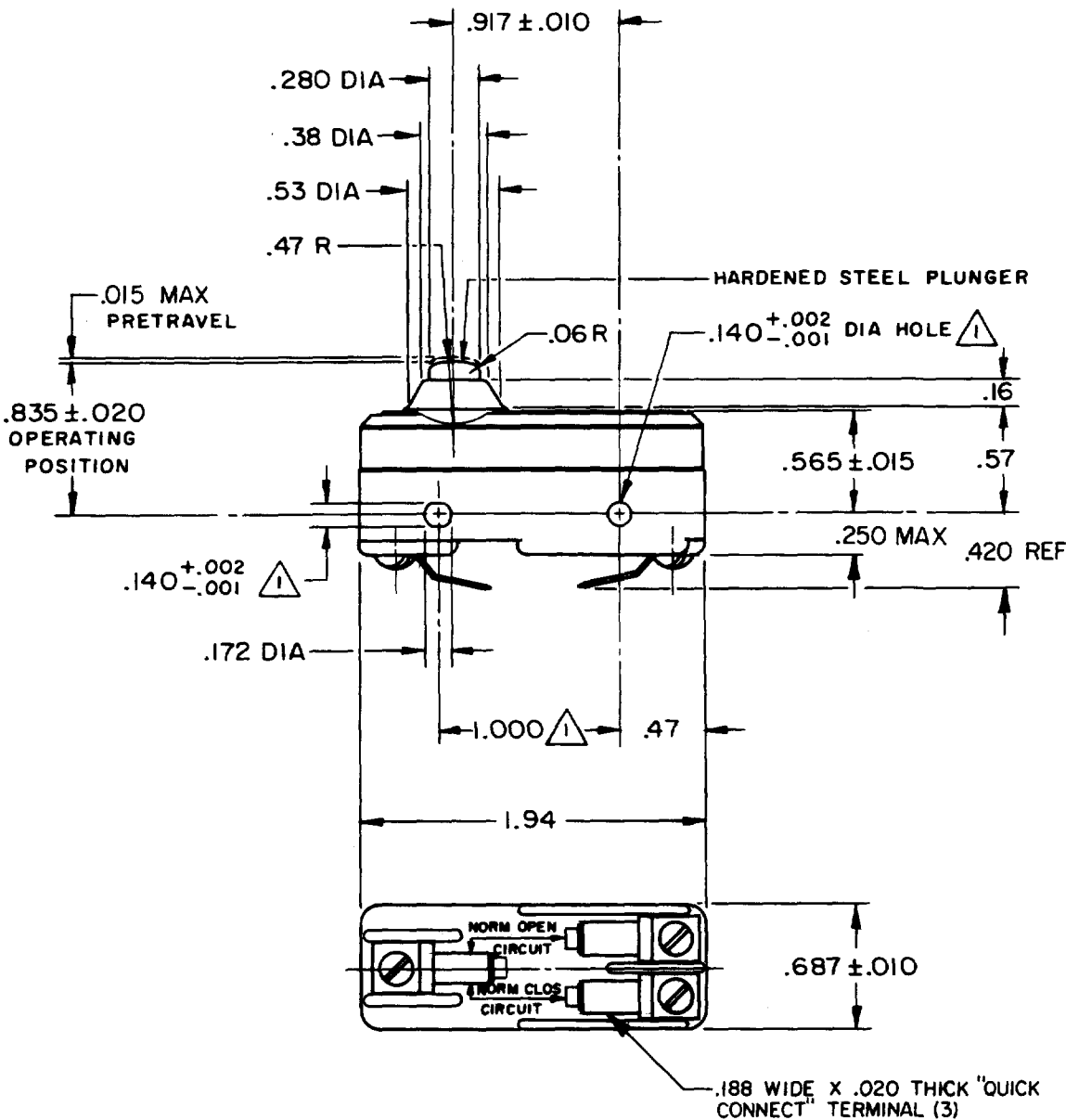
A	CO 58037
1	SMA OCT 85
B	CO 77591
	DAW 22 JUN 94
C	CO93346
	DLT 1 SEP 98
D	CO- 94212-C
	DLT 14 SEP 99

CHECK

17 JAN 83

C E B

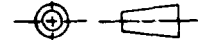
17 JAN 83



NOTE  
 MOUNTING HOLES WILL ACCEPT PINS OR SCREWS  
 OF .139 MAX DIA ON 1.000 ± .002 CENTERS

THIS DRAWING COVERS A PROPRIETARY ITEM AND IS THE PROPERTY OF MICRO SWITCH, A DIVISION OF HONEYWELL. THIS DRAWING IS NOT TO BE COPIED OR USED WITHOUT THE APPROVAL OF MICRO SWITCH.

THIRD ANGLE PROJECTION



### CHARACTERISTICS

OPERATING FORCE ——— 9-13 OZ  
 RELEASE FORCE ——— 4 OZ MIN  
 DIFFERENTIAL TRAVEL ——.0004—.0020  
 OVERTRAVEL ——— .060 MIN

### ELECTRICAL DATA

CONTACT ARRANGEMENT  
S P D T  
 15A-125, 250 OR 480 VAC, 2A-600 VAC  
 1/8 HP-125 VAC; 1/4 HP-250 VAC  
 1/2A-125 VDC; 1/4A-250 VDC  
 CODE L74  
 L288  
 L299  
 L306 16A 250V ~ T85 5E4

SCALE FULL

DO NOT SCALE PRINT

TOLERANCES  
 APPLY TO DESIGN UNITS. CONVERSIONS ARE ONLY FOR  
 REFERENCE. UNLESS NOTED, TOLERANCES ARE ±

	DM. mm	TOL. mm/in	DM. in	TOL. mm/in
NO PLACES	X	17.04		
ONE PLACE	X,X	0.4/.016	X,X	0.87/.03
TWO PLACES	X,X,X	0.16/.006	X,X,X	0.25/.015
THREE PLACES	X,X,X,X		X,X,X,X	0.13/.005
ANGLES				

DESIGN UNITS  SI METRIC  US CUSTOMARY

WEIGHT .051 LB

FORMTEK

FO-52848-A  
DRAWN