

# MICRO SWITCH

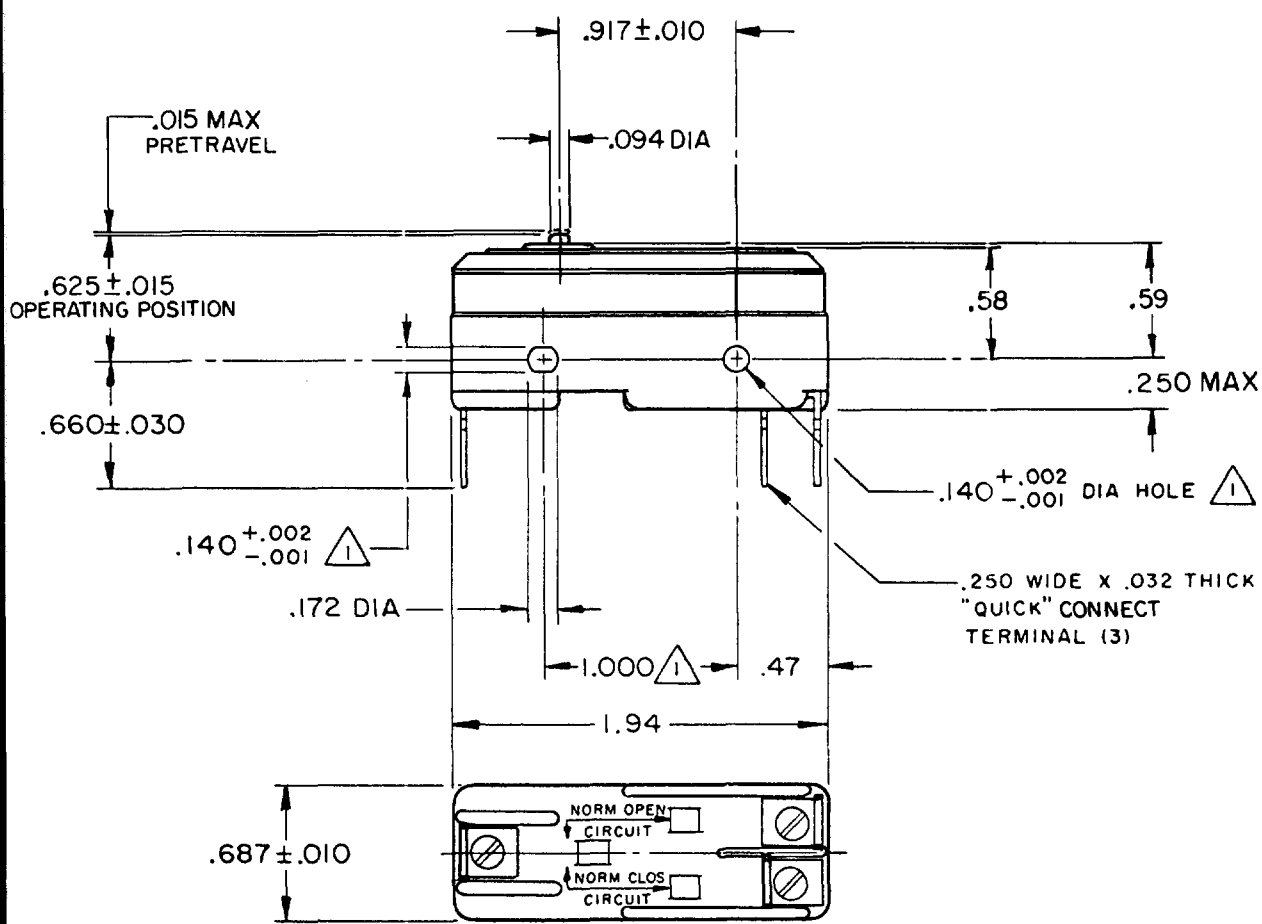
FREEMONT ILLINOIS, U.S.A.  
A DIVISION OF HONEYWELL  
FED. MFG. CODE 91929

# SWITCH - BASIC

CATALOG LISTING

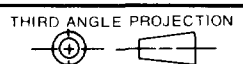
## BZ-2R-D5

**M** BZ-2R-D5  
 DRAWING NUMBER  
 6  
 ISSUE  
 REVISIONS  
 B CO 58037 SMA 1 OCT 85  
 C CO75760  
 D CO-77591  
 E CO93346  
 F CO-94212-C  
 DLT 4 SEP 98  
 DLT 14 SEP 99  
 FORMTEK  
 FO-52848-A  
 DRAWN  
 R E R 30 APR 75 CHECK DJW  
 MAY 75 CHECK  
 APR 75 CHECK  
 REPLACES  
 RELEASE NO. PR-4942  
 PAGE 1 OF 1



**NOTE**  
 MOUNTING HOLES WILL ACCEPT PINS OR SCREWS OF .139 MAX DIA ON 1.000 ± .002 CENTERS

THIS DRAWING COVERS A PROPRIETARY ITEM AND IS THE PROPERTY OF MICRO SWITCH, A DIVISION OF HONEYWELL. THIS DRAWING IS NOT TO BE COPIED OR USED WITHOUT THE APPROVAL OF MICRO SWITCH.



<b>CHARACTERISTICS</b>	<b>ELECTRICAL DATA</b>	<b>SCALE FULL</b>	
		<b>DO NOT SCALE PRINT</b>	
OPERATING FORCE----- 9-13 OZ	CONTACT ARRANGEMENT S P D T	<b>TOLERANCES</b>	
RELEASE FORCE----- 4 OZ MIN	UL LISTED - FILE E12252 CODE L 96 15A-125, 250, 480VAC 1/8HP-125VAC; 1/4HP-250VAC 1/2A-125VDC; 1/4A-250VDC	APPLY TO DESIGN UNITS. CONVERSIONS ARE ONLY FOR REFERENCE. UNLESS NOTED, TOLERANCES ARE ±	
DIFFERENTIAL TRAVEL---.0004-.0020	L288 L299 L306	DIM. mm X X,X X,XX	TOL. mm/in 1/64 0.4/016 0.15/.006
OVERTRAVEL----- .005 MIN	CE D SP 16A 250V ~ T85 5E4	DIM. in X X,X X,XX	TOL. mm/in 0.8/03 0.38/015 0.13/.005
		DESIGN UNITS <input type="checkbox"/> METRIC <input type="checkbox"/>	US CUSTOMARY <input checked="" type="checkbox"/>
		WEIGHT .050 LB	