



MICRO SWITCH

FREEPORT, ILLINOIS, U.S.A.
A DIVISION OF HONEYWELL

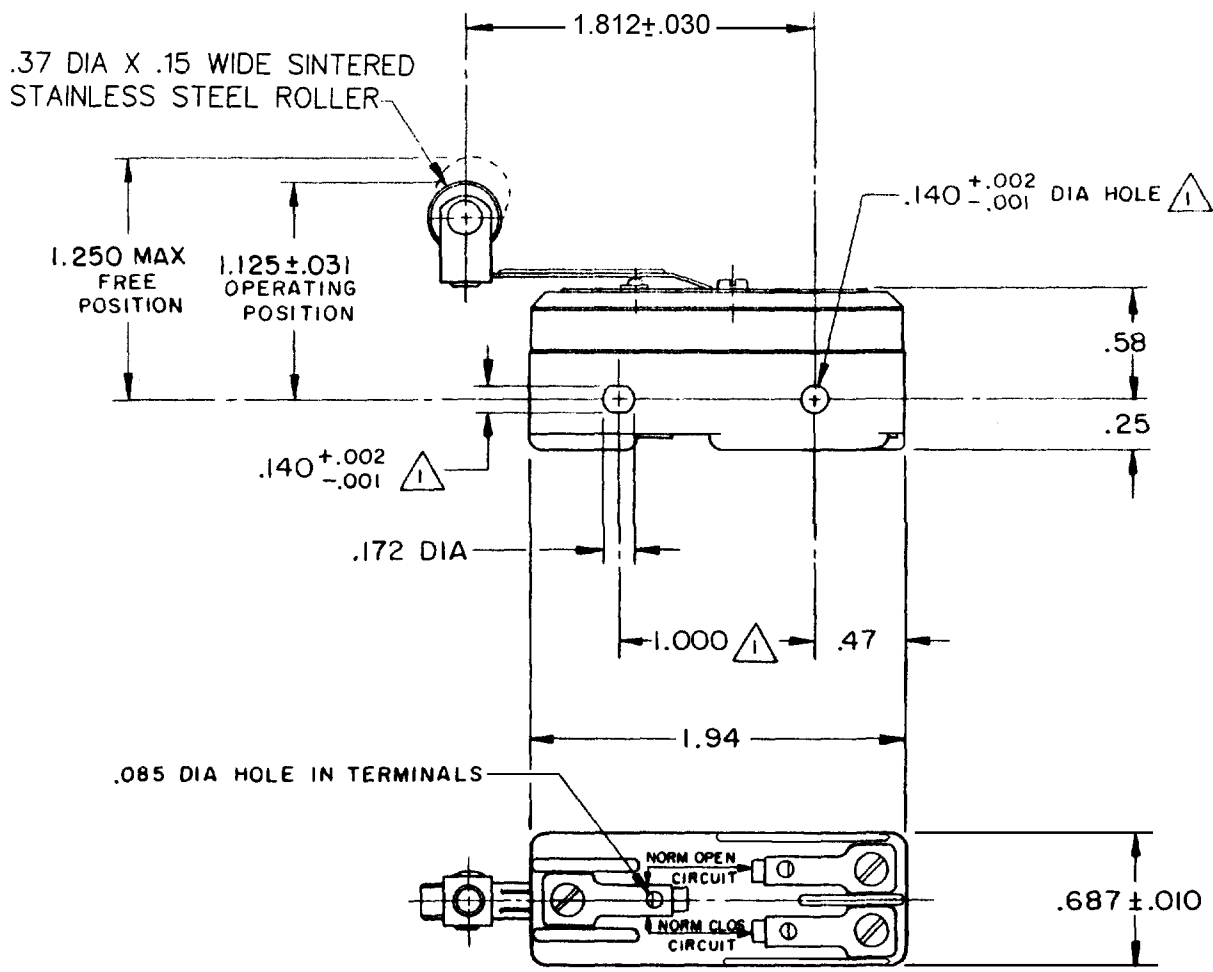
FED. MFG. CODE 91929

SWITCH - BASIC

CATALOG LISTING

BZ-2RL224

CATALOG LISTING
BZ-2RL224
 PAGE 1 OF 1
 REPLACES
 DRAWING NUMBER
M
 ISSUE
7
 REVISIONS
 A CO17410
 G C H
 27 APR 63
 B CO-75204B
 K D R
 1 FEB 94
 C CO-77591
 DAW
 27 JUN 94
 D CO93346
 DLT
 9 SEP 98
 E CO-94212-E
 DCS
 7 SEP 99
 F 204582
 CSL
 14 DEC 01
 CHECK
 K.S.D
 22 MAY 63
 CHECK
 27 APRIL 63
 DRAWN
 RASTER
 FO-50376



NOTES
 1 MOUNTING HOLES WILL ACCEPT PINS OR SCREWS OF .139 MAX DIA ON 1.000 ± .002 CENTERS
 2 - SWITCH WILL WITHSTAND TEMPERATURE OF 250° F

THIS DRAWING COVERS A PROPRIETARY ITEM AND IS THE PROPERTY OF MICRO SWITCH, A DIVISION OF MINNEAPOLIS-HONEYWELL REGULATOR CO. THIS DRAWING IS NOT TO BE COPIED OR USED WITHOUT THE APPROVAL OF MICRO SWITCH.

CHARACTERISTICS	ELECTRICAL DATA	SCALE FULL
OPERATING FORCE ----- 5 OZ MAX	CONTACT ARRANGEMENT S P D T	DO NOT SCALE PRINT
RELEASE FORCE ----- 1/2 OZ MIN	UNDERWRITERS' LAB. INC. LISTED RATING	UNLESS OTHERWISE NOTED
DIFFERENTIAL TRAVEL ----- .050 MAX	-L96- 15 A - 125, 250, OR 480 VAC 1/2 A - 125 VDC; 1/4 A - 250 VDC 1/8 HP - 125 VAC, 1/4 HP - 250 VAC	DIMENSIONS ARE IN INCHES
DO NOT OVERTRAVEL MORE THAN ----- .060	-L288- -L299- -L306- CE D SP 16A 250V ~ T85 5E4	TOLERANCES ARE: ONE PLACE (.0) ±.030 TWO PLACE (.00) ±.015 THREE PLACE (.000) ±.005 ANGLES ±
		WEIGHT .060 LB