

MICRO SWITCH

FREEMONT ILLINOIS, U.S.A.
A DIVISION OF HONEYWELL

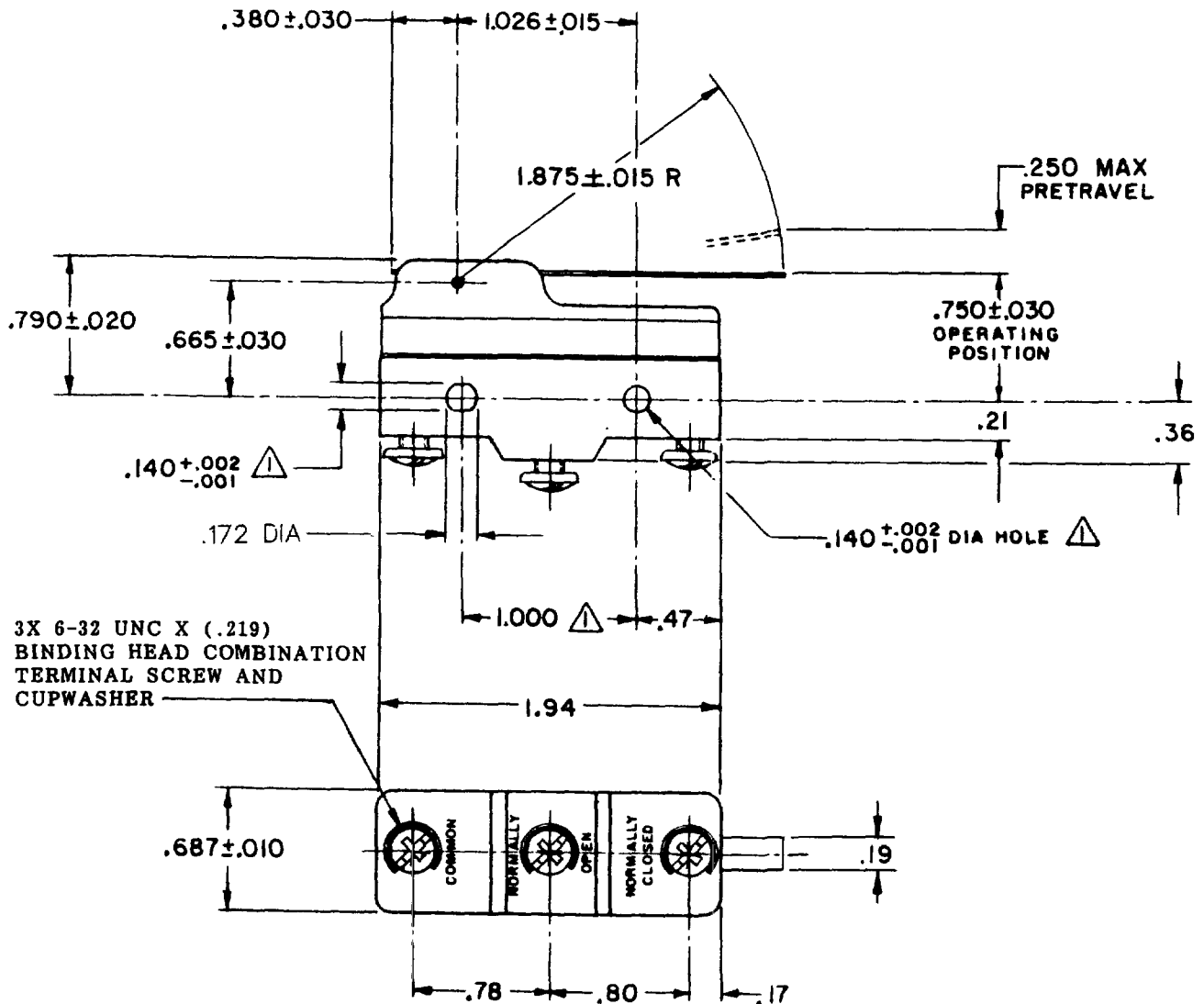
FED. MFG. CODE 91929

SWITCH - BASIC

CATALOG LISTING

BZ-2RW8497-A2

M BZ-2RW8497-A2
 DRAWING NUMBER
 PAGE 1 OF 1
 ISSUE 4
 RELEASE NO. PR-2568
 REPLACES



NOTE
 ▲ MOUNTING HOLES WILL ACCEPT PINS OR SCREWS OF .139 MAX DIA ON 1.000±.002 CENTERS

THIS DRAWING COVERS A PROPRIETARY ITEM AND IS THE PROPERTY OF MICRO SWITCH, A DIVISION OF HONEYWELL. THIS DRAWING IS NOT TO BE COPIED OR USED WITHOUT THE APPROVAL OF MICRO SWITCH.

CHARACTERISTICS	ELECTRICAL DATA	SCALE FULL
OPERATING FORCE - - - - 1/2 OZ MAX	CONTACT ARRANGEMENT S P D T	DO NOT SCALE PRINT
RELEASE FORCE - - - - 1/8 OZ MIN	UNDERWRITERS' LAB. INC. LISTED RATING 15A-125, 250 OR 480 VAC	UNLESS OTHERWISE NOTED DIMENSIONS ARE IN INCHES
DIFFERENTIAL TRAVEL - - - .004 - .037	L08 1/8HP-125 VAC; 1/4HP-250 VAC 1/2A-125 VDC; 1/4A-250 VDC	TOLERANCES ARE:
OVERTRAVEL - - - - .164 MIN	-L288- -L299- -L306- CE D SF 16A 250V ~ T85 5E4	ONE PLACE (.0) ±.030 TWO PLACE (.00) ±.015 THREE PLACE (.000) ±.005 ANGLES
		WEIGHT .073 LB

REVISIONS
 A 100-33287-J
 J A L
 22 NOV 93
 B 100-77589
 T S M
 29 MAR 94
 C 100-093346
 D L T
 17 SEP 98
 CHECK 72
 18 APR 72
 CHECK GCH
 8 APR 72
 CHECK USD
 17 APR 72
 DRAWN
 FORMTEK
 10-80378-1A