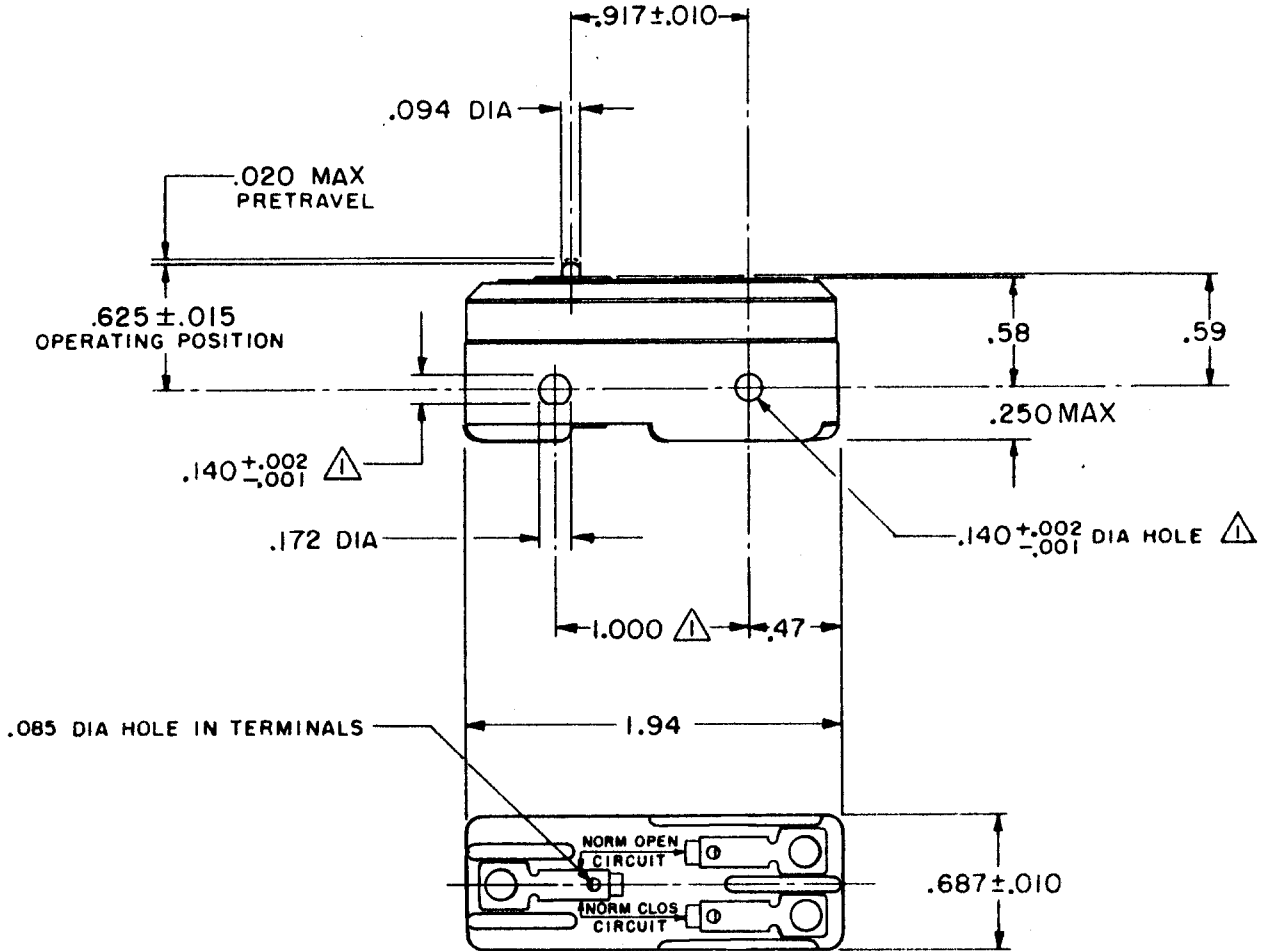


**BZ-3R**  
 PAGE 1 OF 1  
**M**  
 DRAWING NUMBER  
 ISSUE 13  
 REVISIONS  
 A CO17410  
 G C H  
 22 MAR 63  
 B CO31863  
 S R H  
 27 MAR 73  
 C CO 46304  
 R J H  
 21 NOV 79  
 D CO 58037  
 S M A  
 1 OCT 85  
 E CO-78874  
 DLT  
 17 NOV 94  
 F CO93346  
 DLT  
 1 SEP 98  
 G CO-84234  
 L J K  
 8 MAR 99  
 FORMTEK  
 FO-50376  
 DRAWN  
 G C H  
 22 MAR 63  
 CHECK  
 L.S.D. 26 MAR 63  
 CHECK  
 REPLACES  
 RELEASE NO.



NOTE  
 ▲ - MOUNTING HOLES WILL ACCEPT PINS OR SCREWS OF .139 MAX DIA ON 1.000 ± .002 CENTERS

THIS DRAWING COVERS A PROPRIETARY ITEM AND IS THE PROPERTY OF MICRO SWITCH, A DIVISION OF MINNEAPOLIS-HONEYWELL REGULATOR CO. THIS DRAWING IS NOT TO BE COPIED OR USED WITHOUT THE APPROVAL OF MICRO SWITCH.

CHARACTERISTICS	ELECTRICAL DATA	SCALE FULL
OPERATING FORCE ----- 14 - 20 OZ	CONTACT ARRANGEMENT S P D T	DO NOT SCALE PRINT
RELEASE FORCE ----- 4 OZ MIN	UNDERWRITERS' LAB. INC. LISTED RATING 15A-125, 250 OR 480 VAC, 2A-600 VAC -L74- 1/8HP-125 VAC; 1/4HP-250 VAC 1/2A-125 VDC; 1/4A-250 VDC	UNLESS OTHERWISE SPECIFIED DIMENSIONS ARE IN INCHES <b>TOLERANCES ARE:</b> ONE PLACE (.0) ±.030 TWO PLACE (.00) ±.015 THREE PLACE (.000) ±.005 ANGLES ±
DIFFERENTIAL TRAVEL ----- .0008 - .0030		-L288- -L299- -L306-
OVERTRAVEL ----- .005 MIN	CE D SP 16A 250V ~ T85 5E4	