

MICRO SWITCH
a Honeywell Division

FED. MFG. CODE 91929

SWITCH - BASIC

CATALOG LISTING

BZ-3RDS152T-S

CATALOG LISTING
BZ-3RDS152T-S

PAGE 1 OF 1

REPLACES

RELEASE NO. PR-7480

ISSUE
M
6

CHECK

REVISIONS

| | |
|-----------|---------|
| A | C083108 |
| G J W | |
| 12 JUN 96 | |
| B | C093346 |
| DLT | |
| 12 AUG 98 | |

CHECK

27 JUN 96

W J C

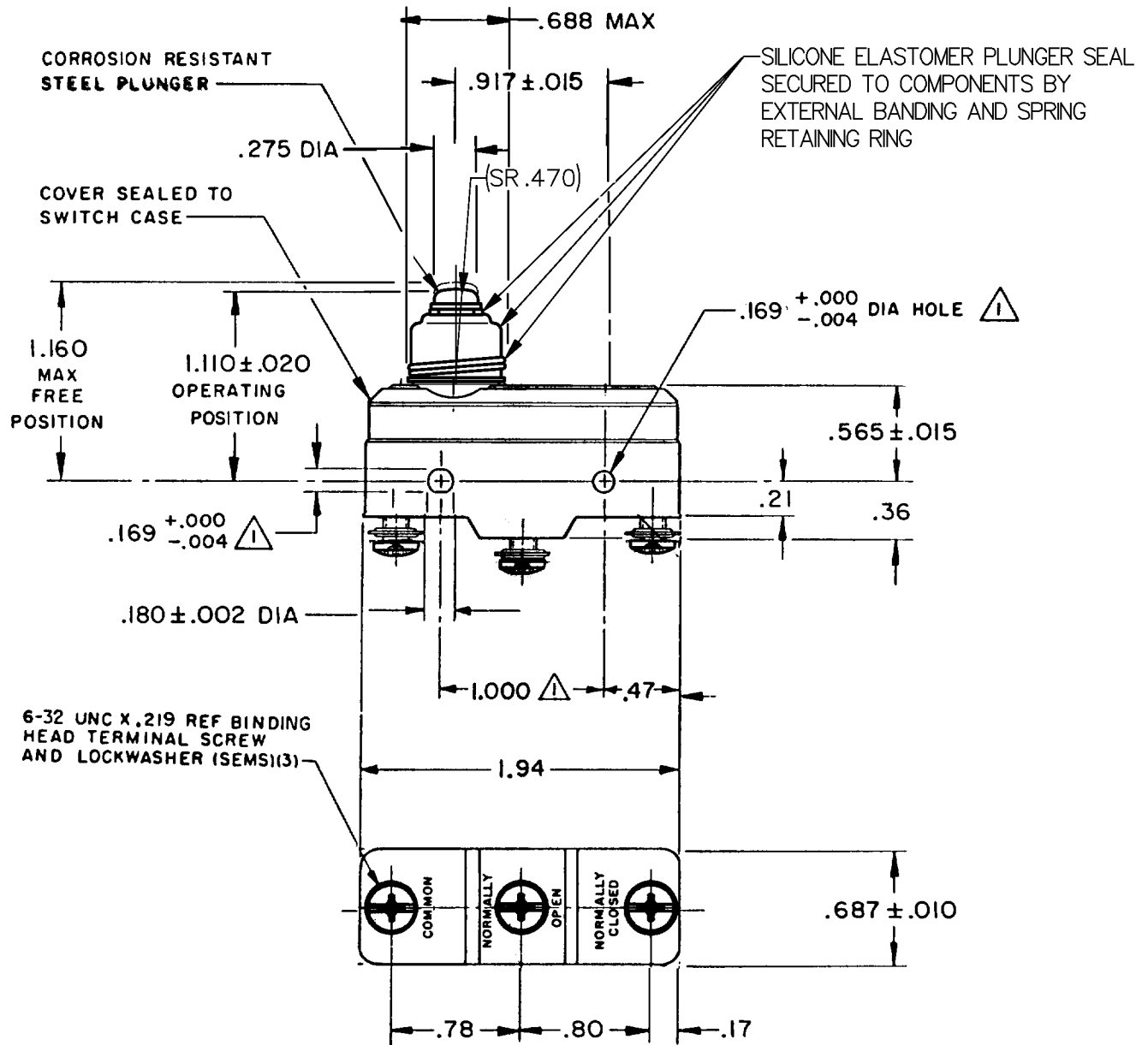
CHECK


12 JUN 96

G J W

FORMTEK

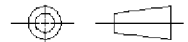
DRAWN



NOTE -
 **MOUNTING HOLES WILL ACCEPT PINS OR SCREWS OF .165 MAX DIA ON 1.000 ± .002 CENTERS**
2 - SEALED CONSTRUCTION PROVIDES SPLASH RESISTANCE

THIS DRAWING COVERS A PROPRIETARY ITEM AND IS THE PROPERTY OF MICRO SWITCH, A DIVISION OF HONEYWELL. THIS DRAWING IS NOT TO BE COPIED OR USED WITHOUT THE APPROVAL OF MICRO SWITCH.

THIRD ANGLE PROJECTION



| CHARACTERISTICS | ELECTRICAL DATA | SCALE FULL | DO NOT SCALE PRINT |
|-------------------------------------|---|---|--------------------|
| | | UNLESS OTHERWISE SPECIFIED TOLERANCES ARE | |
| OPERATING FORCE --- 12-20 OZ | CONTACT ARRANGEMENT SPDT | ONE PLACE (.0) | ±.030 |
| RELEASE FORCE ----- 4 OZ MIN | L9 10A 125, <u>250</u> OR 480 VAC 1/2 A 125 VDC, 1/4 A 250 VDC | TWO PLACE (.00) | ±.015 |
| DIFFERENTIAL TRAVEL --- .0008-.0035 | UL SP CE L288 | THREE PLACE (.000) | ±.005 |
| OVERTRAVEL ----- .060 MIN | | ANGLES | ± |
| | | WEIGHT | .076 LB |