

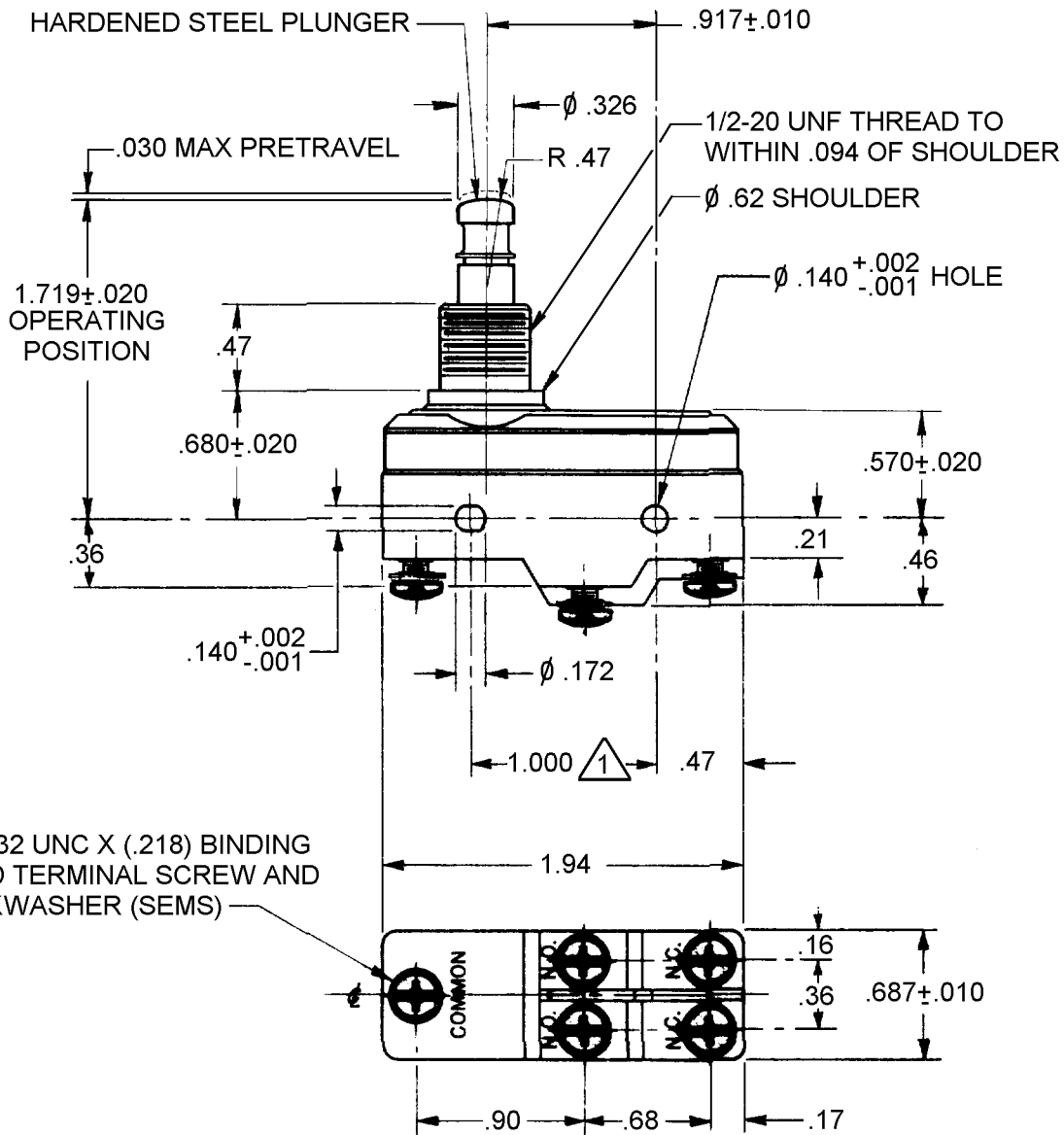
MICRO SWITCH

A DIVISION OF MINNEAPOLIS-HONEYWELL REGULATOR COMPANY
SPRINGFIELD, MASSACHUSETTS

FED. MFR. CODE 91929

SWITCH - BASIC

CATALOG LISTING
BZ-3YN703



- NOTES
- 1 MOUNTING HOLES WILL ACCEPT PINS OR SCREWS OF ϕ .139 MAX ON 1.000 ± .002 CENTERS
 - 2 SWITCH WILL PERFORM SATISFACTORILY IN TEMPERATURES TO -65° F

ANSI Y14.5M-1982 APPLIES

THIS DRAWING COVERS A PROPRIETARY ITEM AND IS THE PROPERTY OF MICRO SWITCH, A DIVISION OF HONEYWELL. THIS DRAWING IS NOT TO BE COPIED OR USED WITHOUT THE APPROVAL OF MICRO SWITCH.

CHARACTERISTICS	ELECTRICAL DATA	SCALE FULL
OPERATING FORCE - - - - - 16-26 OZ.	CONTACT ARRANGEMENT SINGLE POLE DOUBLE THROW SPLIT CONTACT	DO NOT SCALE PRINT
RELEASE FORCE - - - - - 4 OZ. MIN.	L4 5A 250 VAC	UNLESS OTHERWISE SPECIFIED DIMENSIONS ARE IN INCHES TOLERANCES ARE:
DIFFERENTIAL TRAVEL - - - - .001-.004		ONE PLACE (.0) ± .030
OVERTRAVEL - - - - - .219 MIN.		TWO PLACE (.00) ± .015
		THREE PLACE (.000) ± .008
		ANGLES ±
		WEIGHT .092 LB.

CATALOG LISTING
BZ-3YN703
PAGE 1 OF 1

ISSUE **M**
6

REPLACES
CWT 8 FEB 57
PW 4 FEB 57
DCH 12 FEB 57

REVISIONS

A	C034304	R E R	17 FEB 75
B	C036332	R E R	14 JAN 76
C	CO-69351-D	JWB	18 JUL 91
D	CO-77590	SAD	10 JUN 94
E	204823	CSL	5 FEB 02

74-86
DRAWN
R.E.R. 30 JAN. 57