

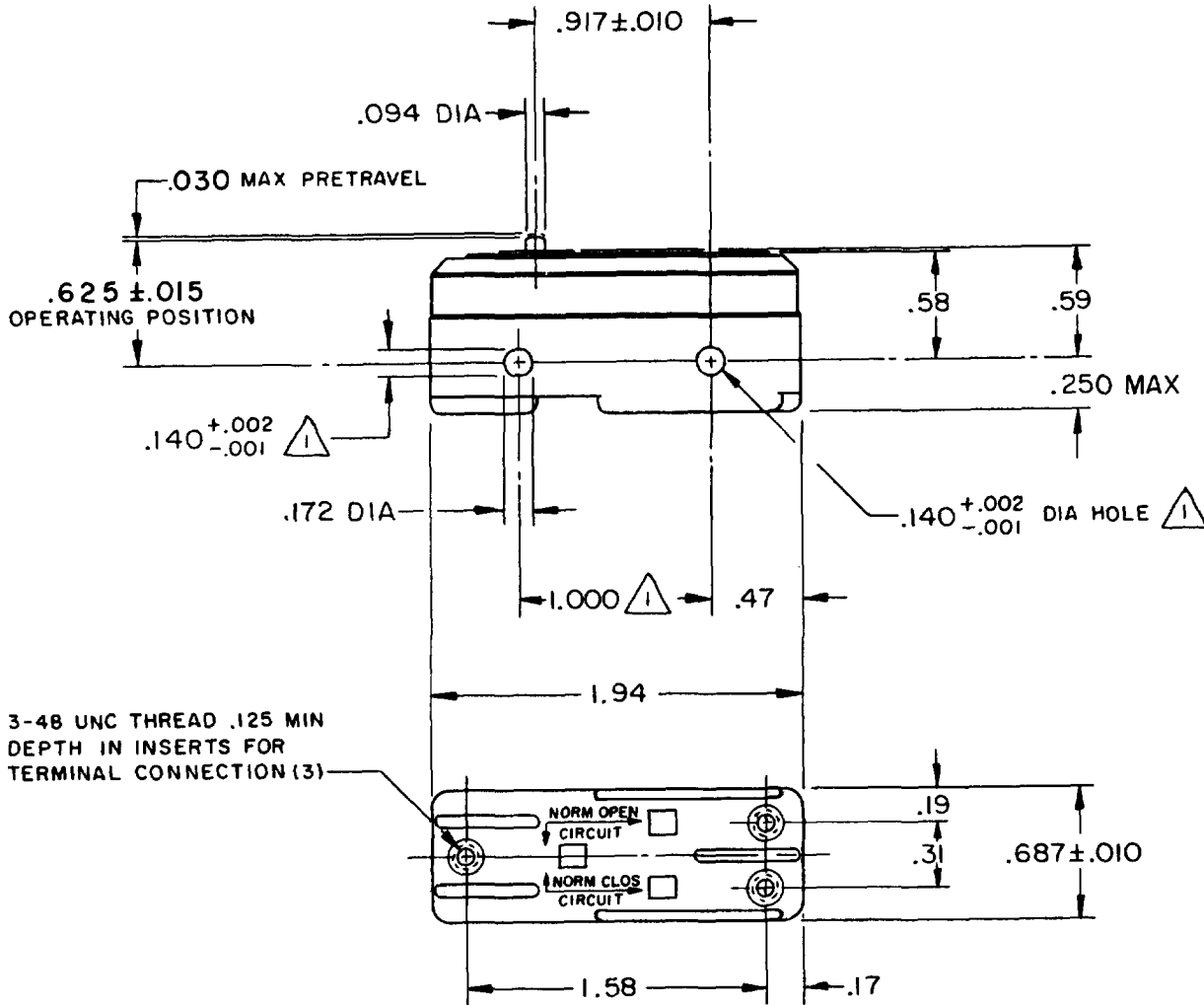
# MICRO SWITCH

FREEPORT ILLINOIS, U.S.A  
A DIVISION OF HONEYWELL  
FED. MFG. CODE 91929

# SWITCH - BASIC

CATALOG LISTING

## BZ-7R277



**NOTE**  
 MOUNTING HOLES WILL ACCEPT PINS OR SCREWS  
 OF .139 MAX DIA ON 1.000±.002 CENTERS

THIS DRAWING COVERS A PROPRIETARY ITEM AND IS THE PROPERTY OF MICRO SWITCH, A DIVISION OF HONEYWELL. THIS DRAWING IS NOT TO BE COPIED OR USED WITHOUT THE APPROVAL OF MICRO SWITCH.

THIRD ANGLE PROJECTION

CHARACTERISTICS	
OPERATING FORCE	----- 22-28 OZ.
RELEASE FORCE	----- 4 OZ MIN
DIFFERENTIAL TRAVEL	--- .004 MIN
OVERTRAVEL	----- .005 MIN

ELECTRICAL DATA	
CONTACT ARRANGEMENT S P D T	
UL LISTED-FILE E17752 15A-125, 250 OR 480 VAC, 2A-60/1 VAC 1/8 HP-125 VAC; 1/4 HP-250 VAC 1/2A-125 VDC; 1/4A-250 VDC	
CODE L74	
L288	
L299	
L306	
 16A 250V ~ T85 5E4	

SCALE FULL			
DO NOT SCALE PRINT			
TOLERANCES			
APPLY TO DESIGN UNITS. CONVERSIONS ARE ONLY FOR REFERENCE. UNLESS NOTED, TOLERANCES ARE ±			
DIM.	TOL.	DIM.	TOL.
mm	mm/in	in	mm/in
NO PLACES	X	1/04	
ONE PLACE	XX	0.4/016	X X 0.8/03
TWO PLACES	X,XX	0.15/.006	X XX 0.38/.015
THREE PLACES	X,XXX		X XXX 0.13/.005
ANGLES			
DESIGN UNITS		SI METRIC	
		US CUSTOMARY	
WEIGHT		.050 LB	

**BZ-7R277**  
 PAGE 1 OF 1  
 RELEASE NO. PR-7212  
 REPLACES  
 DRAWING NUMBER  
**6**  
 ISSUE  
 CHECK  
 REVISIONS  

A	PR 7212	RJW	22 JUN 78
B	CO 58037	SMA	1 OCT 85
C	CO-77591	DAW	22 JUN 94
D	CO93346	DLT	1 SEP 98
E	CO-94212-C	DLT	15 SEP 99

 CHECK  
**23 JUNE 78**  
 CHECK  
**22 JUN 78**  
 DRAWN  
**FORMTEK**  
 FO-52848-A